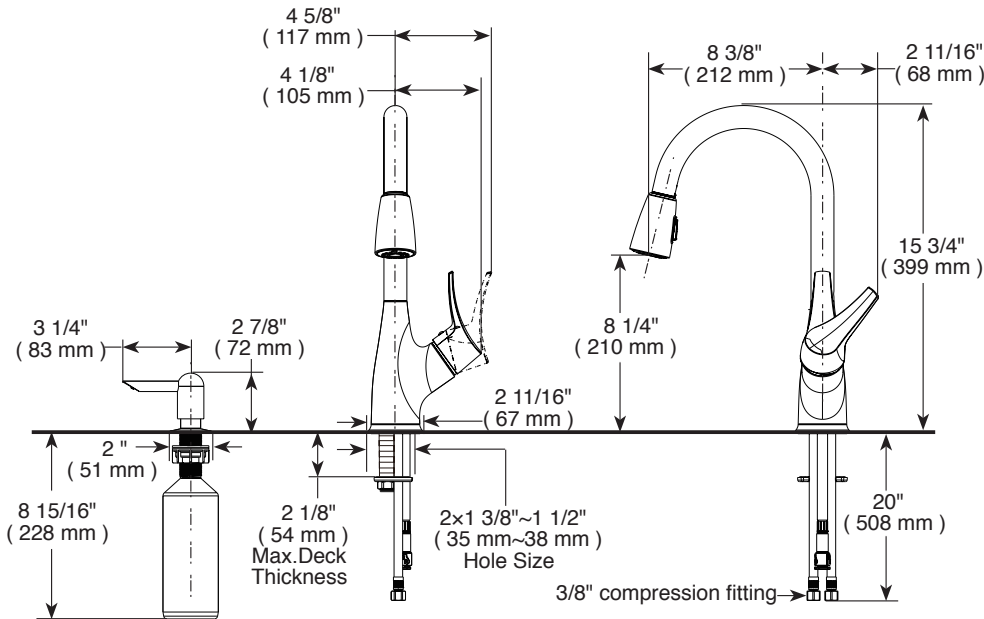


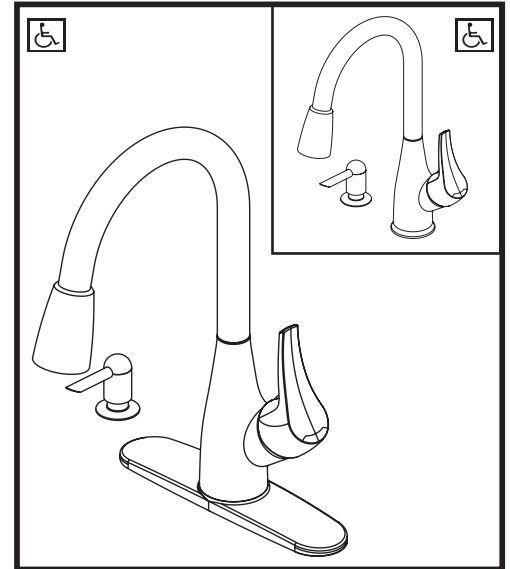
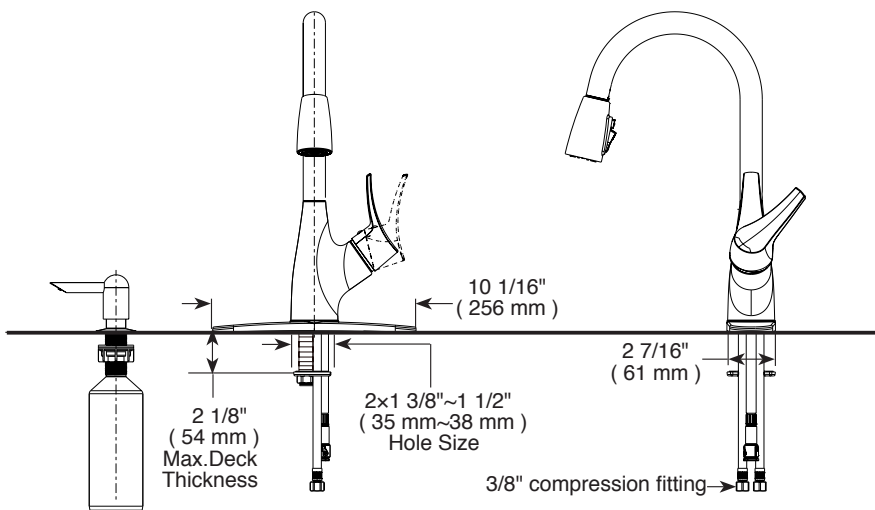
PEERLESS®

P7901LF-▲SD-W

Mounting without escutcheon plate:



Mounting with escutcheon plate:



KITCHEN FAUCET:

■ Single handle pull-down

STANDARD SPECIFICATIONS:


- Maximum flow rate 1.5 gpm @ 60 psi, 5.7 L/min @ 414kPa.
- Single handle, 3-function pull-down kitchen faucet for exposed mounting on 1,2,3,4 hole sinks (escutcheon included).
- 15 3/4" (399mm) high, 8 3/8" (212 mm) long spout, swings 360°.
- Pull-down wand operates in an aerated stream, power spray or spray mode via a toggle diverter with 24" (610 mm) hose.
- Polymer braided flexible supply hose with 3/8" compression fitting - 20" (508 mm) long.
- Lever handle with ceramic cartridge.
- Model includes soap dispenser.

WARRANTY:

- Parts and Finish - Lifetime limited warranty; or for commercial purchasers, 10 years for multi-family residential (apartments and condominiums) and 5 years for all other commercial uses, in each case from the date of purchase.

COMPLIES WITH:

- ASME A112.18.1 / CSA B125.1

Indicates compliance to
 ICC/ANSI A117.1