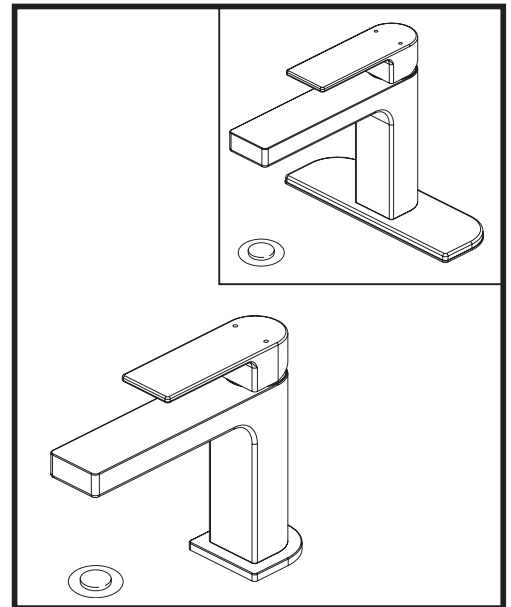
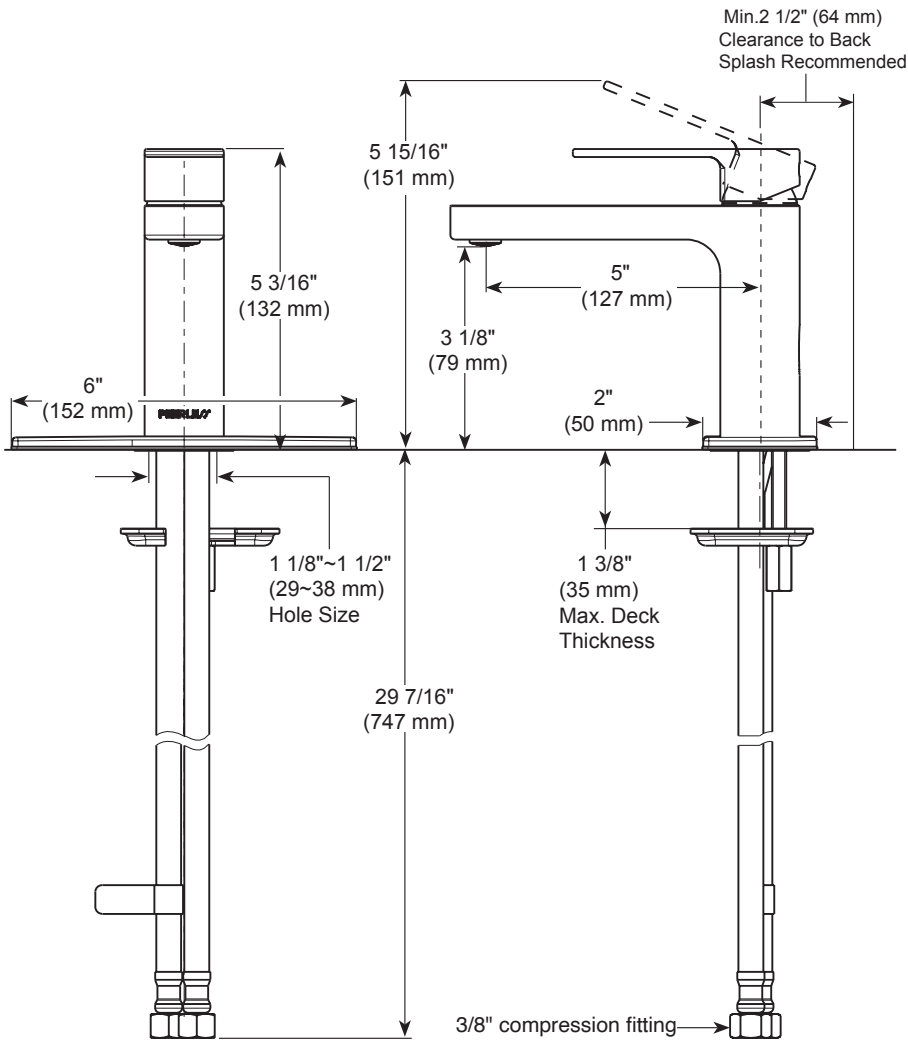


PEERLESS®

P1519LF▲
 P1519LF▲-M
 P1519LF▲-LPU
 P1519LF▲-0.5
 P1519LF▲-M-0.5
 P1519LF▲-LPU-0.5



BATHROOM FAUCET

- Single Handle Deck Mount
- 1 or 3 Hole Sink Applications

STANDARD SPECIFICATIONS:

- Maximum 1.0 gpm @ 60 psi, 3.8 L/min @ 414 kPa (P1519LF▲, P1519LF▲-M & P1519LF▲-LPU)
- Maximum 0.5 gpm @ 60 psi, 1.9 L/min @ 414 kPa (P1519LF▲-0.5, P1519LF▲-M-0.5 & P1519LF▲-LPU-0.5)
- Solid brass casted body
- One or three hole mount (escutcheon optional, included)
- Ceramic cartridge
- Red/Blue indicator markings
- Polymer braided flexible supply hose with 3/8" compression fitting - 29 7/16" (747mm) long
- Models have 50/50 push pop-up
- Models with suffix "M" have metal push pop-up
- Models with suffix "LPU" are less pop-up

WARRANTY:

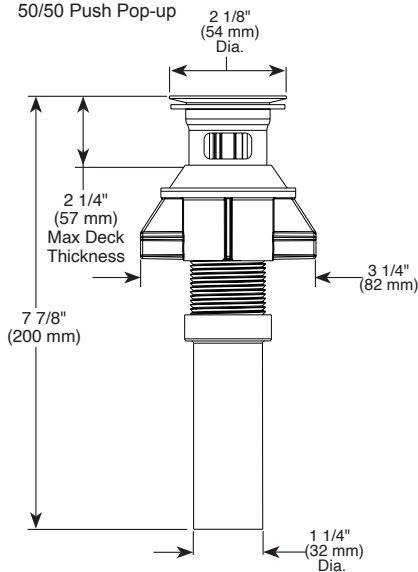
- Parts and Finish - Lifetime limited warranty; or for commercial purchasers, 10 years for multi-family residential (apartments and condominiums) and 5 years for all other commercial uses, in each case from the date of purchase.



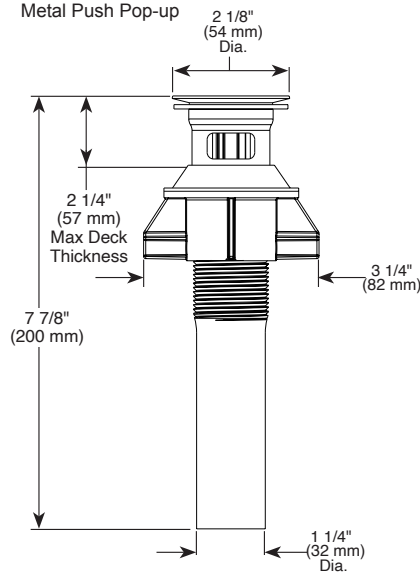
COMPLIES WITH:

- ASME A112.18.1 / CSA B125.1
- ASME A112.18.2 / CSA B125.2
- ♿ Indicates compliance to ICC / ANSI A117.1
- EPA WaterSense® - Applies to P1519LF▲, P1519LF▲-M & P1519LF▲-LPU only

RP103419▲
50/50 Push Pop-up



RP103420▲
Metal Push Pop-up



▲ Designate proper finish suffix