

PRPAC14

PRODUCT SPECIFICATIONS

14 SEER ELECTRIC/ELECTRIC PACKAGED UNIT

FORM NO. PRPAC14-100 (11/2022)

REFRIGERANT SYSTEM

- Environmentally friendly R410A refrigerant
- Copper tubing with enhanced fin coils
- Internal service gauge ports
- Sleeved distributor tubes
- Antimicrobial insulated drain pan
- High and Low Threaded pressure switches for system protection

CABINET CONSTRUCTION

- Heavy-gauge galvanized steel base rails with rigging holes
- Rounded corners for safety and an attractive, clean appearance
- One piece base design for strength and stability
- Condensate and coil runoff drains to the perimeter of the unit
- Horizontal and downflow duct openings are flanged to minimize water entry
- Low profile, with compact footprint
- Insulation to minimize heat loss plus reduce sound
- Textured pre-painted steel cabinet finish
- Superior service access to components
- Louvered coil guard protection
- One piece “no leak” top design

BLOWER

- Insulated compartment to reduce sound
- Efficient constant torque motor for wide airflow range
- Slide out blower housing for easy service

INSTALLATION

- Horizontal or down discharge capable
- Horizontal and downflow duct covers provided with unit for installation flexibility
- Drain pan float switch monitors condensate level in drain pan and shuts down unit if drain becomes clogged
- Utility connections on “right side”
- Kits enable bottom gas and power entry through base pan
- Seismic Certification (with Seismic Strapping Kit applied): Latest Edition of International Building Code, California Building Code, and ASCE 7-16

ACCESSORIES

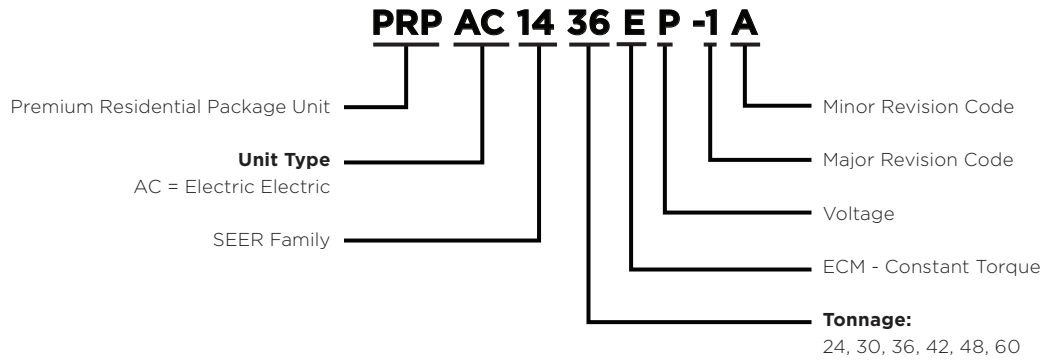
- Clip roof curbs and adjustable pitch roof curbs available
- Internal filter kits
- Electric strip heat with optional single point power entry (side entry only)
- Duct adapters
- Closure kit for base rail openings



WARRANTY

10 year limited parts and compressor warranty. See limited warranty document for details.

MODEL NUMBER GUIDE



ELECTRICAL AND PHYSICAL DATA

Model	Voltage	Phase	Hz	Min Volts @ 60 hz	MCA	Max Fuse/HACR Breaker	Compressor		Condenser Motor		Blower Motor		Refrig. Charge (oz.)	Weight (lbs.)
							RLA	LRA	RLA	HP	RLA	HP		
PRPAC1424	208-230	1	60	197	14.4	20	8.5	43.5	1.0	1/6	2.8	1/3	76	367
PRPAC1430					18.2	25	10.5	47.0			4.1	1/2	80	379
PRPAC1436					22.7	30	14.1	72.2			4.1	1/2	81	387
PRPAC1442					26.1	35	14.7	113.0	1.7	1/4	6.0	3/4	94	460
PRPAC1448					29.3	40	17.3	103.0			6.0	3/4	107	461
PRPAC1460					35.8	50	22.2	127.9			6.3	1.0	135	503

PERFORMANCE

Model	Cooling				Sound dBA
	Rated AHRI Capacity Btuh (SEER / SEER2)	Efficiency		Rated Sensible Capacity Btuh	
		SEER / EER	SEER2 / EER2		
PRPAC1424	22,600 / 22,600	14.0 / 11.0	13.4 / 10.6	17,400 / 16,900	77
PRPAC1430	28,400 / 28,400			21,900 / 21,800	79
PRPAC1436	34,000 / 33,400			26,100 / 25,700	78
PRPAC1442	40,000 / 40,000			30,800 / 30,800	78
PRPAC1448	45,500 / 44,500			35,000 / 34,200	77
PRPAC1460	57,000 / 57,500			41,600 / 41,900	78

*Certified in accordance with Unitary Air Conditioner Certification Program, which is based on AHRI Standard 210/240

BLOWER PERFORMANCE

Model	Blower Tap	CFM @ ext. Static Pressure in in. wc without filter, dry coil									
		0.1	0.2	0.3	0.4	0.5	0.6	0.7	0.8	0.9	1.0
PRPAC1424	TAP 1	610	560	525	485	430	0	0	0	0	0
	TAP 2	820	795	760	720	690	650	615	575	540	470
	TAP 3	960	925	885	850	815	780	745	710	675	635
PRPAC1430	TAP 1	850	820	780	745	710	680	630	590	550	515
	TAP 2	1040	1000	970	935	900	875	845	815	770	735
	TAP 3	1140	1105	1075	1045	1015	1000	965	925	890	825
PRPAC1436	TAP 1	850	800	750	700	645	600	550	480	435	0
	TAP 2	1245	1210	1175	1140	1100	1065	1025	975	920	845
	TAP 3	1390	1355	1320	1285	1250	1205	1165	1125	1050	875
PRPAC1442	TAP 1	800	720	640	550	475	390	310	0	0	0
	TAP 2	1470	1410	1360	1300	1260	1210	1155	1095	1000	940
	TAP 3	1600	1555	1510	1470	1430	1390	1340	1265	1210	1155
PRPAC1448	TAP 1	1145	1075	1000	930	850	790	740	670	570	490
	TAP 2	1675	1630	1600	1540	1490	1440	1390	1300	1230	1125
	TAP 3	1775	1735	1700	1660	1605	1555	1515	1455	N/A	N/A
PRPAC1460	TAP 1	1045	970	895	820	745	665	580	480	N/A	N/A
	TAP 2	1855	1810	1770	1725	1680	1630	1595	1550	N/A	N/A
	TAP 3	1965	1920	1875	1835	1785	1750	1710	1665	1615	1570

COOLING PERFORMANCE - EXTENDED RATINGS

Outdoor Model	Indoor Temp DB/ WB °F	Outdoor Temperature - DB °F														
		65°			82° / 67°			95° / 75°			105° / 85°			115° / 95°		
		Btuh	S/T	kW	Btuh	S/T	kW	Btuh	S/T	kW	Btuh	S/T	kW	Btuh	S/T	kW
PRPAC1424	85 / 72	28,500	0.65	1.35	26,400	0.67	1.66	24,900	0.69	1.88	23,500	0.71	2.08	22,000	0.73	2.27
	80 / 67	26,300	0.70	1.37	24,300	0.72	1.66	22,600	0.75	1.88	21,600	0.77	2.06	20,200	0.79	2.25
	75 / 63	24,500	0.73	1.38	22,700	0.75	1.66	21,400	0.77	1.88	20,200	0.79	2.05	18,900	0.81	2.24
	75 / 57	22,600	0.96	1.39	21,000	0.99	1.66	20,000	1.00	1.87	19,000	1.00	2.04	17,900	1.00	2.22
PRPAC1430	85 / 72	36,800	0.65	1.84	33,600	0.68	2.19	31,400	0.71	2.46	29,600	0.73	2.67	27,500	0.75	2.88
	80 / 67	33,900	0.71	1.78	30,900	0.74	2.14	28,400	0.77	2.41	27,200	0.79	2.62	25,300	0.82	2.84
	75 / 63	31,600	0.73	1.73	28,800	0.76	2.09	27,000	0.79	2.37	25,400	0.81	2.58	23,600	0.84	2.79
	75 / 57	29,100	0.99	1.67	26,900	1.00	2.04	25,400	1.00	2.33	24,100	1.00	2.55	22,700	1.00	2.77
PRPAC1436	85 / 72	41,000	0.66	2.06	38,500	0.68	2.48	36,500	0.71	2.81	34,500	0.73	3.11	32,200	0.75	3.47
	80 / 67	37,900	0.72	2.07	35,600	0.74	2.48	34,000	0.77	2.80	31,800	0.79	3.10	29,600	0.81	3.44
	75 / 63	35,300	0.75	2.07	33,200	0.76	2.48	31,400	0.79	2.79	29,600	0.81	3.09	27,600	0.84	3.44
	75 / 57	32,700	1.00	2.08	30,900	1.00	2.48	29,500	1.00	2.78	28,100	1.00	3.08	26,400	1.00	3.43
PRPAC1442	85 / 72	50,300	0.67	2.48	46,700	0.69	3.04	44,200	0.71	3.46	41,600	0.73	3.83	38,600	0.76	4.25
	80 / 67	46,400	0.73	2.50	42,900	0.75	3.05	40,000	0.77	3.46	38,300	0.80	3.83	35,500	0.83	4.25
	75 / 63	43,200	0.75	2.51	40,000	0.77	3.05	38,100	0.80	3.46	35,800	0.82	3.83	33,100	0.85	4.26
	75 / 57	40,300	0.99	2.51	37,800	1.00	3.05	36,000	1.00	3.45	34,200	1.00	3.83	32,000	1.00	4.26
PRPAC1448	85 / 72	56,000	0.66	2.83	52,300	0.68	3.38	49,000	0.71	3.82	46,400	0.73	4.23	43,600	0.75	4.68
	80 / 67	51,600	0.72	2.84	48,300	0.75	3.37	45,500	0.77	3.80	42,700	0.79	4.21	40,100	0.82	4.66
	75 / 63	48,200	0.75	2.85	45,000	0.77	3.36	42,100	0.80	3.79	39,900	0.81	4.19	37,400	0.84	4.64
	75 / 57	44,600	1.00	2.85	42,000	1.00	3.36	39,600	1.00	3.78	37,700	1.00	4.19	35,700	1.00	4.64
PRPAC1460	85 / 72	71,300	0.64	3.59	66,700	0.66	4.31	62,900	0.67	4.90	59,800	0.69	5.42	56,300	0.71	6.03
	80 / 67	66,100	0.70	3.60	61,800	0.72	4.31	57,000	0.73	4.89	55,300	0.75	5.41	52,000	0.77	6.01
	75 / 63	61,900	0.72	3.61	57,800	0.74	4.30	54,400	0.76	4.88	51,700	0.77	5.40	48,500	0.79	6.00
	75 / 57	57,200	0.97	3.61	53,500	1.00	4.30	50,600	1.00	4.87	48,300	1.00	5.38	45,600	1.00	5.98

NOTE: Values based on 0.50" w.c. external static pressure

COOLING PERFORMANCE - EXTENDED RATINGS

Outdoor Model	Indoor Temp DB/ WB °F	Outdoor Temperature - DB °F														
		65°			82° / 67°			95° / 75°			105° / 85°			115° / 95°		
		Btuh	S/T	kW	Btuh	S/T	kW	Btuh	S/T	kW	Btuh	S/T	kW	Btuh	S/T	kW
PRPAC1424	85 / 72	28,200	0.65	1.44	26,100	0.67	1.74	24,600	0.69	1.97	23,200	0.70	2.16	21,700	0.72	2.36
	80 / 67	26,000	0.70	1.45	24,100	0.72	1.75	22,600	0.75	1.97	21,300	0.76	2.15	20,000	0.79	2.34
	75 / 63	24,200	0.72	1.47	22,400	0.74	1.75	21,100	0.77	1.96	19,900	0.79	2.14	18,600	0.81	2.32
	75 / 57	22,300	0.96	1.47	20,700	0.99	1.74	19,700	1.00	1.95	18,700	1.00	2.12	17,600	1.00	2.30
PRPAC1430	85 / 72	36,600	0.65	1.90	33,400	0.67	2.26	31,200	0.71	2.53	29,300	0.72	2.74	27,300	0.75	2.94
	80 / 67	33,700	0.71	1.84	30,700	0.73	2.20	28,400	0.77	2.48	27,000	0.79	2.69	25,100	0.82	2.90
	75 / 63	31,400	0.73	1.79	28,600	0.76	2.15	26,800	0.79	2.43	25,100	0.81	2.64	23,400	0.84	2.86
	75 / 57	28,900	0.99	1.73	26,700	1.00	2.11	25,200	1.00	2.39	23,900	1.00	2.61	22,500	1.00	2.83
PRPAC1436	85 / 72	40,900	0.66	2.10	38,400	0.68	2.53	36,300	0.70	2.86	34,300	0.72	3.16	32,100	0.75	3.51
	80 / 67	37,700	0.72	2.11	35,400	0.74	2.53	33,500	0.77	2.84	31,600	0.79	3.14	29,500	0.81	3.49
	75 / 63	35,200	0.74	2.12	33,000	0.76	2.52	31,200	0.79	2.83	29,500	0.81	3.14	27,400	0.84	3.48
	75 / 57	32,500	1.00	2.13	30,800	1.00	2.52	29,400	1.00	2.83	27,900	1.00	3.13	26,300	1.00	3.48
PRPAC1442	85 / 72	50,100	0.67	2.57	46,400	0.69	3.12	43,900	0.71	3.55	41,300	0.73	3.91	38,300	0.76	4.33
	80 / 67	46,100	0.73	2.58	42,700	0.75	3.13	40,000	0.77	3.55	38,100	0.80	3.91	35,200	0.83	4.33
	75 / 63	42,900	0.75	2.59	39,700	0.77	3.13	37,800	0.80	3.55	35,500	0.82	3.91	32,900	0.85	4.35
	75 / 57	40,000	0.99	2.60	37,500	1.00	3.13	35,700	1.00	3.53	33,900	1.00	3.92	31,800	1.00	4.34
PRPAC1448	85 / 72	55,700	0.66	2.93	52,000	0.68	3.47	48,700	0.71	3.92	46,100	0.73	4.33	43,300	0.75	4.77
	80 / 67	51,300	0.72	2.93	47,900	0.74	3.46	44,500	0.77	3.90	42,400	0.79	4.30	39,800	0.82	4.75
	75 / 63	47,900	0.74	2.94	44,700	0.77	3.45	41,800	0.79	3.88	39,600	0.81	4.28	37,000	0.84	4.73
	75 / 57	44,300	1.00	2.94	41,700	1.00	3.45	39,300	1.00	3.87	37,400	1.00	4.28	35,400	1.00	4.73
PRPAC1460	85 / 72	71,100	0.64	3.66	66,500	0.66	4.38	62,700	0.67	4.97	59,500	0.69	5.50	56,000	0.71	6.11
	80 / 67	65,900	0.70	3.68	61,600	0.72	4.38	57,000	0.73	4.96	55,000	0.75	5.48	51,800	0.77	6.08
	75 / 63	61,600	0.72	3.68	57,500	0.74	4.38	54,200	0.75	4.95	51,400	0.77	5.47	48,300	0.79	6.07
	75 / 57	56,900	0.97	3.68	53,300	1.00	4.37	50,300	1.00	4.94	48,100	1.00	5.46	45,400	1.00	6.05

NOTE: Values based on 0.58" w.c. external static pressure

ACCESSORY AIR RESISTANCE DATA - in. w.g.

Air Volume cfm	Rectangular to Round Duct Adaptor Kits					
	Downflow			Horizontal		
	14 in. Diameter		14 in. Diameter		16 in. Diameter	18 in. Diameter
	24, 30, 36	42, 48, 60	24, 30, 36	42, 48, 60	42, 48, 60	42, 48, 60
500	0.03	---	0.04	---	---	---
600	0.05	---	0.07	---	---	---
700	0.08	0.13	0.08	0.13	---	---
800	0.10	0.17	0.12	0.16	---	---
900	0.12	0.21	0.15	0.21	---	---
1000	0.17	0.24	0.19	0.25	0.11	0.03
1100	0.18	0.30	0.23	0.30	0.11	0.03
1200	0.20	0.36	0.29	0.37	0.13	0.03
1300	0.26	0.43	0.31	0.43	0.17	0.03
1400	0.31	0.50	0.39	0.51	0.20	0.03
1500	---	0.57	---	0.57	0.21	0.05
1600	---	0.63	---	0.65	0.26	0.05
1700	---	0.71	---	0.72	0.30	0.06
1800	---	0.80	---	0.81	0.30	0.06
1900	---	0.91	---	0.90	0.40	0.06
2000	---	0.99	---	1.01	0.41	0.06

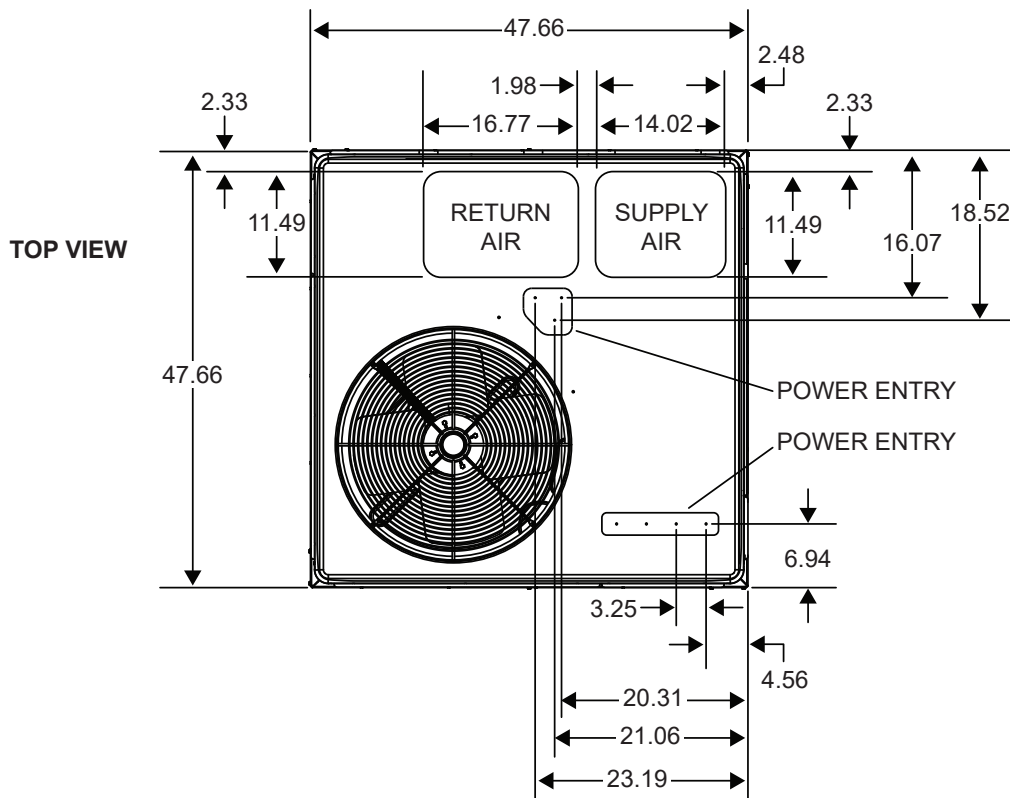
HEAT STRIP ELECTRICAL

Model	Heater	Unit Supply Voltage Single Phase	Input kW 240V	Circuit 1 240V		Circuit 2 240V		Single Circuit 240V	
				Ampacity	Breaker	Ampacity	Breaker	Ampacity	Breaker
PRPAC1424EP	5kW	240	5	29.5	30	-	-	29.5	30
		208	3.8	26.1	30	-	-	26.1	30
	7.5kW	240	7.5	42.6	45	-	-	42.6	45
		208	5.6	37.4	40	-	-	37.4	40
	10kW	240	10	55.6	60	-	-	55.6	60
		208	7.5	48.6	50	-	-	48.6	50
	15kW	240	15	-	-	-	-	-	-
		208	11.3	-	-	-	-	-	-
20kW	240	20	-	-	-	-	-	-	
	208	15	-	-	-	-	-	-	
PRPAC1430EP	5kW	240	5	31.2	35	-	-	31.2	35
		208	3.8	27.7	30	-	-	27.7	30
	7.5kW	240	7.5	44.2	45	-	-	44.2	45
		208	5.6	39.0	40	-	-	39.0	40
	10kW	240	10	57.2	60	-	-	57.2	60
		208	7.5	50.3	60	-	-	50.3	60
	15kW	240	15	57.2	60	26.0	30	83.3	90
		208	11.3	50.3	60	22.6	25	72.8	80
20kW	240	20	-	-	-	-	-	-	
	208	15	-	-	-	-	-	-	
PRPAC1436EP	5kW	240	5	31.2	35	-	-	31.2	35
		208	3.8	27.7	30	-	-	27.7	35
	7.5kW	240	7.5	44.2	45	-	-	44.2	45
		208	5.6	39.0	40	-	-	39.0	40
	10kW	240	10	57.2	60	-	-	57.2	60
		208	7.5	50.3	60	-	-	50.3	60
	15kW	240	15	57.2	60	26.0	30	83.3	90
		208	11.3	50.3	60	22.6	25	72.8	80
20kW	240	20	-	-	-	-	-	-	
	208	15	-	-	-	-	-	-	
PRPAC1442EP	5kW	240	5	33.5	35	-	-	33.5	40
		208	3.8	30.1	35	-	-	30.1	40
	7.5kW	240	7.5	46.6	50	-	-	46.6	50
		208	5.6	41.4	45	-	-	41.4	45
	10kW	240	10	59.6	60			59.6	60
		208	7.5	52.6	60			52.6	60
	15kW	240	15	59.6	60	26.0	30	85.6	90
		208	11.3	52.6	60	22.6	25	75.2	80
20kW	240	20	59.6	60	52.1	60	111.7	125	
	208	15	52.6	60	45.1	50	97.8	100	

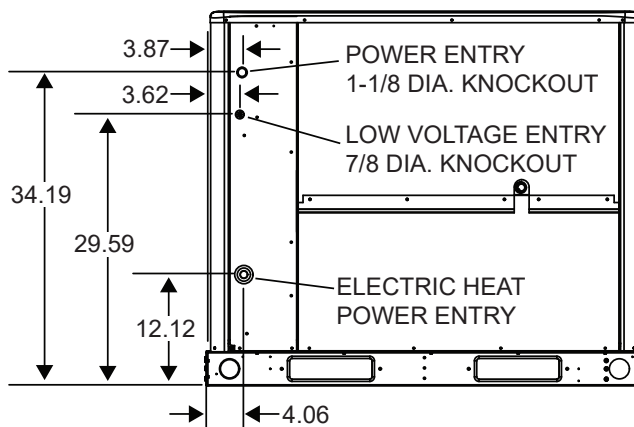
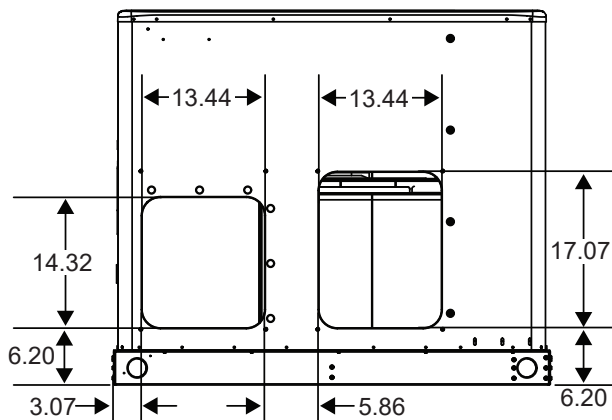
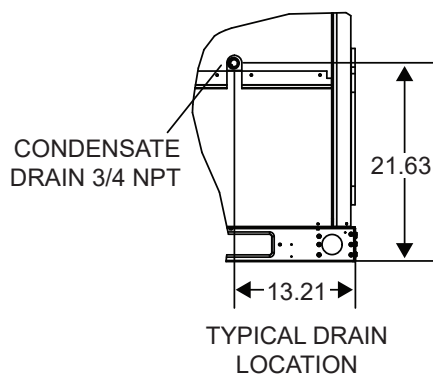
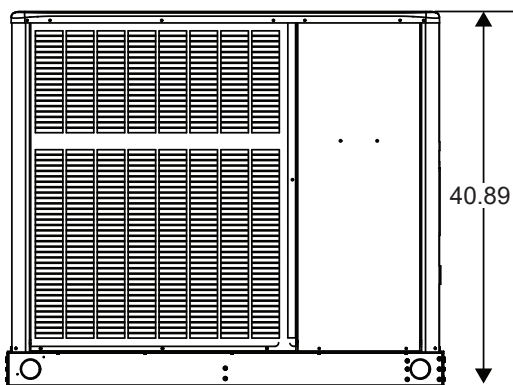
HEAT STRIP ELECTRICAL

Model	Heater	Unit Supply Voltage Single Phase	Input kW 240V	Circuit 1 240V		Circuit 2 240V		Single Circuit 240V	
				Ampacity	Breaker	Ampacity	Breaker	Ampacity	Breaker
PRPAC1448EP	5kW	240	5	33.5	35			33.5	45
		208	3.8	30.1	35			30.1	45
	7.5kW	240	7.5	46.6	50			46.6	50
		208	5.6	41.4	45			41.4	45
	10kW	240	10	59.6	60			59.6	60
		208	7.5	52.6	60			52.6	60
	15kW	240	15	59.6	60	26	30	85.6	90
		208	11.3	52.6	60	22.6	25	75.2	80
	20kW	240	20	59.6	60	52.1	60	111.7	125
		208	15	52.6	60	45.1	50	97.8	100
PRPAC1460EP	5kW	240	5	35.5	40	-	-	38.9	60
		208	3.8	32.1	35	-	-	38.9	60
	7.5kW	240	7.5	48.6	50	-	-	48.6	60
		208	5.6	43.4	45	-	-	43.4	60
	10kW	240	10	61.6	70	-	-	61.6	70
		208	7.5	54.6	60	-	-	54.6	60
	15kW	240	15	61.6	70	26	30	87.6	90
		208	11.3	54.6	60	22.6	25	77.2	80
	20kW	240	20	61.6	70	52.1	60	113.7	125
		208	15	54.6	60	45.1	50	99.8	100

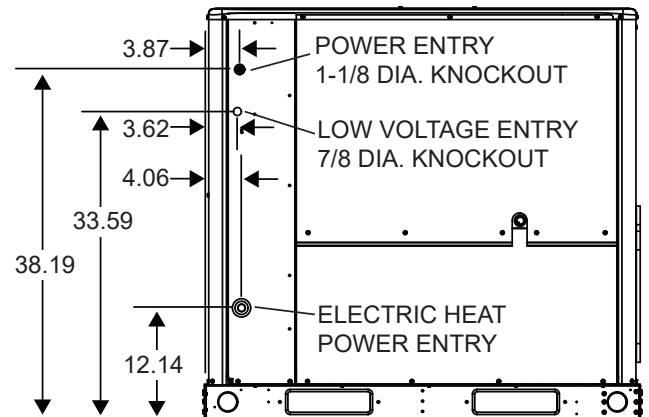
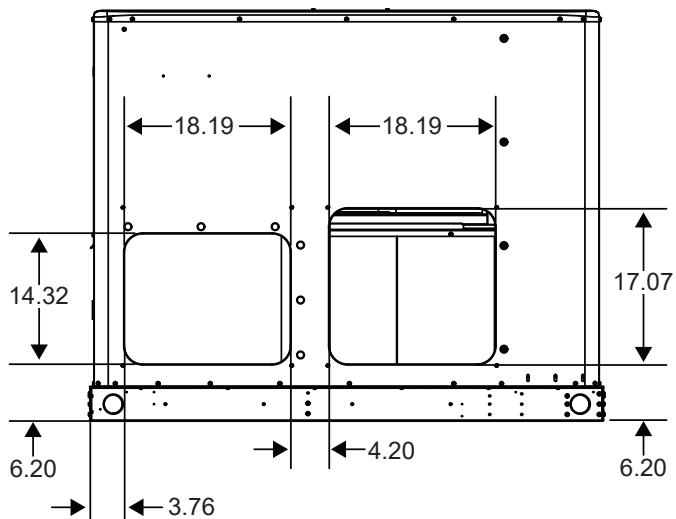
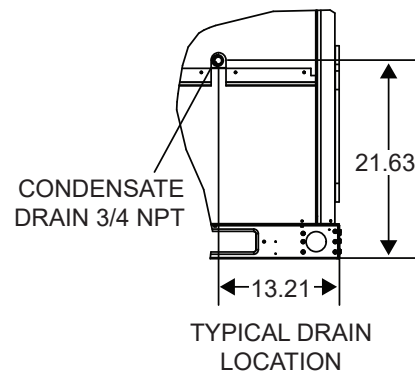
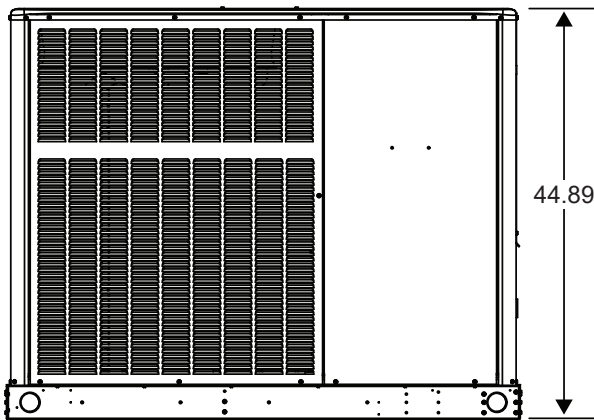
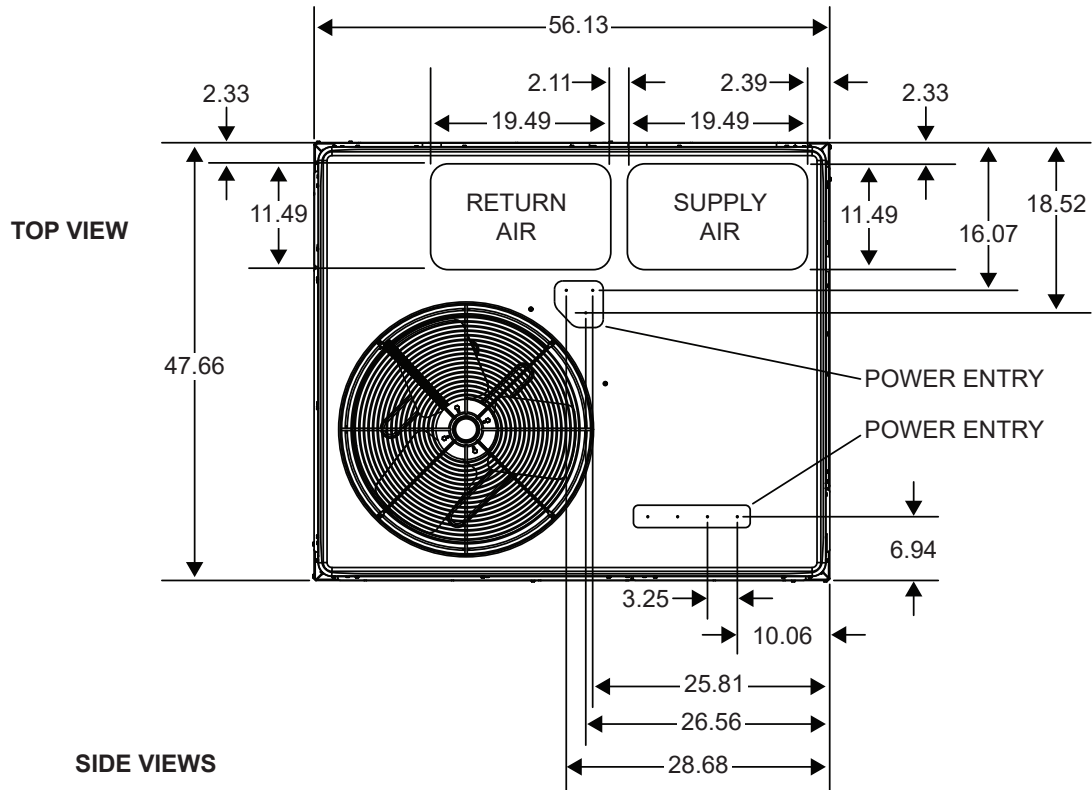
DIMENSIONS (IN.) - SMALL BASE



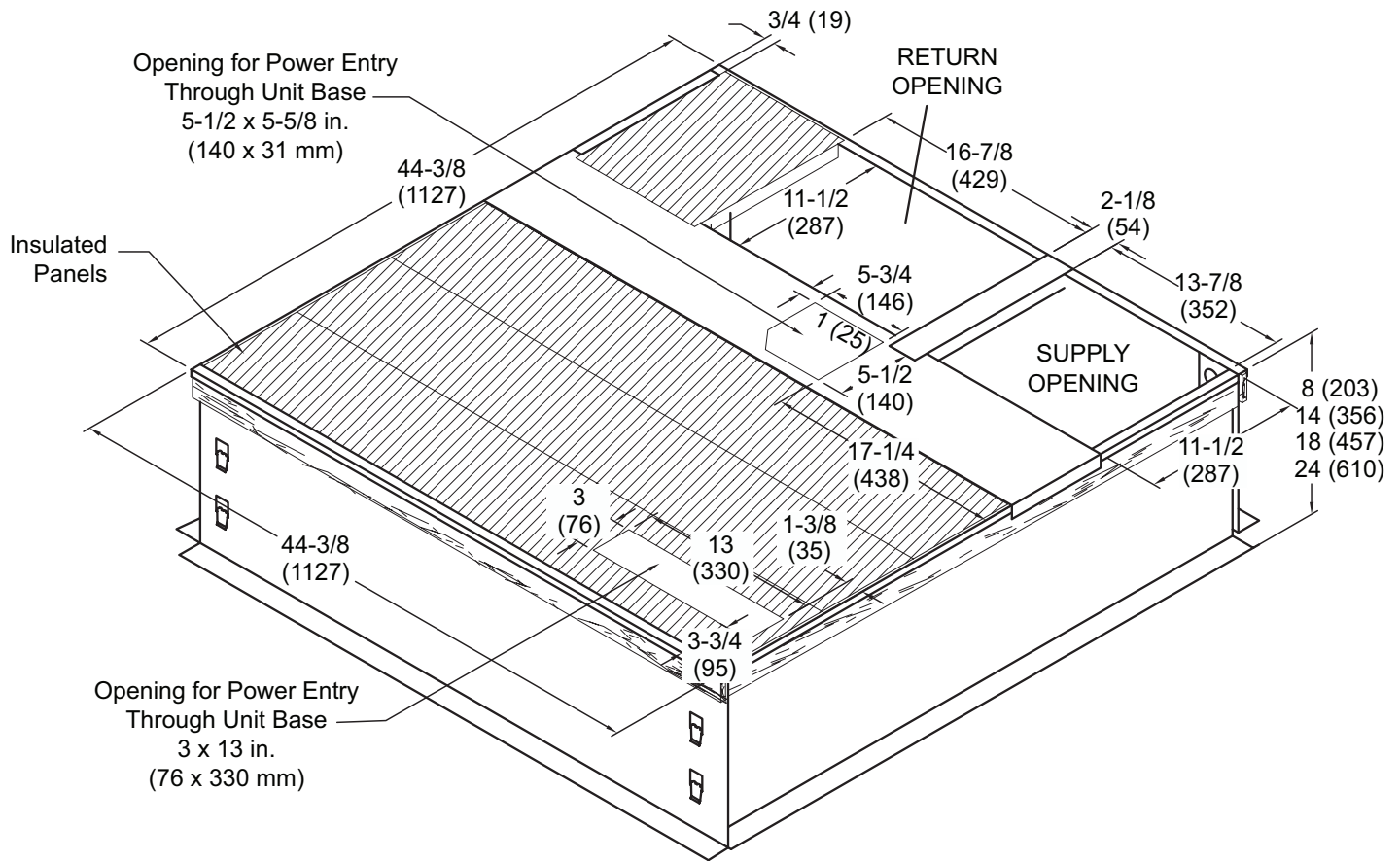
SIDE VIEWS



DIMENSIONS (IN.) - LARGE BASE



ROOF CURB DIMENSIONS - SMALL BASE

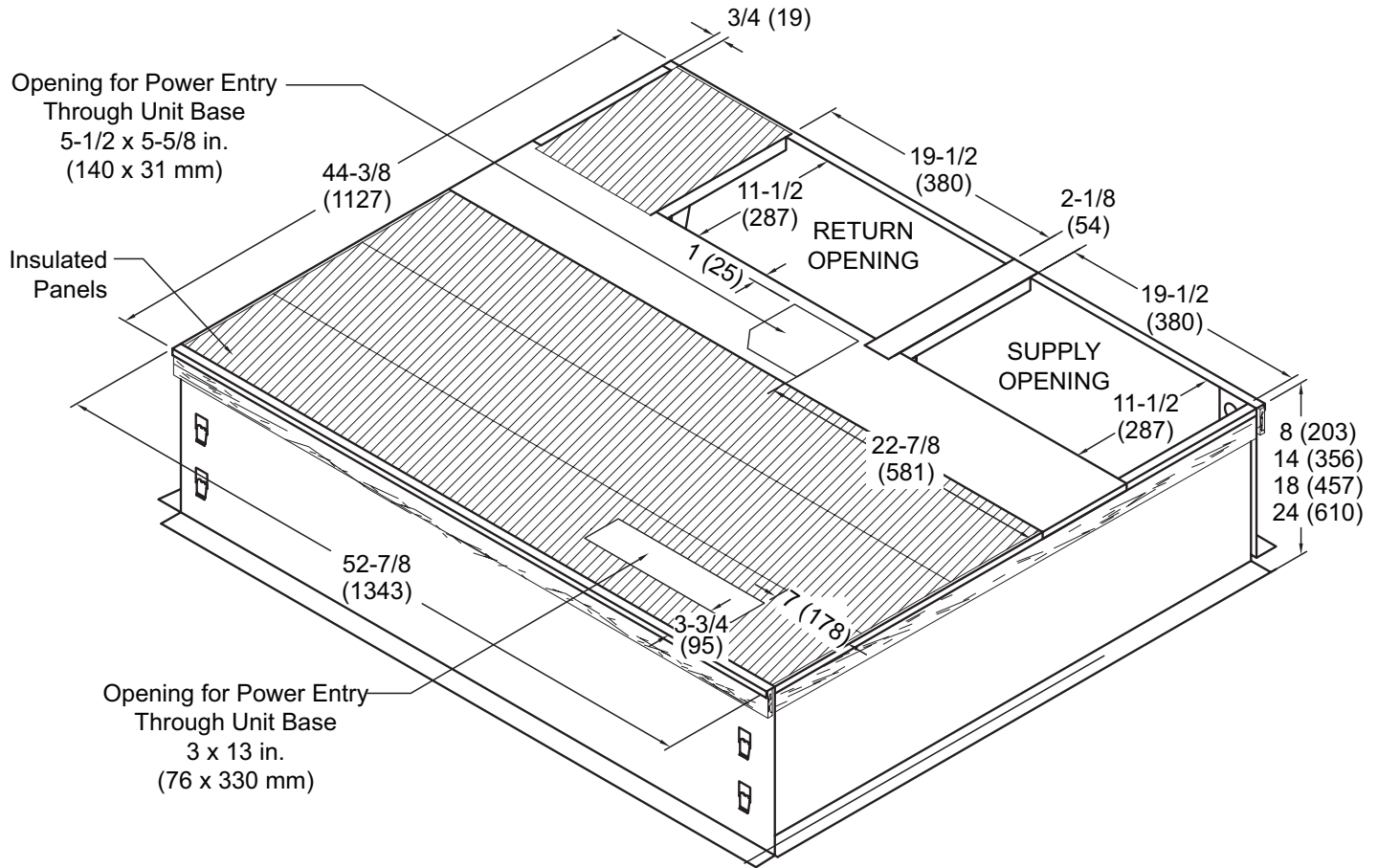


NOTE - Roof deck may be omitted within confines of curb.

NOTE - All Curbs::

- IBC 2018 compliant
- CBC 2019 compliant
- Seismic rating - SDS 2.0g, z/h=1, I_p=1.5
- Wind rating - 240 mph (Lateral), 214 mph (Uplift)
- Maximum load rating - 800 lbs.
- Tool-less filter access panels NOT for seismic-rated applications

ROOF CURB DIMENSIONS - LARGE BASE

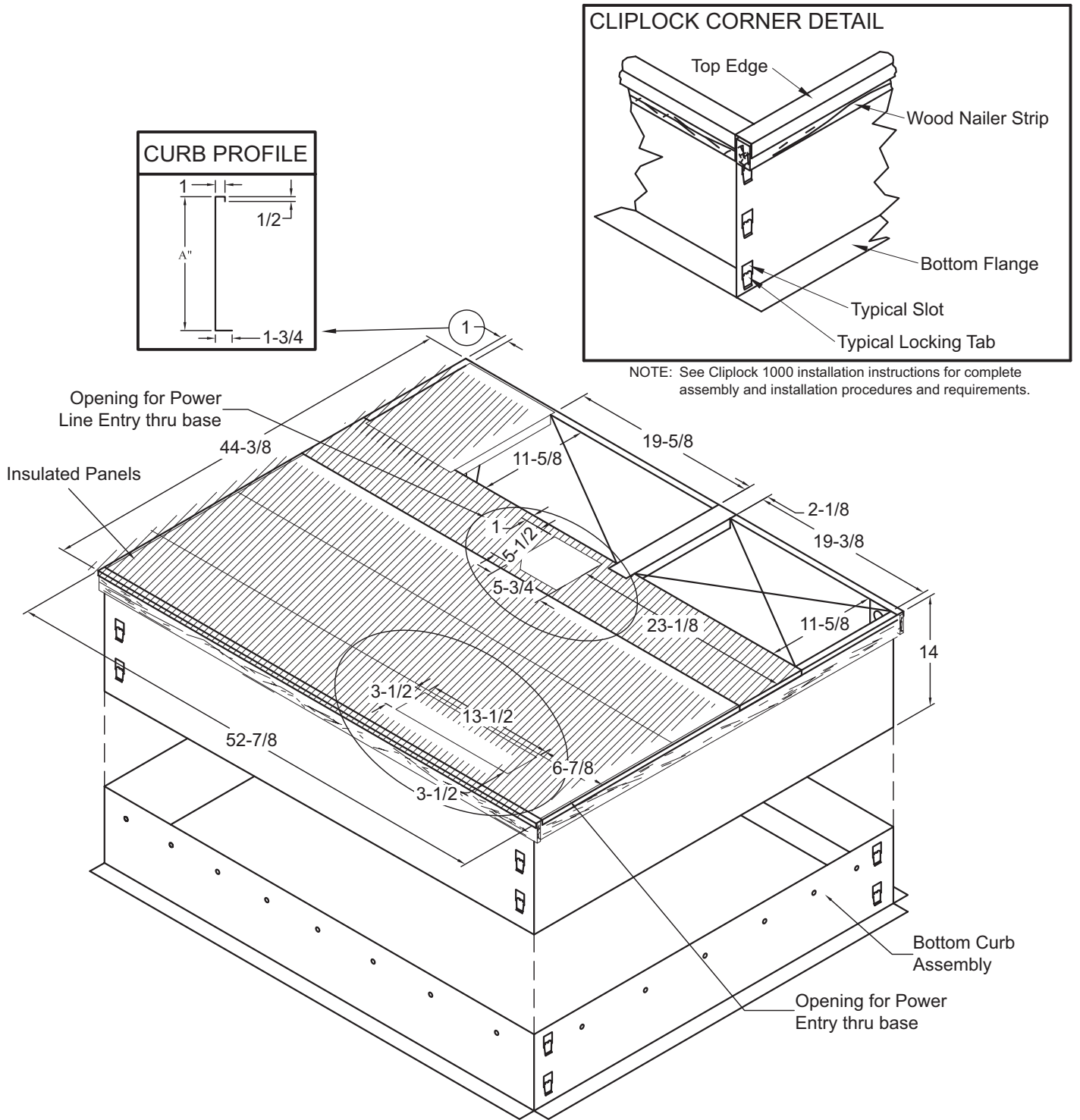


NOTE - Roof deck may be omitted within confines of curb.

NOTE - All Curbs::

- IBC 2018 compliant
- CBC 2019 compliant
- Seismic rating - SDS 2.0g, z/h=1, Ip=1.5
- Wind rating - 240 mph (Lateral), 214 mph (Uplift)
- Maximum load rating - 800 lbs.
- Tool-less filter access panels NOT for seismic-rated applications

ADJUSTABLE CURB (KNOCK-DOWN STYLE) DIMENSIONS - LARGE BASE

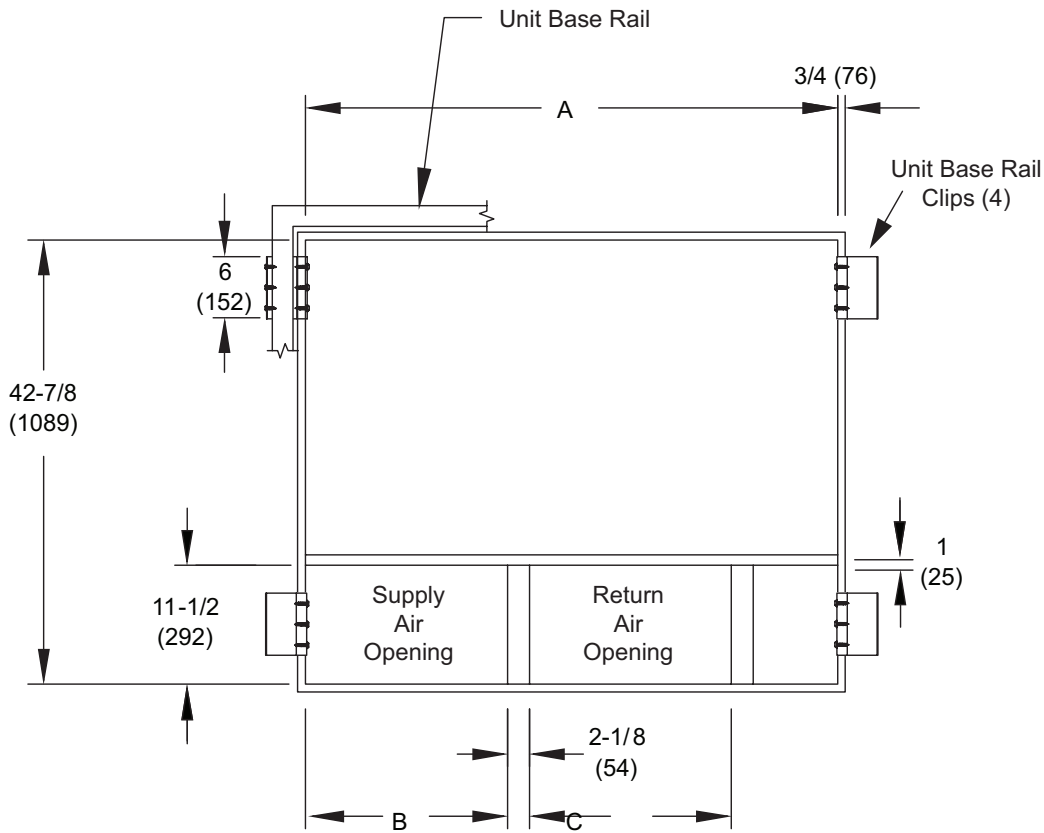
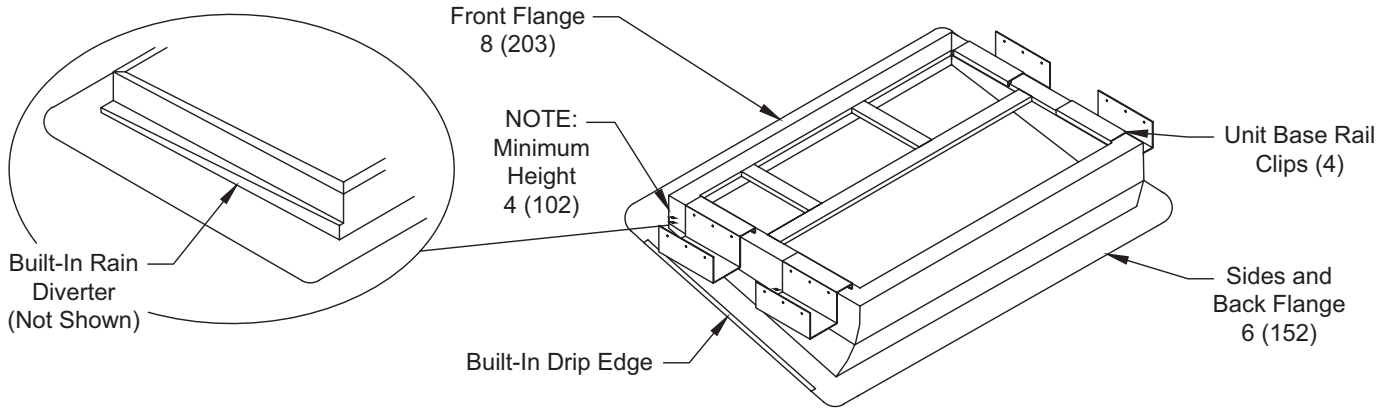


NOTE - Roof deck may be omitted within confines of curb.

NOTE - All Curbs::

- IBC 2018 compliant
- CBC 2019 compliant
- Seismic rating - SDS 2.0g, z/h=1, I_p=1.5
- Wind rating - 240 mph (Lateral), 214 mph (Uplift)
- Maximum load rating - 800 lbs.
- Tool-less filter access panels NOT for seismic-rated applications

ADJUSTABLE CURB (WELDED STYLE) DIMENSIONS



Usage	A		B		C	
	in.	mm	in.	mm	in.	mm
24,30,36	42-7/8	1089	13-7/8	352	16-7/8	429
42,48,60	51-3/8	1305	19-1/2	495	19-1/2	495

ACCESSORIES

Description	Where Used	Kit Number
Compressor Crankcase Heater	36, 42, 48, 60	11X27
Compressor Hard Start Kit	24, 30, 36	10J42
	42, 48, 60	88M91
Compressor Timed-Off Control	All	47J28
Low Ambient Kit	All	21D20
Electric Heater 5kW - PHK05BP	All	10W47
Electric Heater 7.5kW - PHK07BP	All	10W48
Electric Heater 10kW - PHK10BP	All	10W49
Electric Heater 15kW - PHK15BP	36, 42, 48, 60	10W50
Electric Heater 20kW - PHK20BP	42, 48, 60	10W51
Internal Filter Rack Kit	24, 30, 36	11U73
	42, 48, 60	11U74
8" Height Full Perimeter Curb	24, 30, 36	21J13
	42, 48, 60	21J17
14" Height Full Perimeter Curb	24, 30, 36	21J14
	42, 48, 60	21J19
18" Height Full Perimeter Curb	24, 30, 36	21J15
	42, 48, 60	21J20
24" Height Full Perimeter Curb	24, 30, 36	21J16
	42, 48, 60	21J25
Adjustable Pitch Roof Curb (Knock-Down Style)	24, 30, 36	21J26
	42, 48, 60	21U04
Adjustable Pitch Roof Curb (Welded Style)	24, 30, 36	22V54
	42, 48, 60	22V55
Strapping Kit - Hurricane	Slab	21J74
	Rail	22G53
Strapping Kit - Seismic	All	21J75
Duct Adapter Kit - Horizontal	14 in. dia.	24, 30, 36
	14 in. dia.	42, 48, 60
	16 in. dia.	42, 48, 60
	18 in. dia.	42, 48, 60
Duct Adapter Kit - Downflow	14 in. dia.	24, 30, 36
	14 in. dia.	42, 48, 60
Bottom Power Entry Kit	All	21J78
Base Rail Openings - Closure Kit	All	21J84
Single Point Power - 5kW ASPWR813-1	All	13W88
Single Point Power - 7.5 kW ASPWR814-1	All	13W89
Single Point Power - 10kW ASPWR815-1	All	13W90
Single Point Power - 15-20kW ASPWR816-1	36, 42, 48, 60	13W91



1-800-448-5872

All specifications and illustrations subject to change without notice and without incurring obligations.