

Specifications



Certifications



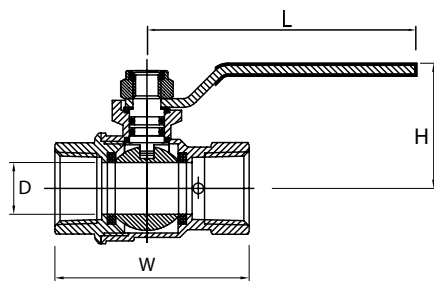
119-2-12-12

119-2-34-34

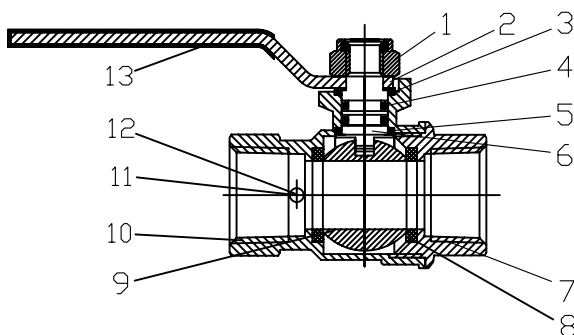
119-2-1-1

Physical Characteristics

- Description: Full Port, No-Lead Ball Valve with Drain – Brass
- Connection Type: Female Thread x Female Thread
- Forged brass body
- PTFE seats
- Drain waste & cap
- Handle Color: Blue
- Max. Temp. Rating: 150° F
- Max. Pressure Rating: 500 PSI non-shock WOG
- This product complies with 0.25% weighted average lead content on wetted surfaces
- Meets ANSI/NSF 61-8



PART NO.	SIZE	H	L	W	D	WEIGHT
		In.	In.	In.	In.	g
119-2-12-12	1/2"	1.34	3.03	2.20	0.58	184
119-2-34-34	3/4"	1.77	3.68	2.45	0.79	314
119-2-1-1	1"	1.89	3.68	2.97	0.98	478



NO.	DESCRIPTION	MATERIAL
1	Nut	Q235A
2	Handle	Steel
3	Washer	PE
4	O-Ring	Rubber
5	Packing	Teflon
6	Stem	Brass
7	End Piece	Brass
8	Ball seat	Teflon
9	Ball	Brass
10	Body	Brass
11	Washer	Rubber
12	Cap	Brass
13	Sleeve	PVC