



Keeping
Families
Comfortable
For More
Than 60 Years



Reliable, Efficient Home Oil Furnaces

- Variable Speed Technology
- Up to 87.5% Efficiency
- Optional Cooling Up to 5 Tons

Proudly Built in the USA



Olsen Provides The Best Value In Oil Heating Comfort For **Your Family.**

Why Choose Olsen?

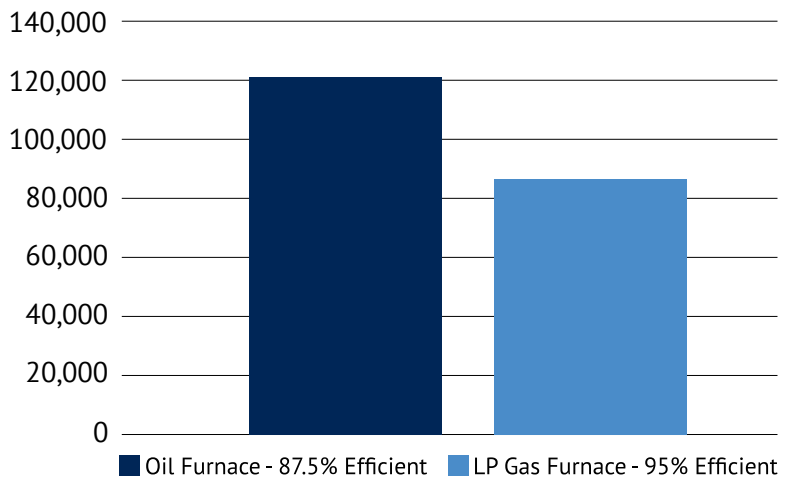
You want your home to be comfortable, but you also need to be mindful of annual fuel costs, maintenance and dependability. So where do you turn? Olsen oil furnaces have been reliably heating homes for generations. If you want to get the most out of your next heating system, Olsen has the optimal oil furnace solution – like our new UML and LRF series furnaces. These innovative products feature ENERGY STAR® models that can achieve efficiencies up to 87.5% AFUE. Installing a higher-AFUE Olsen furnace provides more heat for every dollar spent and may also qualify for energy-efficiency rebates or incentives.

Did You Know?

Fuel oil has 138,500 BTUs of energy in every gallon. Propane has only 91,333 BTUs. So for every gallon of fuel oil you get approximately 52% more fuel energy to convert to heat for your home.

Another factor to consider is the cost of the fuels. Over the past decade fuel oil continues to be the most cost effective choice in the Northeast.

Oil Supplies More Heat Per Gallon of Fuel



Proudly Built In The USA



Manufactured in our Dunkirk, New York facility, each Olsen furnace is assembled to our high-quality standards and tested prior to shipping.

We've Got You Covered!

We stand behind every Olsen product we engineer and build with a Limited Lifetime Heat Exchanger Warranty and a five-year parts warranty. For additional coverage, the Trinity Warranty Plan is also available. It offers parts and labor coverage for either five or 10 years from the date of installation.

What Do Our Customers Say...

“Compact and efficient. That’s what we wanted. Our old furnace was very old and needed replacement. Our new Olsen furnace has been very reliable.”

Tim ~ Erie, PA

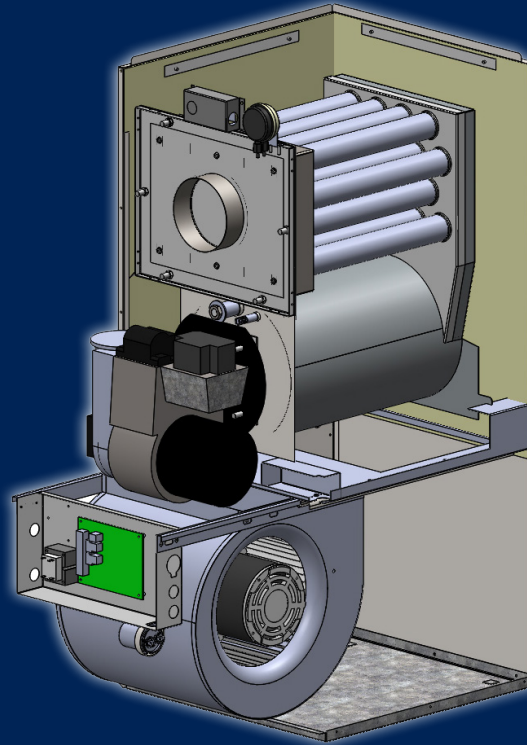
Olsen Furnaces – Exceptional Features

Stainless Steel, High-Efficiency Heat Exchanger

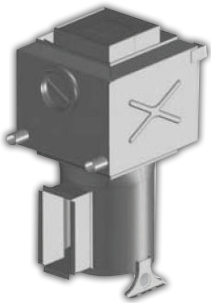
Olsen's Latest Innovation!

Our multi-pass design consists of a primary heat exchanger that utilizes a high-grade 409 stainless steel drum to withstand extreme temperatures and corrosive conditions. Additional passes are constructed of aluminized steel tubes with stainless steel turbulators, which increase surface area, resulting in maximum efficiency levels and reduced operating costs.

Featured on ENERGY STAR® models.

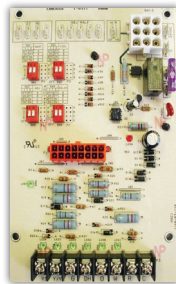


Shown on Universal Series Model



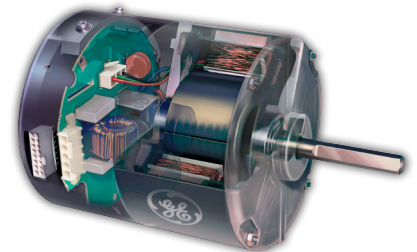
Welded Steel Heat Exchanger

Our standard dual-pass heat exchanger is constructed of heavy-gauge welded steel for added reliability. The large surface area maximizes heat transfer into your home. Accessible clean-out ports simplify routine maintenance. (Found on all models except UML, UMLV, LRF, LRFV)



Electronic Fan Timer Control

Wiring is color-coded and equipped with connections for easy air conditioning, humidifier and air cleaner installation. A terminal strip is also supplied for thermostat connections. (Found on all models except BCL120ST2, BCL145ST2, BCL190, BFL120T2, BFL145TNX2)



ECM Blower Motor

The variable speed technology of an ECM, Electronically Commutated Motor, increases comfort and reduces operating noise by quietly ramping the blower fan up and down, providing a more consistent heat in the living space. The high-efficiency blower reduces electrical consumption up to 80%* and many utilities offer rebates on furnaces equipped with an ECM.** (Found on UMLV, LRFV, BMLV, HTLV, HMLV, WMLV models)

*Individual savings may vary

**Check with your local government agencies and/or utilities regarding the availability of rebates. Another resource is www.dsireusa.org

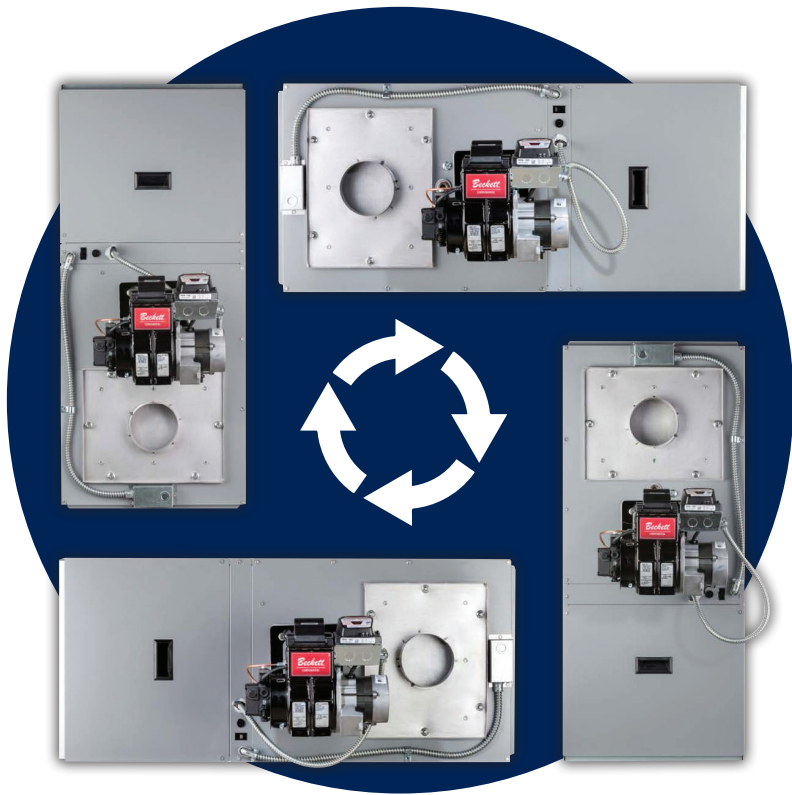
Our **Most Versatile** & Efficient Furnace Series!

The Universal Series

Models (UML, UMLV)

The Universal Series is a multi-positional furnace that can replace highboy, lowboy, horizontal or downflow furnaces...versatility to fit any application! Compared with oil furnaces of long ago, the compact design of the Universal Series will allow you to claim more usable area in your basement. Additionally you will be able to enjoy fuel cost savings and greater comfort for you and your family!

Versatility to Fit Any Application



4 Positions: Upflow, Downflow or Horizontal

FOR SPECIFICATION INFORMATION, SEE PAGES 8-9

BTUH Input	77,000 to 119,000
Efficiencies.....	Up to 87.5% AFUE
Heat Exchanger	Stainless Steel High-Efficiency Multi-Pass
Flue Location	Front
Height:	42- ³ / ₄ "
Supply Opening:	17- ³ / ₄ " x 18- ³ / ₄ "
Return:	14" x 18"

Chimney Vent Burner Options

- Beckett AFG
- Riello 40F3
- Carlin EZ-LF

Direct Vent Burner Options

- Beckett NX
- Riello BF3
- Riello BF5

Blower Motor Options

- ECM Variable Speed High Efficiency
- PSC Direct Drive

Other Features of the UML, UMLV Include:

- Select models meet ENERGY STAR® requirements
- Four Firing Rates: .55, .65, .75 and .85 gph
- Models are shipped at .65 gph firing rate with all alternative nozzles supplied with furnace
- Front access to heat exchanger. Easy to clean
- Includes a 16" x 20" filter rack with washable, reusable filter. The filter rack can double as a transition piece if the installer wishes to use a Buffalo Boot instead.
- Barometric damper (Chimney Vent Only)
- Listed for closet installations
- Durable 22-gauge steel cabinet ensures strength while full fiber-reinforced foil faced insulation and "cool-to-touch" technology provide quiet operation
- A/C Ready - Up to 4 Tons



Cost-Efficient



Versatile



A/C Ready

Our **Most Efficient** Lowboy Model Yet!

NEW! Lowboy Series

Models (LRF, LRFV)

The LRF/LRFV models are unique to the Lowboy series as they feature our newly designed stainless steel high-efficiency heat exchanger.



FOR SPECIFICATION INFORMATION, SEE PAGES 10-11

BTUH Input	77,000 to 119,000
Efficiencies.....	Up to 86.8% AFUE
Heat Exchanger	Stainless Steel High-Efficiency Multi-Pass
Flue Location	Rear
Height:	33 ^{-5/8} "
Supply Opening:	20 ^{-1/2} " x 18"
Return:	20 ^{-1/2} " x 18 ^{-5/8} "

Chimney Vent Burner Options

- Beckett AFG
- Riello 40F3
- Carlin EZ-LF

Blower Motor Options

- ECM Variable Speed High Efficiency
- PSC Direct Drive
- Belt Drive with Adjustable Motor Pulley

Other Features of the LRF, LRFV Include:

- Select models meet ENERGY STAR® requirements
- Four Firing Rates: .55, .65, .75 and .85 gph
- Models are shipped at .65 gph firing rate with all alternative nozzles supplied with furnace
- Front access to heat exchanger. Easy to clean
- Includes a 20" x 20" filter rack with washable, reusable filter.
- Barometric damper
- Durable 22-gauge steel cabinet ensures strength while full fiber-reinforced foil faced insulation and "cool-to-touch" technology provide quiet operation
- A/C Ready - Up to 4 Tons



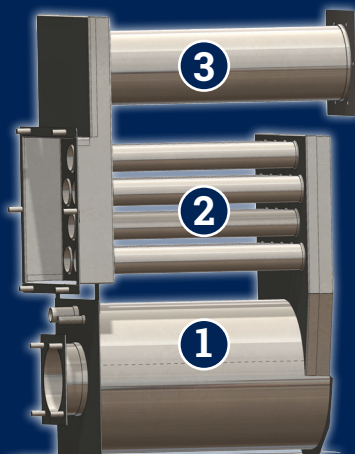
Cost-Efficient



A/C Ready



STAINLESS STEEL
TURBULATORS



Stainless Steel, High-Efficiency Heat Exchanger

Featured on LRF and LRFV models:

- 1.) Primary heat exchanger utilizes a high-grade 409 stainless steel drum to withstand extreme temperatures and corrosive conditions.
- 2.) Second pass is constructed of aluminized steel tubes with stainless steel turbulators, which can easily be removed as shown for easy cleaning.
- 3.) Large heat transfer surface results in maximum efficiency levels and reduced operating costs.

Reliable, Efficient Olsen Oil Furnaces

The Lowboy Series



Models (BCL/BFL)

Our Largest Capacity Lowboy Models

BTUH Input	105,000 to 231,000
Efficiencies	Up to 87.2% AFUE
Heat Exchanger	Welded Steel Dual-Pass
Flue Location	Front/Rear
Height:	41"
BCL 190 & BCL 190/225:	56"
Supply Opening:	20-1/2" x 18-5/8"
BCL 190/225:	24" x 22"
Return:	20-1/2" x 18-5/8"
BCL 190/225:	24" x 22"

Models (BML/BMLV)

BTUH Input	70,000 to 105,000
Efficiencies	Up to 87.2% AFUE
Heat Exchanger	Welded Steel Dual-Pass
Flue Location	Rear
Height:	32"
Supply Opening:	20-1/2" x 19"
Return:	20-1/2" x 18-1/2"

FOR SPECIFICATION INFORMATION, SEE PAGES 12-15

Chimney Vent Burner Options

- Beckett AF
- Beckett NX
- Riello 40F3

Direct Vent Burner Options

- Beckett AFII-85
- Beckett AFII-150
- Riello 40BF3

Blower Motor Options

- ECM Variable Speed High Efficiency
- PSC Direct Drive
- Belt Drive with Adjustable Motor Pulley

Other Features of the Lowboy Series Include:

- Front access to heat exchanger. Easy to clean
- Includes 20" x 25" filter rack with washable, reusable filters
- Barometric damper (Chimney Vent Only)
- Durable 22-gauge steel cabinet ensures strength while full fiber-reinforced foil faced insulation and "cool-to-touch" technology provide quiet operation
- A/C Ready- Up to 5 Tons



The Highboy Series



Models (HTL/HML/HTLV/HMLV)

Our Selection of Tall Up-Flow Highboy Models

BTUH Input	70,000 to 140,000
Efficiencies	Up to 86.7% AFUE
Heat Exchanger	Welded Steel Dual-Pass
Flue Location	Front
Height	
HML:	49-5/8"
HTL:	58"
Supply Opening:	20-1/2" x 20"
Return:	14" x 22"

FOR SPECIFICATION INFORMATION, SEE PAGES 16-17

Chimney Vent Burner Options

- Beckett AF
- Beckett NX
- Riello 40F3

Direct Vent Burner Options

- Beckett AFII-185
- Riello 40BF3

Blower Motor Options

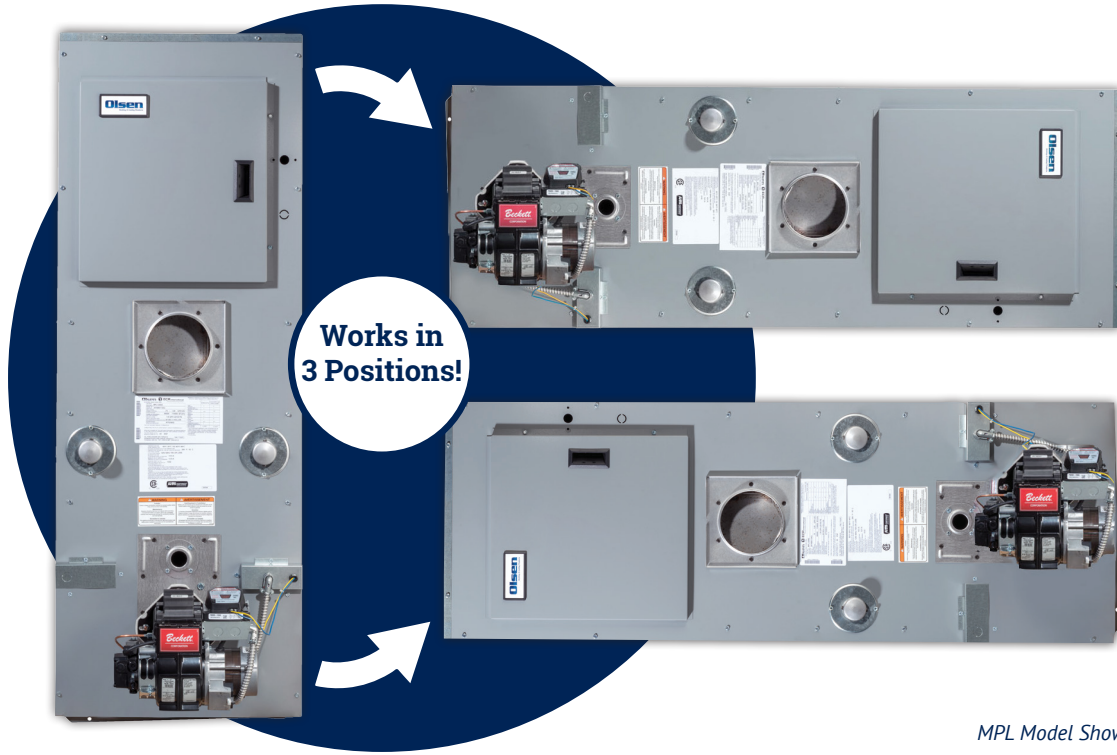
- ECM Variable Speed High Efficiency
- PSC Direct Drive

Other Features of the Highboy Series Include:

- Includes a 16" x 25" filter rack with washable, reusable filter
- Barometric damper (Chimney Vent Only)
- Durable 22-gauge steel cabinet ensures strength while full fiber-reinforced foil faced insulation and "cool-to-touch" technology provide quiet operation
- A/C Ready- Up to 3.5 Tons



The Multi-Position Series, Downflow or Horizontal



MPL Model Shown

Models (WML/WMLV)

Available with Variable Speed Motor

BTUH Input70,000 to 105,000
 Efficiencies Up to 86.8% AFUE
 Heat Exchanger Welded Steel Dual-Pass
 Flue Location Front
 Height: 55-1/4"
 Supply Opening:19" x 19"
 Return:18" x 18"



Versatile



A/C Ready

Chimney Vent Burner Options

- Beckett AF
- Beckett NX
- Riello 40F3

Direct Vent Burner Options

- Beckett AFII-85
- Riello 40BF3

Blower Motor Options

- ECM Variable Speed High Efficiency
- PSC Direct Drive

Other Features of the WML, WMLV Include:

- Includes a 20" x 20" filter rack with washable, reusable filter.
- Barometric damper (Chimney Vent Only)
- Durable 22-gauge steel cabinet ensures strength while full fiber-reinforced foil faced insulation and "cool-to-touch" technology provide quiet operation
- A/C Ready - Up to 3 Tons

Model (MPL)

Our Largest-Capacity Multi-Position Model

BTUH Input 105,000 to 140,000
 Efficiencies Up to 86.6% AFUE
 Heat Exchanger Welded Steel Dual-Pass
 Flue Location Front
 Height: 62"
 Supply Opening:20 1/2" x 20 1/2"
 Return:18" x 18"



Versatile



A/C Ready

Chimney Vent Burner Options

- Beckett AF
- Riello 40F5

Direct Vent Burner Options

- Beckett AF-150

Blower Motor Options

- PSC Direct Drive

Other Features of the MPL Include:

- Includes a 20" x 20" filter rack with washable, reusable filter
- Barometric damper (Chimney Vent Only)
- Durable 22-gauge steel cabinet ensures strength while full fiber-reinforced foil faced insulation and "cool-to-touch" technology provide quiet operation
- A/C Ready- Up to 3 Tons

FOR SPECIFICATION INFORMATION, SEE PAGES 18-19

Specifications - Universal Series (4 Positions) - UML, UMLV

MODEL	ITEM NUMBER	FIRING RATE GPH	INPUT/ OUTPUT MBH	AFUE-CHIMNEY VENT			AFUE - DIRECT VENT	
				BECKETT AFG	RIELLO 40F3	CARLIN EZ-LF	BECKETT NX	RIELLO BF3
UML80A	UML080210411106	0.65	91/78	87.0%				
UML65A	Alternate Firing Rate	0.55	77/66	87.5%				
UML90A		0.75	105/88	85.2%				
UML100A		0.85	119/99	84.4%				
UMLV80A*	UML080210412106	0.65	91/78	87.0%				
UMLV65A	Alternate Firing Rate	0.55	77/66	87.5%				
UMLV90A		0.75	105/88	85.2%				
UMLV100A		0.85	119/99	84.4%				
UML80ARF	UML080240411106	0.65	91/78		86.3%			
UML65ARF	Alternate Firing Rate	0.55	77/66		87.3%			
UML90ARF		0.75	105/88		85.2%			
UML100ARF		0.85	119/99		84.8%			
UMLV80ARF*	UML080240412106	0.65	91/78		86.3%			
UMLV65ARF	Alternate Firing Rate	0.55	77/66		87.3%			
UMLV90ARF		0.75	105/88		85.2%			
UMLV100ARF		0.85	119/99		84.8%			
UML80AC	UML080280411106	0.65	91/78			85.8%		
UML65AC	Alternate Firing Rate	0.55	77/66			87.1%		
UML90AC		0.75	105/88			84.4%		
UML100AC		0.85	119/99			84.0%		
UMLV80AC*	UML080280411106	0.65	91/78			85.8%		
UMLV65AC	Alternate Firing Rate	0.55	77/66			87.1%		
UMLV90AC		0.75	105/88			85.2%		
UMLV100AC		0.85	119/99			84.0%		
UML80ALBU	UML080262411106 / 550003126**	0.65	91/76				84.4%	
UML65ANXU	UML080262411106 / 550003126**	0.55	77/65				85.8%	
UML90ANXU	UML080262411106 / 550003126**	0.75	105/87				83.5%	
UML100ANXU	UML080262411106 / 550003126**	0.85	119/98				83.3%	
UMLV80ALBU*	UML080262412106 / 550003126**	0.65	91/77				85.2%	
UMLV65ANXU*	UML080262412106 / 550003126**	0.55	77/66				85.7%	
UMLV90ANXU	UML080262412106 / 550003126**	0.75	105/87				83.6%	
UMLV100ANXU	UML080262412106 / 550003126**	0.85	119/97				83.1%	
UML80ARBU	UML080262411106 / 550003124**	0.65	91/76					85.0%
UML65ARBU	UML080262411106 / 550003124**	0.55	77/65					86.4%
UML90ARBU	UML080262411106 / 550003125**	0.75	105/87					
UML100ARBU	UML080262411106 / 550003125**	0.85	119/98					
UMLV80ARBU*	UML080262412106 / 550003124**	0.65	91/77					85.0%
UMLV65ARBU*	UML080262412106 / 550003124**	0.55	77/66					86.4%
UMLV90ARBU	UML080262412106 / 550003125**	0.75	105/87					
UMLV100ARBU	UML080262412106 / 550003125**	0.85	119/97					

BOLD TYPE indicates factory-equipped firing rate. Other firing rates shown utilize alternate nozzles supplied with furnace.

* ENERGY STAR® **Item number includes: Furnace less burner / burner kit, ordered separately.

RIELLO BF5	MOTOR DRIVES		BREECH	SHIP WGT. (LBS.)	DIMENSIONS			AC RANGE IN TONS
	ECM VARIABLE SPEED	PSC DIRECT DRIVE			HEIGHT	WIDTH	DEPTH	
		1/2 HP	Front Flue	188	42- ³ / ₄ "	19"	20- ³ / ₁₆ "	Up to 3 Tons
	1/2 HP		Front Flue	188	42- ³ / ₄ "	19"	20- ³ / ₁₆ "	Up to 4 Tons
		1/2 HP	Front Flue	188	42- ³ / ₄ "	19"	20- ³ / ₁₆ "	Up to 3 Tons
	1/2 HP		Front Flue	188	42- ³ / ₄ "	19"	20- ³ / ₁₆ "	Up to 4 Tons
		1/2 HP	Front Flue	188	42- ³ / ₄ "	19"	20- ³ / ₁₆ "	Up to 3 Tons
	1/2 HP		Front Flue	188	42- ³ / ₄ "	19"	20- ³ / ₁₆ "	Up to 4 Tons
		1/2 HP	Front Flue	188	42- ³ / ₄ "	19"	20- ³ / ₁₆ "	Up to 3 Tons
	1/2 HP		Front Flue	188	42- ³ / ₄ "	19"	20- ³ / ₁₆ "	Up to 4 Tons
		1/2 HP	Front Flue	188	42- ³ / ₄ "	19"	20- ³ / ₁₆ "	Up to 3 Tons
83.6%								
83.7%								
	1/2 HP		Front Flue	188	42- ³ / ₄ "	19"	20- ³ / ₁₆ "	Up to 4 Tons
83.6%								
83.7%								

Specifications - Lowboy Series - LRF, LRFV

MODEL	ITEM NUMBER	FIRING RATE GPH	INPUT/ OUTPUT MBH	AFUE-CHIMNEY VENT			ECM VARIABLE SPEED
				BECKETT AFG	RIELLO 40F3	CARLIN EZ-LF	
LRF80	LRF080010413006	0.65	91/78	85.9%			
LRF65	Alternate Firing Rate	0.55	77/66	86.1%			
LRF90		0.75	105/89	85.3%			
LRF100		0.85	119/100	84.5%			
LRF80	LRF080210411006	0.65	91/78	85.9%			
LRF65	Alternate Firing Rate	0.55	77/66	86.1%			
LRF90		0.75	105/89	85.3%			
LRF100		0.85	119/100	84.5%			
LRFV80*	LRF080210412006	0.65	91/78	85.9%			
LRFV65	Alternate Firing Rate	0.55	77/66	86.1%			1/2 HP
LRFV90		0.75	105/89	85.3%			
LRFV100		0.85	119/100	84.5%			
LRF80RF	LRF080040413006	0.65	91/78		86.4%		
LRF65RF	Alternate Firing Rate	0.55	77/66		86.8%		
LRF90RF		0.75	105/89		85.6%		
LRF100RF		0.85	119/100		85.1%		
LRF80RF	LRF080240411006	0.65	91/78		86.4%		
LRF65RF	Alternate Firing Rate	0.55	77/66		86.8%		
LRF90RF		0.75	105/89		85.6%		
LRF100RF		0.85	119/100		85.1%		
LRFV80RF*	LRF080240412006	0.65	91/78		86.4%		
LRFV65RF	Alternate Firing Rate	0.55	77/66		86.8%		1/2 HP
LRFV90RF		0.75	105/89		85.6%		
LRFV100RF		0.85	119/100		85.1%		
LRF80C	LRF080080413006	0.65	91/78			85.9%	
LRF65C	Alternate Firing Rate	0.55	77/66			86.5%	
LRF90C		0.75	105/89			85.8%	
LRF100C		0.85	119/100			84.4%	
LRF80C	LRF080280411006	0.65	91/78			85.9%	
LRF65C	Alternate Firing Rate	0.55	77/66			86.5%	
LRF90C		0.75	105/89			85.8%	
LRF100C		0.85	119/100			84.4%	
LRFV80C*	LRF080280412006	0.65	91/78			85.9%	
LRFV65C	Alternate Firing Rate	0.55	77/66			86.5%	1/2 HP
LRFV90C		0.75	105/89			85.8%	
LRFV100C		0.85	119/100			84.4%	
LRF80LB**	LRF080060413006	0.65	91/78	85.9%	86.4%	85.9%	
LRF80LB**	LRF080260411006	0.65	91/78	85.9%	86.4%	85.9%	
LRFV80LB**	LRF080260412006	0.65	91/78	85.9%	86.4%	85.9%	1/2 HP

BOLD TYPE indicates factory-equipped firing rate. Other firing rates shown utilize alternate nozzles supplied with furnace.

* ENERGY STAR® **Item number includes: Furnace less burner. Burner kit ordered separately; Beckett AFG - 550003220, Riello 40F3 - 550003221, Carlin EZ-LF - 550003222.

MOTOR DRIVES		BREECH	SHIP WGT. (LBS.)	DIMENSIONS			AC RANGE IN TONS
PSC DIRECT DRIVE	BELT DRIVE			HEIGHT	WIDTH	DEPTH	
	1/2 HP	Rear Flue	240	33 ^{-5/8} "	22"	53 ^{-1/2} "	
1/2 HP		Rear Flue	240	33 ^{-5/8} "	22"	53 ^{-1/2} "	Up to 3 Tons
		Rear Flue	240	33 ^{-5/8} "	22"	53 ^{-1/2} "	Up to 4 Tons
	1/2 HP	Rear Flue	240	33 ^{-5/8} "	22"	53 ^{-1/2} "	
1/2 HP		Rear Flue	240	33 ^{-5/8} "	22"	53 ^{-1/2} "	Up to 3 Tons
		Rear Flue	240	33 ^{-5/8} "	22"	53 ^{-1/2} "	Up to 4 Tons
	1/2 HP	Rear Flue	240	33 ^{-5/8} "	22"	53 ^{-1/2} "	
1/2 HP		Rear Flue	240	33 ^{-5/8} "	22"	53 ^{-1/2} "	Up to 3 Tons
		Rear Flue	240	33 ^{-5/8} "	22"	53 ^{-1/2} "	Up to 4 Tons
	1/2 HP	Rear Flue	240	33 ^{-5/8} "	22"	53 ^{-1/2} "	
1/2 HP		Rear Flue	240	33 ^{-5/8} "	22"	53 ^{-1/2} "	Up to 3 Tons
		Rear Flue	240	33 ^{-5/8} "	22"	53 ^{-1/2} "	Up to 4 Tons

Specifications - Lowboy Series - BCL, BFL

MODEL	ITEM NUMBER	FIRING RATE GPH	INPUT/OUTPUT MBH	AFUE-CHIMNEY VENT			AFUE - DIRECT VENT	MOTOR
				BECKETT AF	BECKETT NX	RIELLO 40F3	BECKETT AFII-150	PSC DIRECT DRIVE
BCL120S2	32312062	1.00	140/118	84.4%				
BCL90S2	Alternate Firing Rate	0.75	105/90	85.5%				
BCL100S2		0.85	119/100	83.2%				
BCL120S2	31312009	1.00	140/118	84.4%				
BCL90S2	Alternate Firing Rate	0.75	105/90	85.5%				1/2 HP
BCL100S2		0.85	119/100	83.2%				
BCL120ST2	32312005	1.00	140/118	84.4%				
BCL90ST2	Alternate Firing Rate	0.75	105/90	85.5%				1 HP
BCL100ST2		0.85	119/100	83.2%				
BCL145S2	32314563	1.20	168/141	84.0%				
BCL130S2	Alternate Firing Rate	1.10	154/130	84.5%				
BCL145S2	32314509	1.20	168/141	84.0%				
BCL130S2	Alternate Firing Rate	1.10	154/130	84.5%				1/2 HP
BCL145ST2	32314505	1.20	168/141	84.0%				
BCL130ST2	Alternate Firing Rate	1.10	154/130	84.5%				1 HP
BCL190	32319070	1.65	231/194	83.7% T				
BCL170-2	Alternate Firing Rate	1.50	210/177	83.3%				
BCL200		1.75	245/205	83.7% T				
BCL190/225	32319072	1.65	231/194	83.7% T				
BCL225	Alternate Firing Rate	2.00	280/237	84.6% T				
BCL100SRF2	32310017	0.85	119/102			86.2%		
BCL90SRFS	Alternate Firing Rate	0.75	105/91			87.2%		1/2 HP
BCL100SB2U2	32310013C	0.85	119/102				86.0%	
BCL90SB2U2	Alternate Firing Rate	0.75	105/91				87.1%	1/2 HP
BCL120SB2U2		1.00	140/119				85.1%	
BFL120-2	32312045	1.00	140/114	83.0%				
BFL90-2	Alternate Firing Rate	0.75	105/88	83.8%				
BFL100-2		0.85	119/100	83.6%				
BFL120-2	32312001	1.00	140/114	83.0%				
BFL90-2	Alternate Firing Rate	0.75	105/88	83.8%				1/2 HP
BFL100-2		0.85	119/100	83.6%				
BFL120T2	32312006	1.00	140/114	83.0%				
BFL90T2	Alternate Firing Rate	0.75	105/88	83.8%				1 HP
BFL100T2		0.85	119/100	83.6%				
BFL145NX2	32314547	1.20	168/137		83.1%			
BFL130NX2	Alternate Firing Rate	1.10	154/127		83.5%			
BFL145NX2	32314544	1.20	168/137		83.1%			
BFL130NX2	Alternate Firing Rate	1.10	154/127		83.5%			1/2 HP
BFL145TNX2	32314507	1.20	168/137		83.1%			
BFL130TNX2	Alternate Firing Rate	1.10	154/127		83.5%			1 HP
BFL100RF2	32310023	0.85	119/102			85.3%		
BFL90RF-2	Alternate Firing Rate	0.75	105/90			85.6%		1/2 HP
BFL100B2U2	32310015C	0.85	119/101				85.4%	
BFL90B2U2	Alternate Firing Rate	0.75	105/90				86.4%	1/2 HP
BFL120B2U2		1.00	140/117				83.7%	

BOLD TYPE indicates factory-equipped firing rate. Other firing rates shown utilize field-supplied nozzles. T = Thermal Efficiency

DRIVES		BREECH	SHIP WEIGHT (LBS.)	DIMENSIONS			AC RANGE IN TONS	COOLING COIL SELECTIONS
BELT DRIVE	HEIGHT			WIDTH	DEPTH			
1/3 HP	Rear Flue	290	41"	22"	51-1/2"		BCL 90 TO 145 Cased Cooling Coils 2 Ton CC24A3G-220R-066 2.5 Ton CC30C3G-220R-066 3 Ton CC36B3G-220R-066 3.5 Ton CC42C3G-220R-066 4 Ton CC48B3G-220R-066 5 Ton CC60D3G-260R-066	
	Rear Flue	290	41"	22"	51-1/2"	Up to 4 Tons		
	Rear Flue	290	41"	22"	51-1/2"	Up to 5 Tons		
1/2 HP	Rear Flue	290	41"	22"	51-1/2"	Up to 4 Tons		
	Rear Flue	290	41"	22"	51-1/2"	Up to 4 Tons		
	Rear Flue	290	41"	22"	51-1/2"	Up to 5 Tons		
3/4 HP	Rear Flue	453	56"	26"	49"	Up to 4 Tons	BCL 170 TO 225 Cased Cooling Coils 3- 4 Ton N/A 5 Ton CC60D3G-260R-066	
1 HP	Rear Flue	464	56"	26"	49"	Up to 5 Tons		
	Rear Flue	280	41"	22"	51-1/2"	Up to 4 Tons	BCL 90 TO 120 Cased Cooling Coils 2 Ton CC24A3G-220R-066 3 Ton CC36B3G-220R-066 3.5 Ton CC42C3G-220R-066	
	Rear Flue	290	41"	22"	51-1/2"	Up to 4 Tons		
	Rear Flue	290	41"	22"	51-1/2"	Up to 5 Tons		
1/3 HP	Front Flue	280	41"	22"	51-1/2"		BFL Cased Cooling Coils 2 Ton CC24A3G-220R-066 2.5 Ton CC30C3G-220R-066 3 Ton CC36B3G-220R-066 3.5 Ton CC42C3G-220R-066 4 Ton CC48B3G-220R-066 5 Ton CC60D3G-260R-066	
	Front Flue	280	41"	22"	51-1/2"	Up to 4 Tons		
	Front Flue	290	41"	22"	51-1/2"	Up to 5 Tons		
1/2 HP	Front Flue	280	41"	22"	51-1/2"	Up to 4 Tons		
	Front Flue	280	41"	22"	51-1/2"	Up to 4 Tons		
	Front Flue	280	41"	22"	51-1/2"	Up to 5 Tons		
	Front Flue	280	41"	22"	51-1/2"	Up to 4 Tons		
	Front Flue	280	41"	22"	51-1/2"	Up to 4 Tons		
	Front Flue	280	41"	22"	51-1/2"	Up to 4 Tons		

Specifications - Lowboy Series - BML, BMLV

MODEL	ITEM NUMBER	FIRING RATE GPH	INPUT/ OUTPUT MBH	AFUE-CHIMNEY VENT		AFUE - DIRECT VENT		ECM VARIABLE SPEED
				BECKETT AF	RIELLO 40F3	BECKETT AFII-85	RIELLO 40BF3	
BML80B2	32308075	0.65	91/76	84.0%				
BML60B2	Alternate Firing Rate	0.50	70/59	84.0%				
BML90B2		0.75	105/85	83.0%				
BML80B2	32308070	0.65	91/76	84.0%				
BML60B2	Alternate Firing Rate	0.50	70/59	84.0%				
BML90B2		0.75	105/85	83.0%				
BMLV80B2	32308076	0.65	91/76	84.0%				1/2 HP
BMLV60B2	Alternate Firing Rate	0.50	70/59	84.0%				
BMLV90B2		0.75	105/85	83.0%				
BML80BRF2	32308073	0.65	91/77		85.2%			
BML60BFR2	Alternate Firing Rate	0.50	70/60		86.4%			
BML90BFR2		0.75	105/88		83.0%			
BMLV80BFR2	32308078	0.65	91/77		85.4%			1/2 HP
BMLV60BFR2	Alternate Firing Rate	0.50	70/60		86.4%			
BMLV90BFR2		0.75	105/88		83.0%			
BML80BB2U2	32308072C	0.65	91/76			84.3%		
BML60BB2U2	Alternate Firing Rate	0.55	70/59			85.6%		
BML90BB2U2		0.75	105/88			83.8%		
BMLV80BB2U2	32308077C	0.65	91/76			84.3%		1/2 HP
BMLV60BB2U2	Alternate Firing Rate	0.55	70/59			85.6%		
BMLV90BB2U2		0.75	105/88			83.8%		
BML80BRBU2	32308074C	0.65	91/78				86.1%	
BML60BRBU2	Alternate Firing Rate	0.50	70/61				87.2%	
BML90BRBU2		0.75	105/89				84.7%	
BMLV80BRBU2	32308079C	0.65	91/78				86.1%	1/2 HP
BMLV60BRBU2	Alternate Firing Rate	0.50	70/61				87.2%	
BMLV90BRBU2		0.75	105/89				84.7%	

BOLD TYPE indicates factory-equipped firing rate. Other firing rates shown utilize field-supplied nozzles.

MOTOR DRIVES		BREECH	SHIP WEIGHT (LBS.)	DIMENSIONS			AC RANGE IN TONS	COOLING COIL SELECTIONS
PSC DIRECT DRIVE	BELT DRIVE			HEIGHT	WIDTH	DEPTH		
	1/2 HP	Rear Flue	240	32"	22"	51-1/2"		BML Cased Cooling Coils 2 Ton CC24A3G-220R-066 2.5 Ton CC30C3G-220R-066 3 Ton CC36B3G-220R-066
1/2 HP		Rear Flue	240	32"	22"	51-1/2"	Up to 3.5 Tons	
		Rear Flue	240	32"	22"	51-1/2"	Up to 3 Tons	
1/2 HP		Rear Flue	240	32"	22"	51-1/2"	Up to 3.5 Tons	
		Rear Flue	240	32"	22"	51-1/2"	Up to 3 Tons	
1/2 HP		Rear Flue	240	32"	22"	51-1/2"	Up to 3.5 Tons	
		Rear Flue	240	32"	22"	51-1/2"	Up to 3 Tons	
1/2 HP		Rear Flue	240	32"	22"	51-1/2"	Up to 3.5 Tons	
		Rear Flue	240	32"	22"	51-1/2"	Up to 3 Tons	
1/2 HP		Rear Flue	240	32"	22"	51-1/2"	Up to 3.5 Tons	
		Rear Flue	240	32"	22"	51-1/2"	Up to 3 Tons	
		Rear Flue	240	32"	22"	51-1/2"	Up to 3 Tons	

Specifications - Highboy Series - HML, HMLV, HTL, HTLV

MODEL	ITEM NUMBER	FIRING RATE GPH	INPUT/ OUTPUT MBH	AFUE-CHIMNEY VENT			AFUE - DIRECT VENT	
				BECKETT AF	BECKETT NX	RIELLO 40F3	BECKETT AFII-85	RIELLO 40BF3
HML80C2	31308070	0.65	91/76	83.3%				
HML60C2	Alternate Firing Rate	0.50	70/59	83.1%				
HMLV80C2	31308076	0.65	91/76	83.3%				
HMLV60C2	Alternate Firing Rate	0.50	70/59	83.1%				
HML80CNX2	31308085	0.65	91/76		85.7%			
HML60CNX2	Alternate Firing Rate	0.50	70/60		86.4%			
HML90CNX2		0.75	105/88		84.3%			
HML100CNX2		0.85	119/98		83.4%			
HMLV80CNX2		31308090	0.65	91/76		85.7%		
HMLV60CNX2	Alternate Firing Rate	0.50	70/60		86.4%			
HMLV90CNX2		0.75	105/88		84.3%			
HMLV100CNX2		0.85	119/98		83.4%			
HML80CRF2		31308073	0.65	91/77			85.2%	
HML60CRF2	Alternate Firing Rate	0.50	70/60			86.3%		
HML90CRF2		0.75	105/87			83.2%		
HMLV80CRF2		31308078	0.65	91/77			85.2%	
HMLV60CRF2	Alternate Firing Rate	0.50	70/60			86.3%		
HMLV90CRF2		0.75	105/87			83.2%		
HML80CB2U2		31308072C	0.65	91/77				83.9%
HML60CB2U2	Alternate Firing Rate	0.55	77/65				84.6%	
HML90CB2U2		0.75	105/88				83.3%	
HMLV80CB2U2		31308077C	0.65	91/77				83.9%
HMLV60CB2U2	Alternate Firing Rate	0.55	77/65				84.6%	
HMLV90CB2U2		0.75	105/88				83.3%	
HML80CRBU2		3130874C	0.65	91/77				
HML60CRBU2	Alternate Firing Rate	0.50	70/61					86.7%
HML90CRBU2		0.75	105/88					84.5%
HMLV80CRBU2		31308079C	0.65	91/77				
HMLV60CRBU2	Alternate Firing Rate	0.50	70/61					86.7%
HMLV90CRBU2		0.75	105/88					84.5%
HTL120D2		31312070	1.00	140/117	83.0%			
HTL90D2	Alternate Firing Rate	0.75	105/84	83.4%				
HTL100D2		0.85	119/101	84.0%				
HTL115DRF2		31311573	0.95	133/113			84.1%	
HTL90DRF2	Alternate Firing Rate	0.75	105/91			86.5%		
HTL100DRF2		0.85	119/102			85.3%		
HTLV115DRF2		31311578	0.95	133/113			84.1%	
HTLV90DRF2	Alternate Firing Rate	0.75	105/91			86.5%		
HTLV100DRF2		0.85	119/102			85.3%		

BOLD TYPE indicates factory-equipped firing rate. Other firing rates shown utilize field-supplied nozzles. T = Thermal Efficiency

MOTOR DRIVES		BREECH	SHIP WEIGHT (LBS.)	DIMENSIONS			AC RANGE IN TONS	COOLING COIL SELECTIONS
ECM VARIABLE SPEED	PSC DIRECT DRIVE			HEIGHT	WIDTH	DEPTH		
	1/2 HP	Front Flue	250	49-5/8"	22"	30-3/4"	Up to 3.5 Tons	HML & HMLV CASED COOLING COILS 2 Ton CC24A3G-220R-066 2.5 Ton CC30C3G-220R-066 3 Ton CC36B3G-220R-066 3.5 Ton CC42C3G-220R-066
1/2 HP		Front Flue	250	49-5/8"	22"	30-3/4"	Up to 3.5 Tons	
	1/2 HP	Front Flue	250	49-5/8"	22"	30-3/4"	Up to 3.5 Tons	
1/2 HP		Front Flue	250	49-5/8"	22"	30-3/4"	Up to 3.5 Tons	
	1/2 HP	Front Flue	250	49-5/8"	22"	30-3/4"	Up to 3.5 Tons	
1/2 HP		Front Flue	250	49-5/8"	22"	30-3/4"	Up to 3.5 Tons	
	1/2 HP	Front Flue	250	49-5/8"	22"	30-3/4"	Up to 3.5 Tons	
1/2 HP		Front Flue	250	49-5/8"	22"	30-3/4"	Up to 3.5 Tons	
	1/2 HP	Front Flue	250	49-5/8"	22"	30-3/4"	Up to 3.5 Tons	
1/2 HP		Front Flue	250	49-5/8"	22"	30-3/4"	Up to 3.5 Tons	
	1/2 HP	Front Flue	250	49-5/8"	22"	30-3/4"	Up to 3.5 Tons	
1/2 HP		Front Flue	250	49-5/8"	22"	30-3/4"	Up to 3.5 Tons	
	1/2 HP	Front Flue	250	49-5/8"	22"	30-3/4"	Up to 3.5 Tons	
1/2 HP		Front Flue	250	49-5/8"	22"	30-3/4"	Up to 3.5 Tons	
	1/2 HP	Front Flue	270	58"	22"	30-3/4"	Up to 3.5 Tons	HTL & HTLV CASED COOLING COILS 2 Ton CC24A3G-220R-066 2.5 Ton CC30C3G-220R-066 3 Ton CC36B3G-220R-066 3.5 Ton CC42C3G-220R-066
	1/2 HP	Front Flue	270	58"	22"	30-3/4"	Up to 3.5 Tons	
1/2 HP		Front Flue	270	58"	22"	30-3/4"	Up to 3.5 Tons	

Specifications - Multi-Position Series (3 Positions) - WML,

MODEL	ITEM NUMBER	FIRING RATE GPH	INPUT/ OUTPUT MBH	AFUE-CHIMNEY VENT				AFUE - DIRECT	
				BECKETT AF	BECKETT NX	RIELLO 40F3	RIELLO 40F5	BECKETT AFII-85	BECKETT AFII-150
WML60C2	34306080	0.50	70/59	83.3%					
WML60C2*	34306040	0.50	70/59	83.3%					
WMLV60C2	34306076	0.50	70/59	83.3%					
WMLV60C2*	34306046	0.50	70/59	83.3%					
WML80CNX2	34308085	0.65	91/77		85.5%				
WML60CNX2	Alternate Firing Rate	0.50	70/60		86.3%				
WML90CNX2		0.75	105/88		85.0%				
WMLV80CNX2	34308090	0.65	91/77		85.5%				
WMLV60CNX2	Alternate Firing Rate	0.50	70/60		86.3%				
WMLV90CNX2		0.75	105/88		85.0%				
WML80CRF2	34308073	0.65	91/76			83.3%			
WML60CRF2	Alternate Firing Rate	0.51	71/61			85.2%			
WML90CRF2		0.75	105/88			83.4%			
WMLV80CRF2	34308078	0.65	91/76			83.3%			
WMLV60CRF2	Alternate Firing Rate	0.51	91/76			85.2%			
WMLV90CRF2		0.75	105/88			83.4%			
WML80CB2U2	34308072C	0.65	91/76					83.6%	
WML60CB2U2	Alternate Firing Rate	0.55	77/63					84.1%	
WML90CB2U2		0.75	105/85					83.6%	
WMLV80CB2U2	34308077C	0.65	91/76					83.6%	
WMLV60CB2U2	Alternate Firing Rate	0.55	77/63					84.1%	
WMLV90CB2U2		0.75	105/85					83.6%	
WML80CRBU2	34308074C	0.65	91/78						
WML60CRBU2	Alternate Firing Rate	0.51	71/62						
WML90CRBU2		0.75	105/89						
WMLV80CRBU2	34308079C	0.65	91/78						
WMLV60CRBU2	Alternate Firing Rate	0.51	71/62						
WMLV90CRBU2		0.75	105/89						
MPL120B2	34312070	1.00	140/118	83.3%					
MPL90B2	Alternate Firing Rate	0.75	105/90	85.0%					
MPL100B2		0.85	119/97	83.2%					
MPL120BRF2	34312073	1.00	140/117				83.8%		
MPL90BRF2	Alternate Firing Rate	0.75	105/92				86.6%		
MPL100BRF2		0.85	119/101				83.7%		
MPL130BRF2		1.10	154/127				83.0%		
MPL120BB2U2	34312072C	1.00	140/118						84.8%
MPL90BB2U2	Alternate Firing Rate	0.75	105/88						83.6%
MPL100BB2U2		0.85	119/101						84.5%

BOLD TYPE indicates factory-equipped firing rate. Other firing rates shown utilize field-supplied nozzles.

* With Vestibule

WMLV, MPL

VENT	MOTOR DRIVES		BREECH	SHIP WEIGHT (LBS.)	DIMENSIONS			AC RANGE IN TONS	COOLING COIL SELECTIONS
	RIELLO 40BF3	ECM VARIABLE SPEED			PSC DIRECT DRIVE	HEIGHT	WIDTH		
		1/2 HP	Front Flue	265	55-1/4"	22"	22-1/8"	Up to 3 Tons	WML & WMLV CASED COOLING COILS 2 Ton CC24A3G-220R-066 2.5 Ton CC30C3G-220R-066 3 Ton CC36B3G-220R-066
		1/2 HP	Front Flue	275	55-1/4"	22"	22-1/8"	Up to 3 Tons	
	1/2 HP		Front Flue	265	55-1/4"	22"	22-1/8"	Up to 3 Tons	
	1/2 HP		Front Flue	275	55-1/4"	22"	22-1/8"	Up to 3 Tons	
		1/2 HP	Front Flue	265	55-1/4"	22"	22-1/8"	Up to 3 Tons	
	1/2 HP		Front Flue	265	55-1/4"	22"	22-1/8"	Up to 3 Tons	
		1/2 HP	Front Flue	265	55-1/4"	22"	22-1/8"	Up to 3 Tons	
	1/2 HP		Front Flue	265	55-1/4"	22"	22-1/8"	Up to 3 Tons	
		1/2 HP	Front Flue	265	55-1/4"	22"	22-1/8"	Up to 3 Tons	
	1/2 HP		Front Flue	265	55-1/4"	22"	22-1/8"	Up to 3 Tons	
		1/2 HP	Front Flue	265	55-1/4"	22"	22-1/8"	Up to 3 Tons	
	1/2 HP		Front Flue	265	55-1/4"	22"	22-1/8"	Up to 3 Tons	
86.1%		1/2 HP	Front Flue	265	55-1/4"	22"	22-1/8"	Up to 3 Tons	
86.8%									
84.6%									
86.1%	1/2 HP		Front Flue	265	55-1/4"	22"	22-1/8"	Up to 3 Tons	
86.8%									
84.6%									
		3/4 HP	Front Flue	320	62"	22-1/4"	22-1/4"	Up to 3 Tons	MPL CASED COOLING COILS 2 Ton CC24A3G-220R-066 2.5 Ton CC30C3G-220R-066 3 Ton CC36B3G-220R-066
		3/4 HP	Front Flue	320	62"	22-1/4"	22-1/4"	Up to 3 Tons	
		3/4 HP	Front Flue	320	62"	22-1/4"	22-1/4"	Up to 3 Tons	

Olsen

Oil Furnaces

ECR International takes pride in offering a full line of heating and cooling appliances including the Olsen brand of oil furnaces. The full line of quality Olsen oil furnaces offers brand recognition, application versatility and a wide range of energy-efficient models that are easy to install and maintain.

Olsen products have been manufactured for over 60 years, and ECR International is committed to providing you with the best heating products and support to allow you to service your customers better. Browse our products online at www.olsenhvac.com to learn more about how Olsen can meet your heating needs.



ECR international
EST. 1928

A Family of Heating & Cooling Brands.

ECR International, Inc. 2201 Dwyer Ave, Utica, NY 13501

Phone: (315) 797-1310 or (800) 325-5479

www.olsenhvac.com

©2017 All Rights Reserved

All ratings and specifications subject to change.
Testimonial included within this brochure reflects an individual product experience. Results may vary.

PN 240009878 Rev. 2/17