



I2K® ICE MAKER BOX TECHNICAL SPECIFICATION

Job Name _____	Item # _____
Location _____	
Engineer _____	Contractor _____
PO # _____	Tag _____
Representative _____	

SPECIFICATIONS

Oatey Ice Maker boxes can be used in commercial or residential applications which require supply valves recessed into the wall.

APPROVALS AND LISTINGS

Valves	ASME A112.18.1 / CSA B125.1 NSF / ANSI 61 & 372
Water Hammer Arrestors	ASSE 1010
Boxes	IAPMO-Listed, PS-54



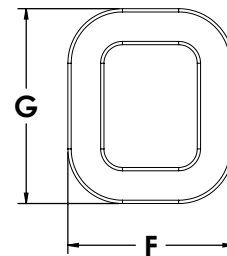
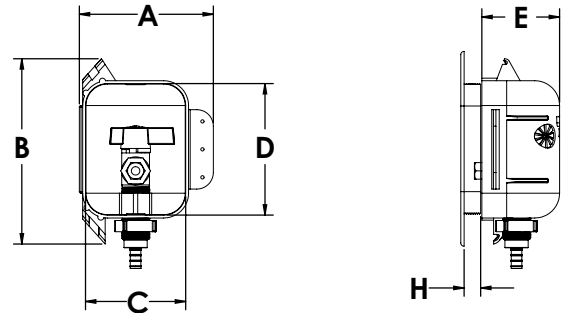
DESCRIPTION

(All dimensions in inches)

- Nails preloaded - no support bracket needed
- Right or left hand installation
- Box made of high impact polystyrene
- Valves comply with requirements of NSF 61, Section 9
- Available with Copper, CPVC, PEX and Push Connect connections
- Snap-on faceplate frame
- US Patent # D 428,117

DIMENSIONS

[A]:	Box Width	4.05"	[E]:	Box Depth	2.35"
[B]:	Box Height	5.60"	[F]:	Faceplate Width	5.00"
[C]:	Box Opening Width	3.03"	[G]:	Faceplate Height	5.89"
[D]:	Box Opening Height	3.98"	[H]:	Faceplate Depth	0.50"



Access BIM/Revit content through www.oatey.com



I2K® ICE MAKER BOX WITH NAILS TECHNICAL SPECIFICATION

PRODUCT SELECTOR

I2K® ICE MAKER BOX WITH NAILS - NO HAMMER LOW LEAD			
✓	Product Number	Description	
	39131	I2K, 1/4 Turn, 3/8 PEX, Low Lead - Standard Pack	6
	39134	I2K, 1/4 Turn, Copper, Low Lead - Standard Pack	6
	39135	I2K, 1/4 Turn, Copper, Low Lead - Contractor Pack	12
	39130	I2K, 1/4 Turn, Copper, Low Lead - Display Pack	4
	39133	I2K, 1/4 Turn, CPVC, Low Lead - Standard Pack	6
	39137	I2K, 1/4 Turn, CPVC, Low Lead - Contractor Pack	12
	39136	I2K, 1/4 Turn, F1807, Low Lead - Standard Pack	6
	39138	I2K, 1/4 Turn, F1807, Low Lead - Contractor Pack	12
	39132	I2K, 1/4 Turn, F1960, Low Lead - Contractor Pack	12
	39139	I2K, Boiler Drain, Copper, Low Lead, NAFTA - Standard Pack	6
	38332	I2K, 1/4 Turn, Viega PEX Press – Standard Pack	6
	38340	I2K, 1/4 Turn, Viega PEX Press – Contractor Pack	12
	38312	I2K, 1/4 Turn, Push Connect – Standard Pack	6
	38320	I2K, 1/4 Turn, Push Connect – Contractor Pack	12
I2K® ICE MAKER BOX WITH NAILS - HAMMER LOW LEAD			
	39125	I2K, 1/4 Turn, Copper, Low Lead - Contractor Pack	12
	39126	I2K, 1/4 Turn, CPVC, Low Lead - Contractor Pack	12
	39127	I2K, 1/4 Turn, F1807, Low Lead - Contractor Pack	12
	39128	I2K, 1/4 Turn, F1960, Low Lead - Contractor Pack	12
	38333	I2K, 1/4 Turn, Viega PEX Press – Standard Pack	6
	38313	I2K, 1/4 Turn, Push Connect – Standard Pack	6
	38622	I2K, 1/4 Turn, Push Connect – Contractor Pack	12
ACCESSORIES			
	38619	I2K, Plain Box, No Valves - Standard Pack	6
	38621	I2K, Plastic Faceplate 1/2" Deep	12
	38622	I2K, Plastic Faceplate 1" Deep	12

Valves meet ASME A112.18.1

Data is subject to manufacturing tolerances.

Access BIM/Revit content through www.oatey.com