



# CENTRO II WASHING MACHINE OUTLET BOX TECHNICAL SPECIFICATION

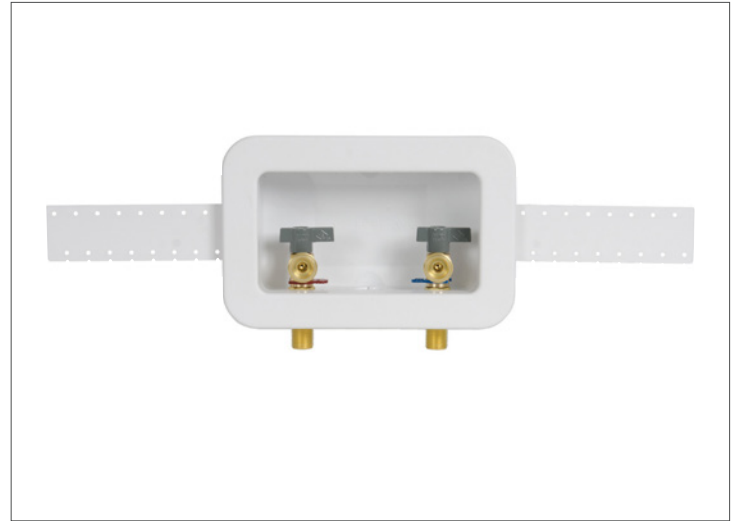
Job Name _____	Item # _____
Location _____	
Engineer _____	Contractor _____
PO # _____	Tag _____
Representative _____	

## SPECIFICATIONS

Oatey's Centro II Washing Machine Box is used for commercial and residential washing machine applications. Oatey's Centro WMOB can be mounted with the valves on the top or bottom. Oatey's WMOB comes with two support brackets and two piece valves.

## DESCRIPTION

- Takes up less space and will fit almost anywhere.
- WMOB made of PVC.
- Brackets and Faceplate made of HIPS.
- 2 knockout drain caps.
- 2" Socket Hubs.
- Mountable with valves on top or bottom.
- 2 piece valves come uninstalled or installed.
- Two support brackets.
- Available in a wide variety of tailpiece configurations and packaging options.



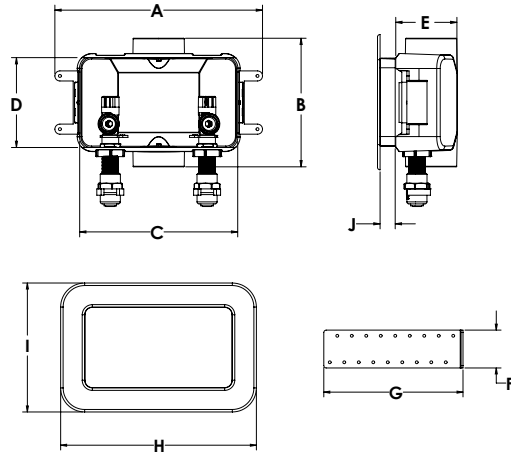
## APPROVALS AND LISTINGS

Valves	ASME A112.18.1 / CSA B125.1 NSF / ANSI 61 & 372
Water Hammer Arrestors	ASSE 1010
Boxes	IAPMO-Listed, PS-54



## DIMENSIONS

[A]:	Box Width	10.30"	[F]:	Bracket Height	1.97"
[B]:	Box Height	6.38"	[G]:	Bracket Width	7.25"
[C]:	Box Opening Width	7.84"	[H]:	Faceplate Width	10.19"
[D]:	Box Opening Height	4.46"	[I]:	Faceplate Height	6.71"
[E]:	Box Depth	3.03"	[J]:	Faceplate Depth	0.75"



## PRODUCT SELECTOR

NO HAMMER ASSEMBLED			
✓	Product Number	Description	CTN. QTY.
	38100	¼ Turn, Copper, No Hammer, Assembled, Standard Pack	12
	38102	¼ Turn, CPVC, No Hammer, Assembled, Standard Pack	12
	38104	¼ Turn, ASTM F1807, No Hammer, Assembled, Standard Pack	12
	38106	¼ Turn, ASTM F1960, No Hammer, Assembled, Standard Pack	12
	38150	¼ Turn, Copper, No Hammer, Assembled, Contractor Pack	12
	38153	¼ Turn, CPVC, No Hammer, Assembled, Contractor Pack	12

Access BIM/Revit content through [www.oatey.com](http://www.oatey.com)



# CENTRO II WASHING MACHINE OUTLET BOX TECHNICAL SPECIFICATION

## PRODUCT SELECTOR

NO HAMMER ASSEMBLED (CONTINUED)			
✓	Product Number	Description	CTN. QTY.
	38151	¼ Turn, ASTM F1807, No Hammer, Assembled, Contractor Pack	12
	38152	¼ Turn, ASTM F1960, No Hammer, Assembled, Contractor Pack	12
	38322	¼ Turn, Push Connect, No Hammer, Assembled, Contractor Pack	12
	38334	¼ Turn, Viega, No Hammer, Standard Pack	12
	38335	¼ Turn, Viega, No Hammer, Standard Pack	12
	38342	¼ Turn, Vega, No Hammer, Contractor Pack	12
HAMMER ASSEMBLED			
	38101	¼ Turn, Copper, Hammer, Assembled, Standard Pack	12
	38103	¼ Turn, CPVC, Hammer, Assembled, Standard Pack	12
	38105	¼ Turn, ASTM F1807, Hammer, Assembled, Standard Pack	12
	38107	¼ Turn, ASTM F1960, Hammer, Assembled, Standard Pack	12
	38154	¼ Turn, Copper, Hammer, Assembled, Contractor Pack	12
	38157	¼ Turn, CPVC, Hammer, Assembled, Contractor Pack	12
	38155	¼ Turn, ASTM F1807, Hammer, Assembled, Contractor Pack	12
	38156	¼ Turn, ASTM F1960, Hammer, Assembled, Contractor Pack	12
	38323	¼ Turn, Push Connect, Hammer, Assembled, Contractor Pack	12
NO HAMMER UNASSEMBLED			
	38108	¼ Turn, Copper, No Hammer, Unassembled, Standard Pack	12
	38110	¼ Turn, CPVC, No Hammer, Unassembled, Standard Pack	12
	38112	¼ Turn, ASTM F1807, No Hammer, Unassembled, Standard Pack	12
	38114	¼ Turn, ASTM F1960, No Hammer, Unassembled, Standard Pack	12
HAMMER UNASSEMBLED			
	38108	¼ Turn, Copper, No Hammer, Unassembled, Standard Pack	12
	38110	¼ Turn, CPVC, No Hammer, Unassembled, Standard Pack	12
	38112	¼ Turn, ASTM F1807, No Hammer, Unassembled, Standard Pack	12
	38114	¼ Turn, ASTM F1960, No Hammer, Unassembled, Standard Pack	12
PLAIN BOXES			
	38120	Plain Box, Display Pack	4
	38121	Plain Box, Standard Pack	12
ACCESSORIES			
	38381	Centro II, Plastic Faceplate	12
	38383	Brackets 12" Long Plastic	12
	38294	Hot/Cold Temperature Indicator Clips for Supply Valves (12 Red, 12 Blue)	24