

# ULTRA-ZONE®

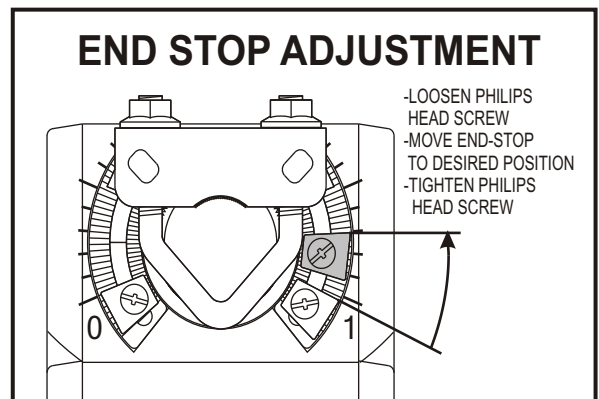
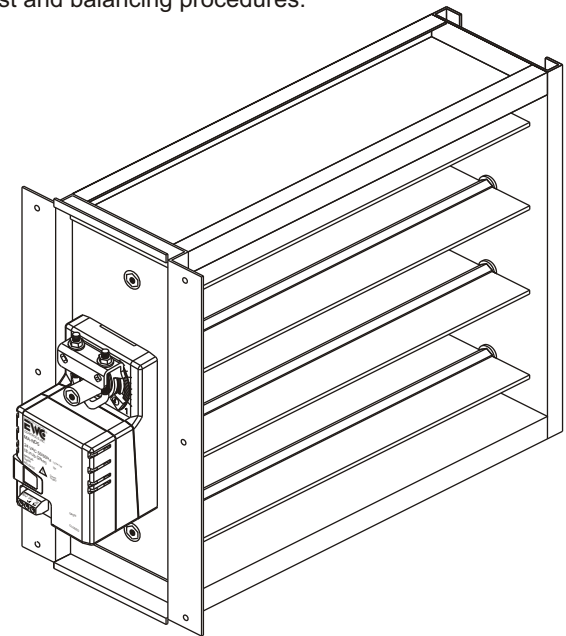
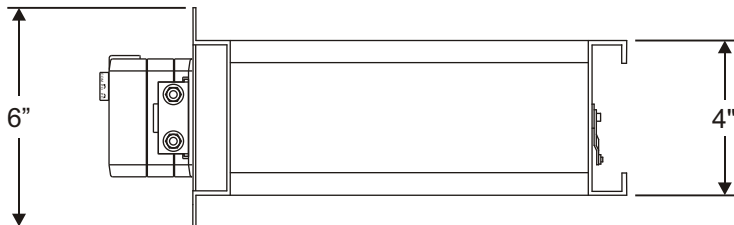
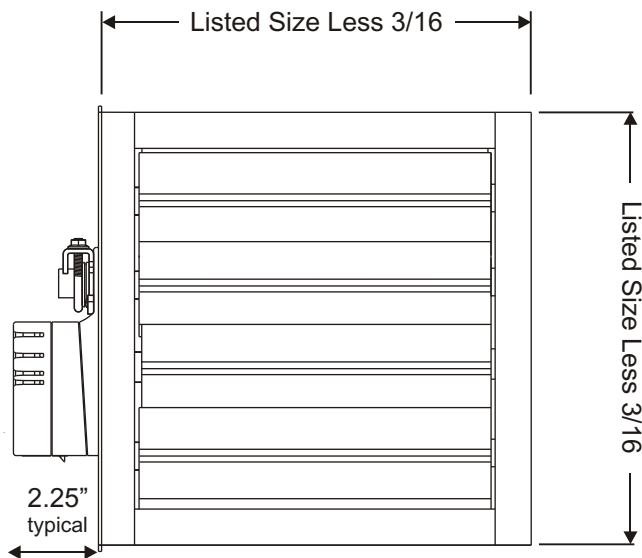
Forced Air Zone Controls

## SUBMITTAL SHEET

Model ND Rectangular Dampers  
with MA-ND5 Actuator

- The ND Damper is constructed using Heavy Duty 0.80" extruded aluminum.
- Nylon Bearings for quiet operation.
- Overlapping parallel blade design.
- Reliable operation up to 1.5"wc and 1500FPM duct velocities.
- The UL Listed Motor Actuator.
- 24vac 3 wire power open/ power close or floating function.
- The motor actuator is rated at 18"lbs. of torque. Superior to low torque Spring type motors.
- The Motor Actuator housing is rated NEMA1.
- Integrated End-Stop Adjustment allows a percentage of Relief Air (Leakage) when the damper is powered closed.
- You may set a maximum open position as well, which is useful during test and balancing procedures.
- Bright green and red LED's Indicate damper open and closed position.

### DIMENSIONAL DRAWINGS



385 Hwy. 33  
Englishtown, NJ 07726  
Ph: 800-446-3110  
Fx: 732-446-5362

#### SUBMITTAL FORM

SUBMITTED BY: \_\_\_\_\_  
 JOB: \_\_\_\_\_  
 ARCHITECT: \_\_\_\_\_  
 ENGINEER: \_\_\_\_\_  
 CONTRACTOR: \_\_\_\_\_  
 LOCATION: \_\_\_\_\_

### SIZING

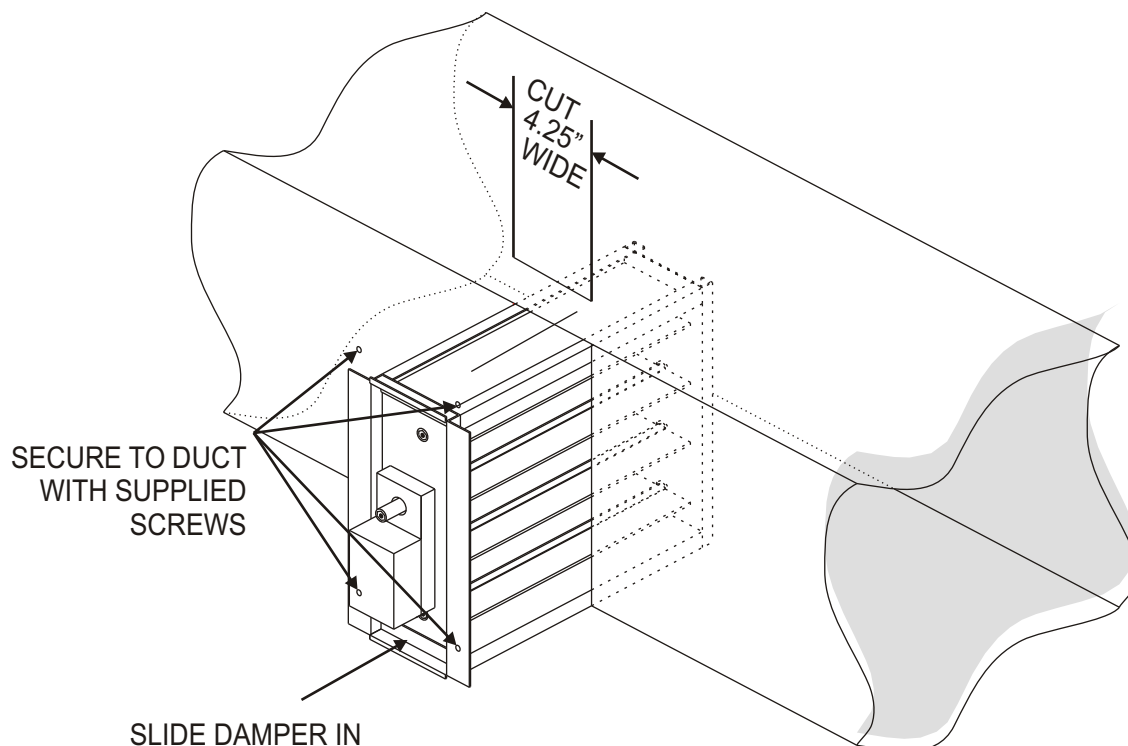
ND Dampers are available in sizes 6" x 8" thru 30" x 30" in one inch increments.

Custom Sizes can be manufactured, contact EWC Controls Inc. Make sure to specify your required dimensions.

The 2nd specified dimension is ALWAYS the motor side. i.e. 12" X 14" ND Damper will place the motor on the 14" side.

### DAMPER INSTALLATION

On the side of the duct, where the damper is to be mounted, cut a 4.25" wide slotted opening. Slide the damper into the opening and secure the damper to the duct with the sheet metal screws. *Airflow can be from either direction and the Motor can be oriented in any position.* Larger sizes may require additional support by securing the back of the damper.

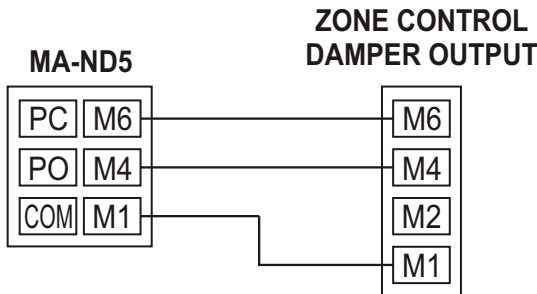


### WIRING SOLUTIONS

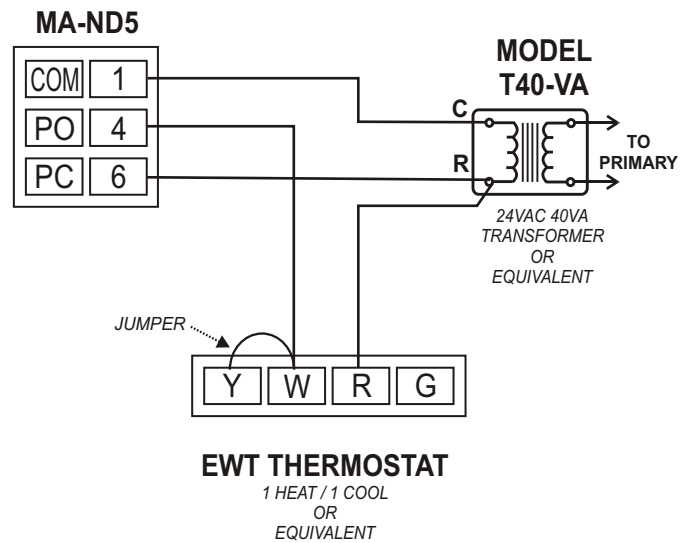
#### Motor Actuator Terminals

TERMINAL	DESCRIPTION
1 / COM	24v Common
4 / PO	24v Power to Open
6 / PC	24v Power to Close

#### Wiring to a Zone Control Panel



#### Wiring a Thermostat to Control a Single Damper



#### Wiring in Parallel

