

# MOEN®

## Specifications

### DESCRIPTION

- Elongated bidet toilet seat (electronic) with remote control
- Colors: White, Biscuit (PANTONE 9225 C)

### OPERATION

- Use as a retrofit product to convert regular elongated toilet seat to an electronic bidet toilet seat

### INSTALLATION REQUIREMENTS

- Fits most elongated bowl (see below for specifications)
  - The distance between the 2 mounting holes must be between 4-1/2" and 7" (11.4cm - 17.7cm)
  - The distance from the supply valve to the eBidet inlet should be 23-9/16" (59.8cm) or less
  - The distance between the mounting holes and the edge of the toilet bowl must be between 18" and 19-3/4" (45.7cm - 50.1cm)
  - Standard power outlet within 47" (119.4cm) of product required: 120V AC on a minimum 10A circuit
  - Requires minimum dynamic (flowing) water pressure of 11 psi (0.08MPa) and a maximum static (non-flowing) water pressure of 116 psi (0.8MPa)

### STANDARDS

- Third party certified by Intertek:
- ASME A112.4.2 / CSA B45.16 Personal hygiene devices for water closets, which includes conformity to IAPMO / ANSI Z124.5 plastic toilet seats
- CSA C22.2 no. 68 Motor-operated appliances (household and commercial)
- CSA C22.2 no. 64 Household cooking and liquid-heating appliances
- UL 1431 standard for personal hygiene and health care appliances
- ADA Compliant

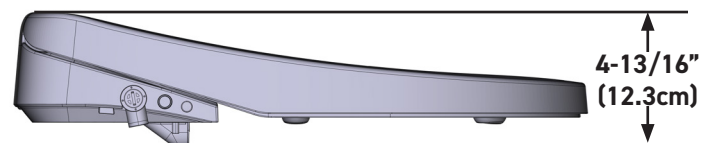
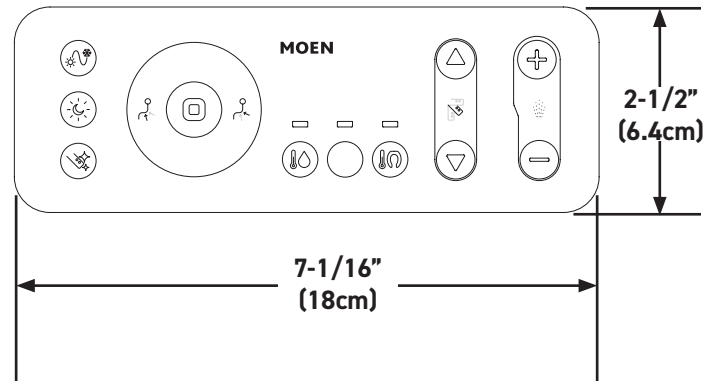
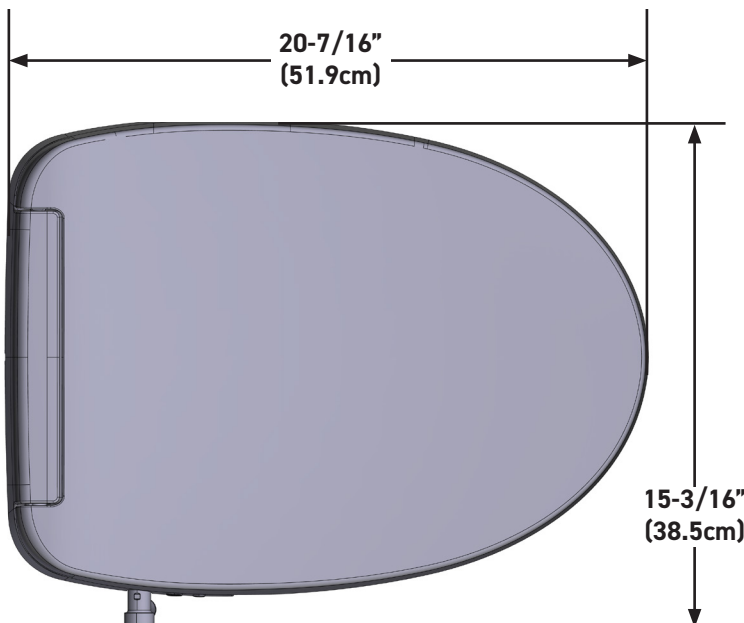
### WARRANTY

- Limited 3 year warranty against leaks and finish defects to the original consumer purchaser
  - 1 year warranty if used in commercial installations
- Visit [www.moen.com/support](http://www.moen.com/support) for complete details and limitations



MOEN®  
eBidet

MODELS: EB1500-E, EB1500-EBS



**CRITICAL DIMENSIONS** DO NOT SCALE

## MOEN® eBidet Feature Comparison Chart



EB1500-E with Remote



EB1500-EBS with Remote



EB2000 with Remote



EB2000-R with Remote



EB2100-E with Remote

	EB1500-E with Remote	EB1500-EBS with Remote	EB2000 with Remote	EB2000-R with Remote	EB2100-E with Remote
<b>POWER</b>					
Electrical Outlet Required	•	•	•	•	•
<b>CLEANSING</b>					
Anterior Cleanse	•	•	•	•	•
Posterior Cleanse	•	•	•	•	•
Oscillating Cleanse	•	•	•	•	•
Pulsating Cleanse	•	•	•	•	•
Water Pressure Control	•	•	•	•	•
Water Temperature Control	•	•	•	•	•
Nozzle Position Adjustment	•	•	•	•	•
Instantaneous Water Heating	•	•	•	•	•
<b>AIR DRYING</b>					
Air Dryer			•	•	•
Air Temperature Control			•	•	•
<b>SEAT</b>					
Round Shape				•	
Elongated Shape	•	•	•		•
Antimicrobial Seat	•	•	•	•	•
Heated Seat with Temperature Control	•	•	•	•	•
Softclose Seat and Lid	•	•	•	•	•
<b>HYGIENE</b>					
Self-Cleaning Nozzle	•	•	•	•	•
Antibacterial Nozzle (Silver Nanotech)	•	•	•	•	•
Nozzle UV Sterilization			•	•	•
Replaceable Nozzle	•	•	•	•	•
Air Purifier (Deodorizer)					•
<b>ENERGY SAVING</b>					
Auto Energy Saver	•	•	•	•	•
On/Off Button	•	•	•	•	•
<b>SENSOR</b>					
Seat Sensor	•	•	•	•	•
Night Light	•	•	•	•	•
<b>CONTROL</b>					
Remote and Knob Control	•	•	•	•	•