

MOEN[®]

COMMERCIAL

There is more than 1 version of this model.
Page down to identify the version you have.

FAUCET DESCRIPTION

- Chrome plated brass construction
- 1/2" IPS connections

OPERATION


- Lever style handles with hot and cold color indicators and vandal resistant screws

CARTRIDGE

- Ceramic disc cartridge
- Nonmetallic and nonferrous material
- 1/4 turn operation

STANDARDS

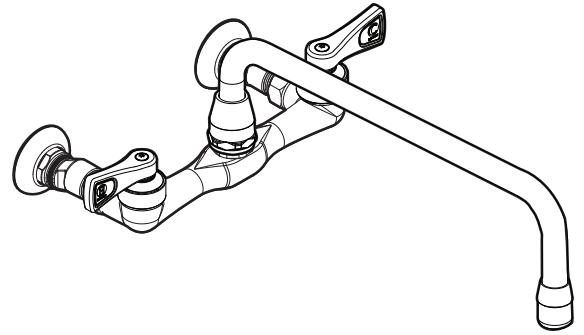
- Designed and manufactured to comply with the requirements of: ASME A112.18.1/CSA B-125.1 and all specifications referenced therein
- Certified to ANSI/NSF 61/9
- Contains no more than 0.25% weighted average lead content
- Complies with California Proposition 65 and with the Federal Safe Drinking Water Act

- **ADA**  for lever handles

WARRANTY

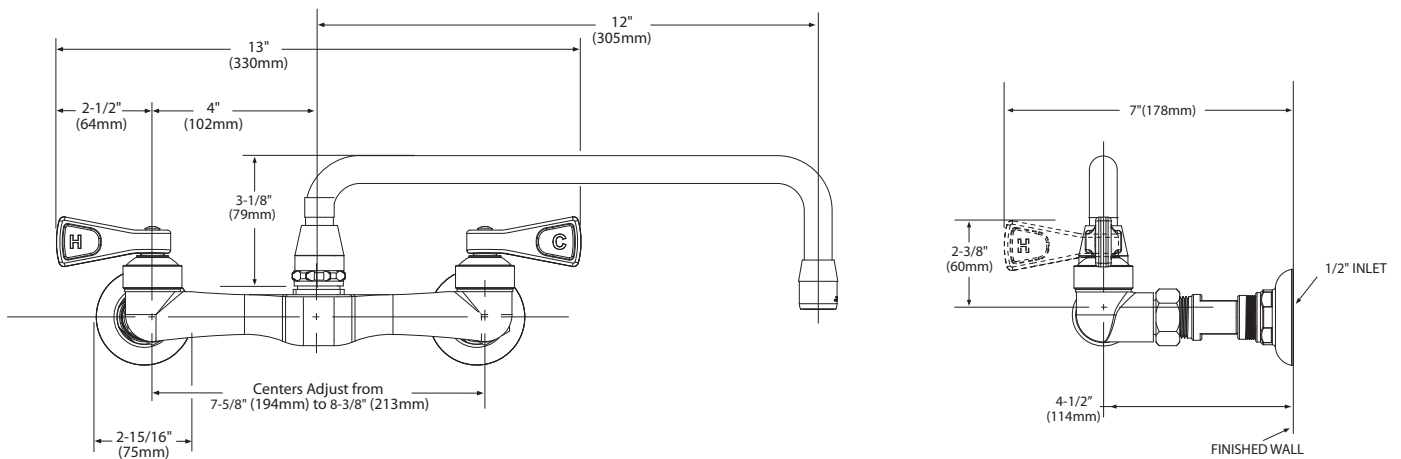
- Warranted for 5 years against material or manufacturing defects

Specifications



Two-Handle Wall Mount Faucet

Model: 8119
(for models after 3/2011)



CRITICAL DIMENSIONS

(DO NOT SCALE)

FAUCET DESCRIPTION

- Chrome plated brass construction
- 1/2" IPS connections

OPERATION


- 4" wrist blade handles with hot and cold color indicators and vandal resistant screws

CARTRIDGE

- Ceramic disc cartridge
- Nonmetallic and nonferrous material
- 1/4 turn operation

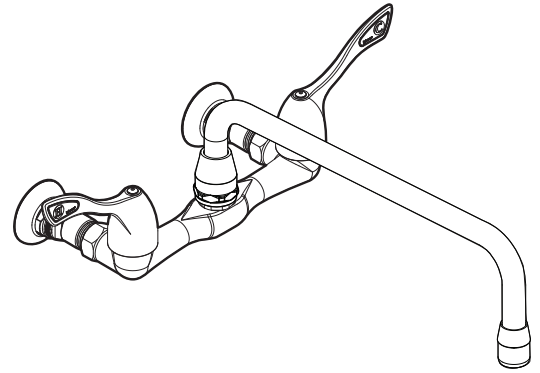
STANDARDS

- Designed and manufactured to comply with the requirements of: ASME A112.18.1/CSA B-125.1 and all specifications referenced therein
- Certified to ANSI/NSF 61/9
- Contains no more than 0.25% weighted average lead content
- Complies with California Proposition 65 and with the Federal Safe Drinking Water Act

- **ADA**  for lever handles

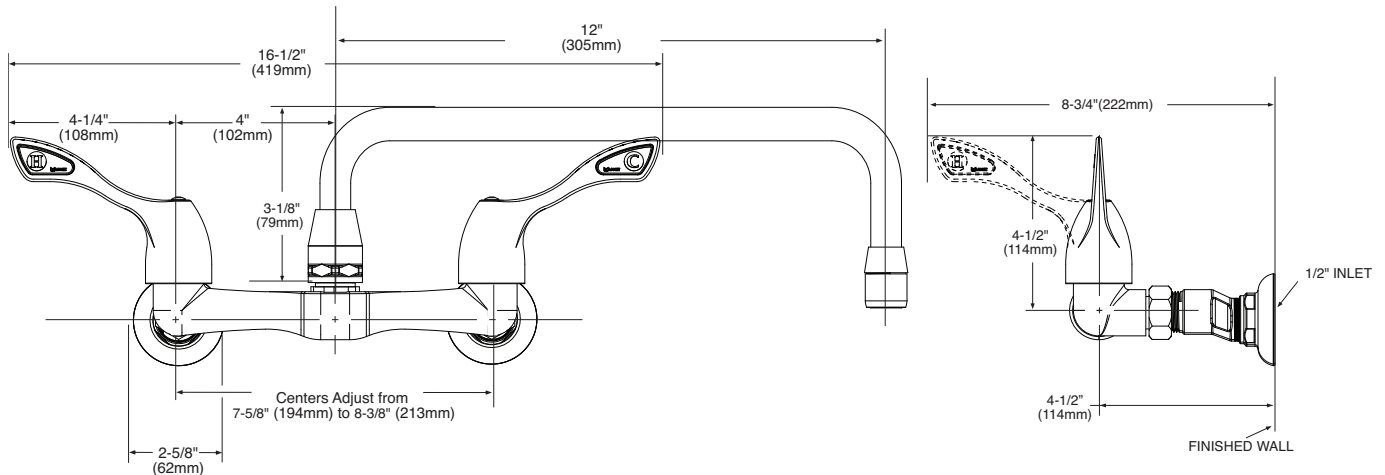
WARRANTY

- Warranted for 5 years against material or manufacturing defects



Two-Handle Wall Mount Faucet

Model: 8119



CRITICAL DIMENSIONS

(DO NOT SCALE)