



**SUNTEMP**



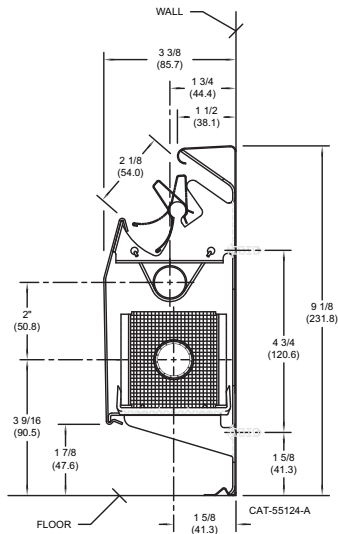
**BASEBOARD  
RADIATION**

NST High-Output 800





## DIMENSIONS



NOTE: DIMENSIONS IN (" ) ARE SHOWN IN MILLIMETERS.

## RATINGS

AVERAGE HOT WATER TEMPERATURE °F - BTU/HR./LIN. FT.

MODEL	GPM	120°	130°	140°	150°	160°	170°	180°	190°	200°
800 3/4"	4	308	386	470	560	650	750	850	940	1040
	1	292	366	445	530	620	710	800	890	980
800 1"	4	297	373	454	540	630	730	820	920	1010
	1	281	352	428	510	600	690	780	870	960

### Correction Factors

If the calculated water flow rate through a baseboard is greater than the standard flow rate (1 GPM), the rating of that unit may be increased by multiplying the standard water rating at 1 GPM by the factor shown for the actual flow rate. All ratings based on 65°F entering air temperature.

G.P.M.	HEAT OUTPUT FACTOR	PRES. DROP. 3/4" ELEMENT	(Millinches/Ft.) 1" ELEMENT	G.P.M.	HEAT OUTPUT FACTOR	PRES. DROP. 3/4" ELEMENT	(Millinches/Ft.) 1" ELEMENT
1.0	1.000	47	13	3.5	1.051	420	114
1.5	1.016	96	26	4.0	1.057	525	145
2.0	1.028	157	43	4.5	1.062	650	178
2.5	1.038	230	63	5.0	1.067	775	216
3.0	1.045	320	87	6.0	1.074	1060	290

## STANDARD ACCESSORIES

CATALOG NUMBER	DESCRIPTION	QTY.
800-REC	4" Hinged End Cap, Right	12
800-LEC	4" Hinged End Cap, Left	12
800-3REC	3" Solid End Cap, Right	10
800-3LEC	3" Solid End Cap, Left	10
800-4REC	4" Solid End Cap, Right	8
800-4LEC	4" Solid End Cap, Left	8
800-IC	90° Inside Corner	12
800-ICB	135° Inside Corner	AO
800-OC	90° Outside Corner	10
800-OCB	135° Outside Corner	AO
800-WJ	4" Wall Trim to Floor	12
800-PJ3	2" Panel Joiner (3 pcs.)	12
800-FIS	14" Filler Piece Set (3 pcs.)	AO
800-STH	Supply Tubing Lower Hanger	AO
800-RTH	Supply Tubing Upper Hanger	AO
800-BR	Support Bracket & Nylon Cradle	AO
NST-TUP	Touch-Up Spray Paint	6
800-ESC	Element Slide Cradle	12

NOTE: AO= Quantity as Ordered

## PACKAGING

COMPLETE UNIT (3/4" TUBE)	COMPLETE UNIT (1" TUBE)	ENCLOSURE ONLY	ELEMENT ONLY (3/4" TUBE)	ELEMENT ONLY (1" TUBE)	LENGTH	NO. OF ELEMENT BRACKETS
800CU75-8	800CU100-8	800CO-8	E75-8	E100-8	8'	4
800CU75-7	800CU100-7	800CO-7	E75-7	E100-7	7'	3
800CU75-6	800CU100-6	800CO-6	E75-6	E100-6	6'	3
800CU75-5	800CU100-5	800CO-5	E75-5	E100-5	5'	3
800CU75-4	800CU100-4	800CO-4	E75-4	E100-4	4'	2
800CU75-3	800CU100-3	800CO-3	E75-3	E100-3	3'	2
800CU75-2	800CU100-2	800CO-2	E75-2	E100-2	2'	2



3" End Cap



4" Hinged End Cap



90° Inside Corner



90° Outside Corner



3 Piece Panel Joiner



4" Wall Trim



135° Inside Corner



14" Filler Piece Set



Bracket & Nylon Cradle



# SUNTEMP

260 North Elm Street  
Westfield, MA 01085  
Tel: (413) 564-5555  
Fax: (413) 572-3764  
www.mestek.com

