

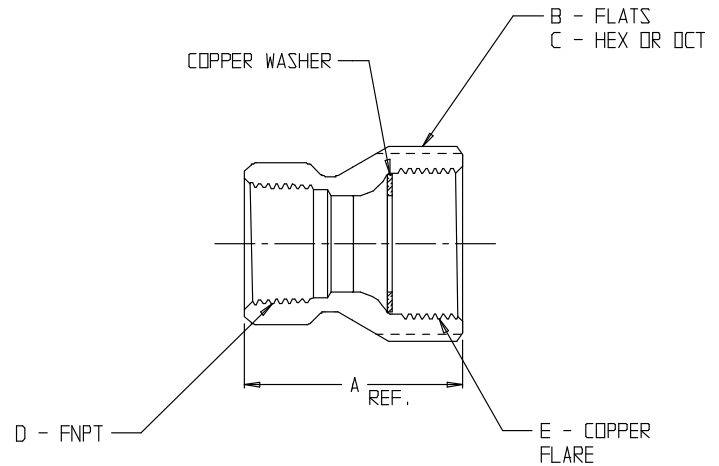
# SUBMITTAL DATA SHEET

NL Service Fitting – 74755F

FNPT x Copper Flare



MODEL	SIZE	A	B	C	D	E
74755F	1/2	1.60	1.31	HEX	1/2	1/2
74755F	3/4	1.84	1.52	OCT	3/4	3/4
74755F	3/4 X 1/2	1.60	1.31	HEX	3/4	1/2
74755F	1	1.77	1.88	OCT	1	1
74755F	1 X 3/4	1.93	1.63	HEX	1	3/4
74755F	1 X 1 1/4	2.53	2.42	OCT	1	1 1/4
74755F	1 X 1 1/2	2.71	2.81	OCT	1	1 1/2
74755F	1 X 2	3.01	3.56	OCT	1	2
74755F	1 1/4	2.56	2.38	HEX	1 1/4	1 1/4
74755F	1 1/4 X 1	2.19	2.00	OCT	1 1/4	1
74755F	1 1/4 X 1 1/2	2.93	2.81	OCT	1 1/4	1 1/2
74755F	1 1/4 X 2	3.33	3.56	OCT	1 1/4	2
74755F	1 1/2	2.54	2.81	OCT	1 1/2	1 1/2
74755F	1 1/2 X 2	2.99	3.56	OCT	1 1/2	2
74755F	2	3.02	3.56	OCT	2	2
74755F	2 X 1 1/2	2.69	2.75	OCT	2	1 1/2



## SUBMITTAL INFORMATION

- Manufactured in compliance with ANSI/AWWA C800 (latest revision)
- Brass components in contact with potable water conform to ASTM B584, UNS C89833 (latest revision) and identified with "NL"
- Certified to NSF/ANSI 61 and NSF/ANSI 372
- Brass components not in contact with potable water conform to ASTM B62 and ASTM B584, UNS C83600 -85-5-5-5 (latest revision)
- Large wrench flats provided for proper installation



**A.Y. McDonald Mfg. Co.**  
P.O. Box 508  
Dubuque, IA 52004-508

**Toll Free:** 1-800-292-2737

**Fax:** 1-800-832-9296

**Hours:** 7:00 a.m. – 5:00 p.m., CST

[sales@aymcdonald.com](mailto:sales@aymcdonald.com)

[www.aymcdonald.com](http://www.aymcdonald.com)

A.Y. McDonald considers the information on this assembly drawing correct when published. Item and option availability, including specifications, are subject to change without notice.

**Submitted by:**

09-14