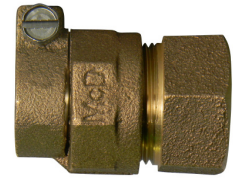


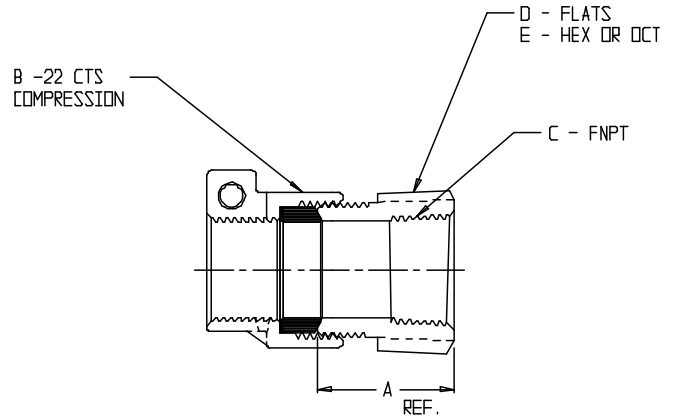
SUBMITTAL DATA SHEET

NL Service Fitting – 74754-22

-22 CTS Compression x FNPT



| MODEL | SIZE | A | B | C | D | E |
|----------|---------------|------|-------|-------|------|-----|
| 74754-22 | 1/2 | 1.25 | 1/2 | 1/2 | 1.06 | HEX |
| 74754-22 | 1/2 X 3/4 | 1.56 | 1/2 | 3/4 | 1.38 | HEX |
| 74754-22 | 3/4 | 1.27 | 3/4 | 3/4 | 1.31 | HEX |
| 74754-22 | 3/4 X 1/2 | 1.61 | 3/4 | 1/2 | 1.38 | HEX |
| 74754-22 | 3/4 X 1 | 1.64 | 3/4 | 1 | 1.52 | OCT |
| 74754-22 | 3/4 X 1 1/4 | 2.67 | 3/4 | 1 1/4 | 1.85 | OCT |
| 74754-22 | 3/4 X 1 1/2 | 2.67 | 3/4 | 1 1/2 | 1.85 | OCT |
| 74754-22 | 1 | 1.40 | 1 | 1 | 1.54 | OCT |
| 74754-22 | 1 X 3/4 | 1.40 | 1 | 3/4 | 1.37 | OCT |
| 74754-22 | 1 X 1 1/4 | 1.75 | 1 | 1 1/4 | 1.88 | OCT |
| 74754-22 | 1 X 1 1/2 | 2.66 | 1 | 1 1/2 | 1.85 | OCT |
| 74754-22 | 1 1/4 | 2.17 | 1 1/4 | 1 1/4 | 2.00 | OCT |
| 74754-22 | 1 1/4 X 3/4 | 2.08 | 1 1/4 | 3/4 | 1.69 | HEX |
| 74754-22 | 1 1/4 X 1 | 1.75 | 1 1/4 | 1 | 1.69 | HEX |
| 74754-22 | 1 1/2 | 2.00 | 1 1/2 | 1 1/2 | 2.31 | OCT |
| 74754-22 | 1 1/2 X 1 | 2.64 | 1 1/2 | 1 | 1.85 | OCT |
| 74754-22 | 1 1/2 X 1 1/4 | 2.31 | 1 1/2 | 1 1/4 | 2.00 | OCT |
| 74754-22 | 2 X 1 1/2 | 2.15 | 2 | 1 1/2 | 2.31 | OCT |
| 74754-22 | 2 | 2.04 | 2 | 2 | 2.81 | OCT |
| 74754-22 | 2 1/2 | 3.66 | 2 1/2 | 2 1/2 | 3.29 | HEX |



SUBMITTAL INFORMATION

- Manufactured in compliance with ANSI/AWWA C800 (latest revision)
- Brass components in contact with potable water conform to ASTM B584, UNS C89833 (latest revision) and identified with “NL”
- Certified to NSF/ANSI 61 and NSF/ANSI 372
- Brass components not in contact with potable water conform to ASTM B62 and ASTM B584, UNS C83600 -85-5-5-5 (latest revision)
- Large wrench flats provided for proper installation
- Insert stiffeners required on all flexible plastic connections



A.Y. McDonald Mfg. Co.
P.O. Box 508
Dubuque, IA 52004-508

Toll Free: 1-800-292-2737
Fax: 1-800-832-9296
Hours: 7:00 a.m. – 5:00 p.m., CST

sales@aymcdonald.com
www.aymcdonald.com

A.Y. McDonald considers the information on this assembly drawing correct when published. Item and option availability, including specifications, are subject to change without notice.

Submitted by: