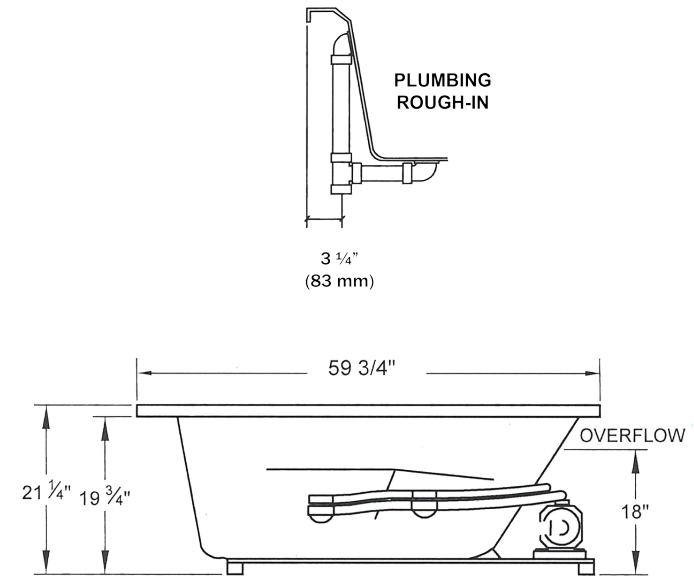
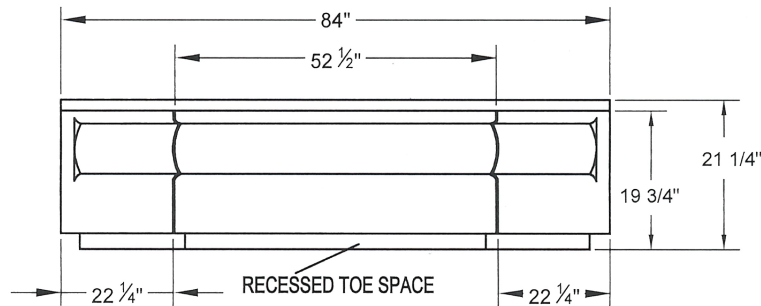
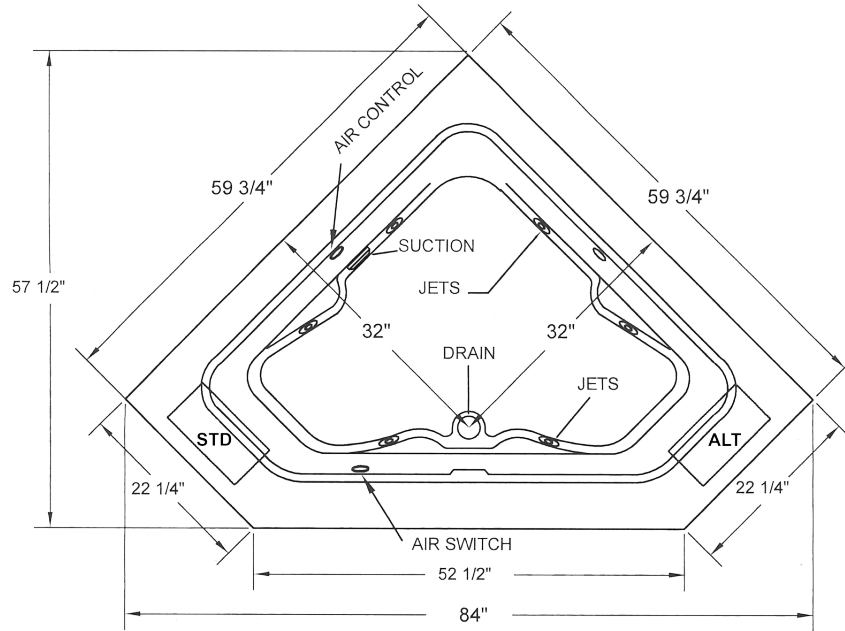


PRO-FIT® WHIRLPOOL

6060 59 3/4" x 59 3/4" x 21 1/4"

Model number: 6039/6539

MANSFIELD™



NOTES:

1. Pump locations shown for clarity. Specify when ordering STD - Standard or ALT - Alternate.
2. Required pump motor access is 20" W x 15" H.
3. Measurements may vary 1/4" (+/-)
4. If a factory installed nailing flange is added to a unit, add 1/8" to each side flanged.
5. Removable apron is optional for this unit.
6. These dimensions are nominal and subject to change without notice.

SPECIFICATIONS:

Dimensions:	59 3/4" x 59 3/4" x 21 1/4"	Number of jets:	6
Material:	Acrylic, fiberglass reinforced	Weight:	155 lbs.
Pump Motor:	120 V, 60 HZ, 6.0 Amp, Single Speed, Premounted	Water Capacity:	85 gals max., 60 gals min.
Electrical Requirements:	120 V, 15 Amp, GFCI Protected	Floor Loading:	47 lbs./sq.ft. (229 kg/m ²)
On/Off Control:	Air Switch	Shipping Weight:	175 lbs. / 140 lbs.