

151-155 Quantum® 1.28

Elongated Front, Pressure-Assist, Floor-Mount, Rear Outlet, SmartHeight™, Vitreous China, Two-Piece Toilet



Features

- Floor mount, rear outlet
- ADA compliant (with lever only)
- 1.28 gpf / 4.86 lpf water consumption
- Elongated front
- SmartHeight™ (16-1/2" high bowl) chair height
- High performance, pressure-assist Flushmate™ flushing technology
- Trip levers
 - Model 45 left hand, chrome-plated metal
 - Model 49 right hand, chrome-plated metal
- 1-7/8" glazed trapway
- The Mansfield® limited lifetime warranty
- Available in White and Standard Colors: Biscuit, Bone







Elongated Front



Model 151-155
Toilet seat not
included

Components

Model #	Description	Codes/Standards
151-155	Elongated front, floor mount, rear outlet, two-piece pressure-assist toilet. Less toilet seat and supply. Specify color.	   
151	Elongated front, floor mount, rear outlet, toilet bowl only. Less toilet seat. Specify color.	
155	Pressure-assist tank and cover only with left hand chrome-plated, metal trip lever. Less supply. Specify color.	
155RH	Same as model 155, except with right hand trip lever.	



MADE IN USA

151-155 Quantum® 1.28

Elongated Front, Pressure-Assist, Floor-Mount, Rear Outlet, SmartHeight™, Vitreous China, Two-Piece Toilet

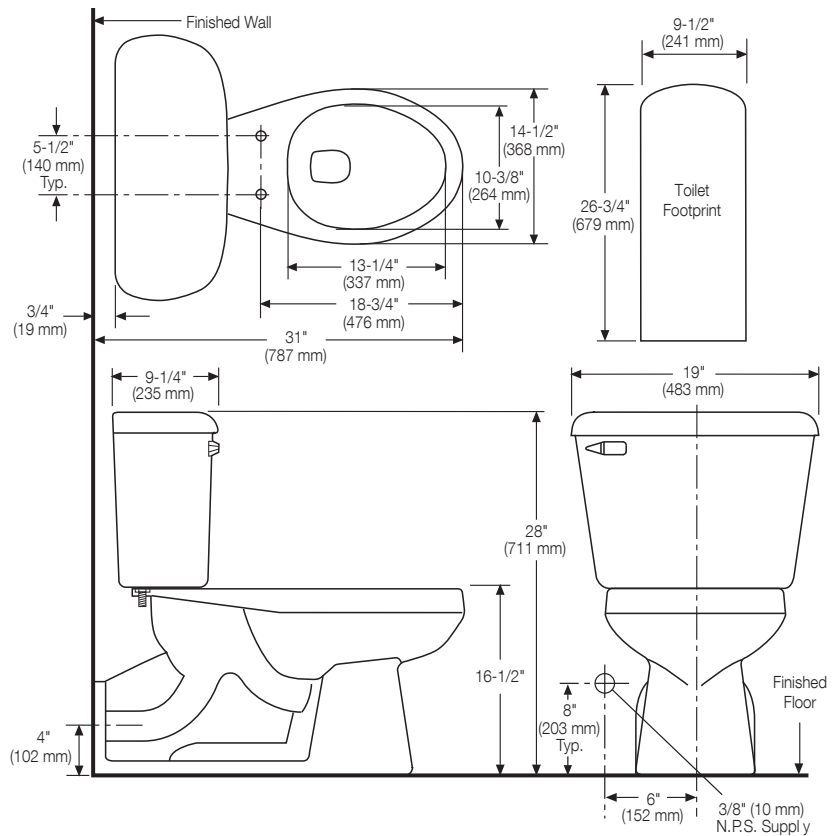


Specifications

Model #	Description	Codes/Standards
151-155	Elongated front, pressure-assist, floor-mount, rear outlet, two-piece toilet	

Specification	Description	Specification	Description
Material	Vitreous China	Trap Diameter	1-7/8"
Water Pressure Range	35 to 80 PSI	Trap Seal	3"
Flush System	Pressure-assist Flushing Technology	Rough-in	Rear Outlet
Water Usage	1.28 gpf / 4.86 lpf	Shipping Weight	Model 151 - 61 lbs.
Water Surface Area	10-3/4" X 12-1/2"		Model 155/155RH - 47 lbs.
MaP Rating	Pending	Warranty	Vitreous China - Limited Lifetime Tank Trim - Five Year Limited

Technical Information



See our complete line of acrylic and vitreous china bathroom fixtures, plastic tank trim and plumbing products.

These dimensions are nominal and subject to change without notice.

Fixture performance and specifications meet or exceed ASME A112.19.2-2008/CSA B45.1-08 standards, and other state and local codes.



MADE IN USA