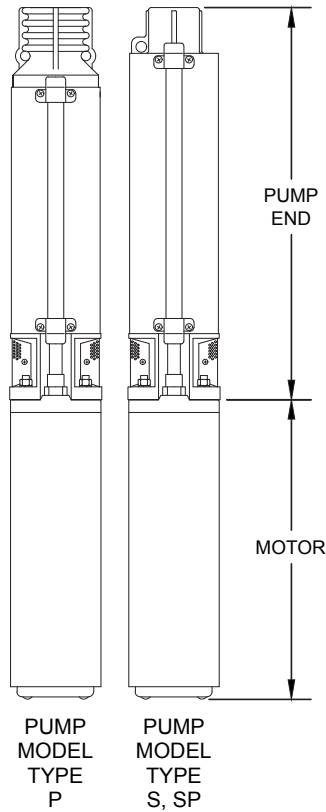




SURVIVOR[®] J-SERIES 5 GPM

PUMP DIAMETER INCLUDING CABLE GUARD
3.81"

PUMP END DISCHARGE
1.25" FNPT



J SERIES - 5 GPM

60 Hz, 3450 rpm

Pump Model	HP	Pump End		Single-Phase Motors - 2-wire				Single-Phase Motors - 3-wire				Three-Phase Motors	
				LP Hydro-Force		FE Super Stainless		LP Hydro-Force		FE Super Stainless		FE Super Stainless	
		Length (inches)	Weight (LBS)	Length (inches)	Weight (LBS)	Length (inches)	Weight (LBS)	Length (inches)	Weight (LBS)	Length (inches)	Weight (LBS)	Length (inches)	Weight (LBS)
PJ5010 SJ5010 SPJ5010	1/2	13.75	4.8 7.7 6.1	10.69	19.6	9.53	18	10.25	19.5	9.53	19	9.53	18
PJ7513 SJ7513 SPJ7513	3/4	15.75	5.9 8.7 7.1	11.69	22.0	10.66	21	10.50	20.2	10.66	21	10.66	21
PJ10017 SJ10017 SPJ10017	1	18.28	7.1 9.9 8.3	12.44	24.1	11.75	24	12.12	23.9	11.75	24	11.75	24
PJ15024 SJ15024 SPJ15024	1-1/2	23.63	10.2 13.0 11.4	15.25	29.7	15.12	31	n/a	n/a	13.62	28	11.75	24

General notes for estimating only.

All Single-Phase motors are 230 Volt (FE Super Stainless 1/2 HP available 115 Volt OR 230 Volt).

Single-Phase 3-wire motors require properly matched control box.

Three-Phase motors available: 200 OR 230 OR 460 Volt.

Three-Phase motors require a magnetic starter with three leg Class 10 overload protection.

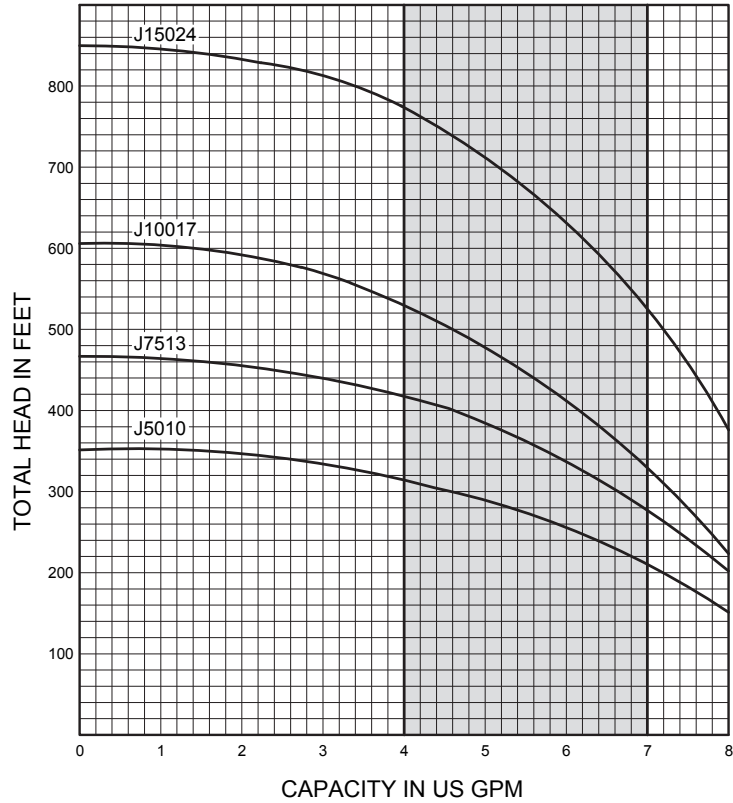


SURVIVOR[®] J-SERIES 5 GPM



J SERIES - 5 GPM
PERFORMANCE CURVES

BEST EFFICIENCY RANGE
4 TO 7 GPM



J SERIES - 5 GPM PERFORMANCE CHART

Ratings are in GPM (Gallons per Minute).
 DO NOT operate pump at flow rates indicated by the symbol — .
 Shaded areas indicate most efficient performance.
 Friction losses in discharge pipe and fittings are not included in these charts.

Pump Model	HP	PSI	Depth to Water in Feet																																		
			20	40	60	80	100	120	140	160	180	200	220	240	260	280	300	320	340	360	380	400	420	460	500	540	580	620	660	700	740	780					
J5010	1/2	0	—	—	—	—	—	8.2	7.9	7.5	7.2	6.8	6.3	5.8	5.3	4.6																					
		20	—	—	—	—	8.1	7.8	7.4	7.1	6.6	6.2	5.7	5.1	4.3	3.5	2.0																				
		30	—	—	—	8.1	7.8	7.3	7.0	6.6	6.1	5.6	5.0	4.3	3.3	2.0																					
		40	—	—	8.0	7.7	7.3	6.9	6.5	6.0	5.5	4.8	4.2	3.3																							
		50	8.3	8.0	7.6	7.3	6.8	6.4	6.0	5.4	4.8	4.0	3.1																								
		60	7.9	7.6	7.2	6.8	6.3	5.8	5.3	4.7	4.0	3.0																									
Shut-off PSI			144	136	127	118	110	101	92	84	75	66	58	49	40	32	23																				
J7513	3/4	0	—	—	—	—	—	—	8.3	8.0	7.8	7.5	7.3	6.9	6.7	6.3	6.0	5.6	5.2	4.6																	
		20	—	—	—	—	—	8.2	7.9	7.7	7.4	7.2	6.8	6.5	6.3	5.8	5.4	5.0	4.4	3.8	3.1																
		30	—	—	—	—	8.2	7.9	7.7	7.3	7.1	6.8	6.5	6.2	5.8	5.3	4.9	4.3	3.7	2.8																	
		40	—	—	—	8.1	7.8	7.6	7.3	7.1	6.8	6.4	6.1	5.8	5.3	4.8	4.3	4.0	3.0																		
		50	—	—	8.1	7.8	7.6	7.3	7.0	6.7	6.4	6.1	5.7	5.3	4.8	4.2	3.4	3.0																			
		60	—	8.3	8.0	7.8	7.5	7.3	7.0	6.7	6.3	6.0	5.6	5.2	4.7	4.1	3.3	1.6																			
Shut-off PSI			192	184	175	166	158	149	140	132	123	114	106	97	88	80	71	62	54	45	36	28															
J10017	1	0	—	—	—	—	—	—	—	8.2	8.0	7.8	7.6	7.4	7.3	7.0	6.8	6.6	6.3	6.1	5.8	5.3	4.7	3.8													
		20	—	—	—	—	—	8.3	8.1	7.9	7.8	7.6	7.3	7.2	6.9	6.8	6.5	6.3	6.0	5.8	5.5	5.2	4.5	4.0	2.3												
		30	—	—	—	—	8.3	8.1	7.9	7.7	7.5	7.3	7.1	6.9	6.7	6.4	6.2	6.0	5.7	5.4	5.2	4.8	4.1	3.1													
		40	—	—	—	8.3	8.1	7.9	7.7	7.5	7.3	7.1	6.9	6.7	6.4	6.2	5.9	5.7	5.4	5.1	4.8	4.4	3.5	1.9													
		50	—	—	8.2	8.0	7.9	7.7	7.5	7.3	7.1	6.8	6.6	6.4	6.1	5.9	5.6	5.3	5.1	4.7	4.3	4.0	2.9														
		60	—	8.2	8.0	7.8	7.7	7.4	7.3	7.0	6.8	6.6	6.3	6.1	5.8	5.6	5.3	5.0	4.7	4.3	3.9	3.3	1.3														
Shut-off PSI			253	245	236	227	219	210	201	193	184	175	167	158	149	141	132	123	115	106	97	89	80	63	45	28											
J15024	1-1/2	0	—	—	—	—	—	—	—	—	—	—	—	—	8.3	8.2	8.1	8.0	7.9	7.8	7.4	7.2	6.8	6.5	6.1	5.7	5.2	4.6	3.8								
		20	—	—	—	—	—	—	—	—	—	—	—	—	8.3	8.2	8.1	7.9	7.8	7.7	7.5	7.4	7.2	6.8	6.4	6.0	5.6	5.1	4.4	3.8	2.6						
		30	—	—	—	—	—	—	—	—	—	—	—	—	8.2	8.1	8.0	7.9	7.8	7.7	7.5	7.4	7.3	7.0	6.6	6.2	5.8	5.3	4.7	4.1	3.2	1.1					
		40	—	—	—	—	—	—	—	—	—	—	—	—	8.3	8.2	8.0	7.9	7.8	7.7	7.5	7.3	7.2	7.1	6.8	6.3	6.0	5.5	5.0	4.3	3.6	1.6					
		50	—	—	—	—	—	—	—	—	—	—	—	—	8.2	8.1	8.0	7.9	7.8	7.6	7.5	7.3	7.2	7.1	6.9	6.5	6.1	5.7	5.2	4.6	4.0	3.1					
		60	—	—	—	—	—	—	—	—	—	8.2	8.1	8.0	7.8	7.7	7.6	7.5	7.3	7.2	7.1	6.9	6.7	6.3	5.9	5.4	4.9	4.3	3.5	1.8							
Shut-off PSI			360	352	343	334	326	317	308	300	291	282	274	265	256	248	239	231	222	213	205	196	187	170	153	135	118	101	83	66	49	31					