

Job Name/Location:

Tag #:

Date:

For: File Resubmit  
Approval Other\_\_\_\_\_

PO No.:

Architect: GC:

Engr: Mech:

Rep:

(Company)

(Project Manager)



## LHN368HV

Multi F Ceiling-Concealed High-Static Duct

36,000 Btu/h Indoor Unit



### Performance:

Nominal Cooling Capacity (Btu/h)	36,000
Nominal Heating Capacity (Btu/h)	40,000

Cooling Nominal Test Conditions:

Indoor: 80°F DB / 67°F WB  
Outdoor: 95°F DB / 75°F WB

Heating Nominal Test Conditions:

Indoor: 70°F DB / 60°F WB  
Outdoor: 47°F DB / 43°F WB

### Electrical:

Power Supply (V/Hz/Ø)	208-230/60/1
Rated Amps (A)	2.3

### Piping:

Installed Liquid Pipe (in., O.D.)	ø3/8
Installed Vapor Pipe (in., O.D.)	ø5/8
Liquid Connection (in., O.D.)	ø3/8
Vapor Connection (in., O.D.)	ø5/8
Drain (in., O.D. / I.D.)	1-1/4, 1
Temperature Sensor	Thermistor

### Controls Features:

- Inverter (Variable Speed Fan)
- Internal Condensate Pump
- ESP Control
- Hot Start
- Auto Restart
- Child Lock
- Group Control
- Sleep Mode
- Timer On / Off
- Controller Sold Separately

### Optional Accessories:

- Simple Remote Controller - PREMT000
- MultiSITE™ CRC1 Controller - PREMTBVC0
- MultiSITE™ CRC1+ Controller - PREMTBVC1
- Premium Remote Controller - PREMTA000
- Wireless Handheld Remote Controller - PQWRHQ0FDB<sup>2</sup>
- AC Smart 5 - PACS5A000
- ACP 5 - PACP5A000
- LonWorks Gateway - PLNWK100
- AC Smart IV BACnet - PBACNA000
- ACP IV BACnet Gateway - PQNFB17C2
- Dry Contact (1 contact, 24 VAC external power) - PDRYCB100
- Dry Contact for Third Party Thermostat - PDRYCB300
- Dry Contact for (2 setpoints) - PDRYCB400
- Remote Temperature Button Sensor - ZRTBS01
- Auxiliary Heat Relay Kit - PRARH1
- Wi-Fi Module - PWFMD200

### Entering Mixed Air:

Cooling (°F WB)	57 ~ 77
Heating (°F DB)	59 ~ 81

### Unit Data:

Refrigerant Type	R410A
Refrigerant Control	EEV
Sound Pressure (H/M/L) dB(A) <sup>3</sup>	44 / 42 / 40
Filter Type	Washable
Net Weight (lbs.)	85.3
Shipping Weight (lbs.)	99.4

### Fan:

Type	Sirocco
Quantity	2
Motor/Drive	Brushless Digitally Controlled/Direct
Air Flow H/M/L (CFM)	1130 / 989 / 848
Default External Static Pressure <sup>4</sup> (in wg)	0.24
Maximum External Static Pressure	0.59

### Notes:

1. Acceptable operating voltage: 187V-253V.
2. Wireless handheld remote controller requires an LG wired thermostat.
3. Sound Pressure levels are tested in an anechoic chamber under ISO Standard 3745.
4. Adjust fan speed to correct for static pressure increases when using field-supplied air filter.
5. See Engineering Manual for sensible and latent capacities.
6. All communication / connection (power) cable from the outdoor unit to the indoor unit is field supplied and must be a minimum of four-conductor, 14 AWG, stranded, shielded or unshielded (if shielded, it must be grounded to the chassis of the outdoor unit only), and must comply with applicable local and national codes.
7. Power wiring cable size must comply with the applicable local and national code.
8. The indoor unit comes with a dry helium charge.
9. Corresponding refrigerant piping length is in accordance with standard length of each outdoor unit and the level difference is 0 ft. All capacities are net with a combination ratio between 95 - 105%.
10. Must follow installation instructions in the applicable LG installation manual.
11. Controller not included.



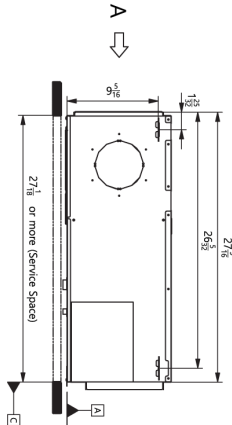
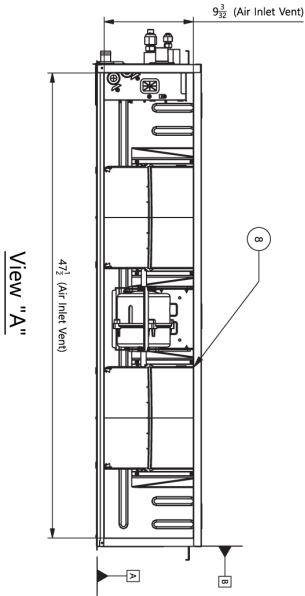
**LHN368HV**  
 Multi F Ceiling-Concealed High-Static Duct  
 36,000 Btu/h Indoor Unit



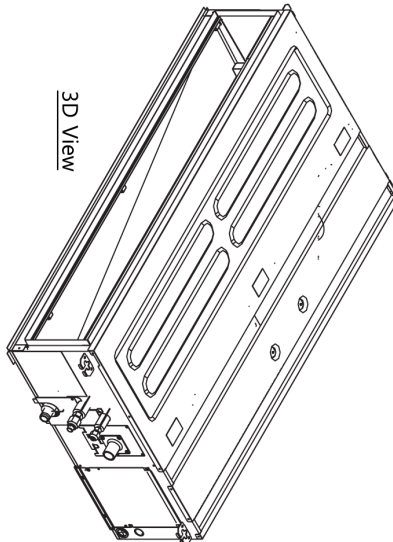
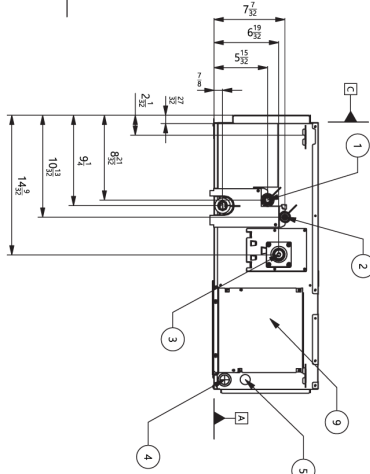
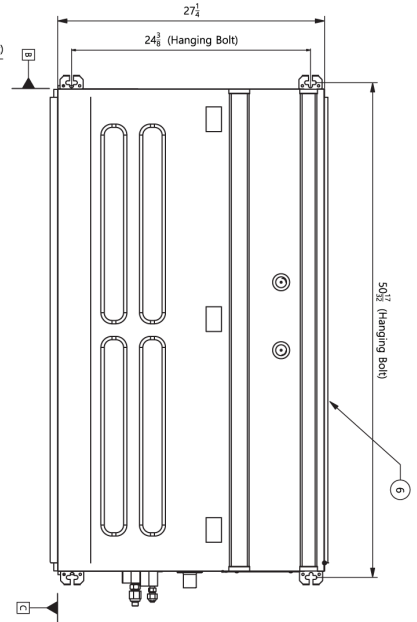
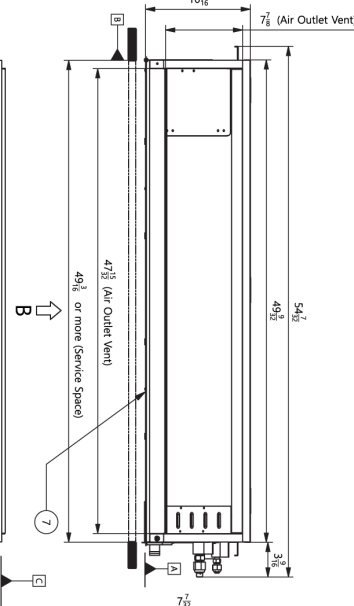
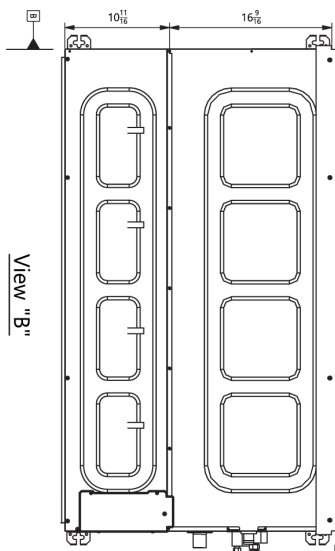
Tag No.: \_\_\_\_\_

Date: \_\_\_\_\_

PO No.: \_\_\_\_\_



[Unit: inch]



No.	Part Name	Description
9	Control Cover	-
8	Air Filters	Supplied with product
7	Air Outlet	-
6	Air Inlet	-
5	Power Cable Hole	-
4	Remote and Communication Cable Hole	-
3	Drain pipe connection	-
2	Liquid pipe connection	-
1	Gas pipe connection	-