

# SUBMITTAL SHEET

JOB NAME \_\_\_\_\_ ITEM TAG \_\_\_\_\_

JOB LOCATION \_\_\_\_\_ PART NUMBER \_\_\_\_\_

CONTRACTOR \_\_\_\_\_ DATE \_\_\_\_\_

ENGINEER APPROVAL \_\_\_\_\_ DATE \_\_\_\_\_

## LEAD-FREE CPVC TRANSITION FITTINGS

### CPVC No-Lead Transition Fittings

Lead-free design is suitable for all no-lead potable water installations, in full compliance of all lead-free plumbing laws.

Permits simple and convenient transition between threaded piping and CPVC tubing.

Ideal for all residential, commercial and industrial hot and cold water systems.

Mold-over, channel-set O-ring seal design between the CPVC resin and brass provides a positive, leak-free seal and is superior to adhesive-type or mechanical crimp designs.

Available in nominal sizes 1/2" to 2" solvent-weld tubing socket by male or female pipe thread.

#### Working Pressure, Non Shock (PSI)

Cold working pressure (CWP): 100 psi, up to 180° F  
Saturated steam (WSP): Not suitable for steam service

- Third-party tested and certified in compliance with U.S. Federal Public Law 111-380 (National lead-free plumbing law).
- CSA certified for Canadian plumbing applications.
- Manufactured in compliance to the Specifications:

ANSI / ASME B1.20.1 (MNPT / FNPT)

ASTM D2846: Standard specification for plastic hot and cold water distribution systems

ASTM D1784 Class 23447: Standard specification for rigid PVC and CPVC compounds.

Truesdail Labs tested and approved to NSF Standard 61-G

UPC / IAPMO Certified to NSF / ANSI Standard 14

- Manufactured in an ISO accredited facility



**Pictured:**  
CPVC x MNPT



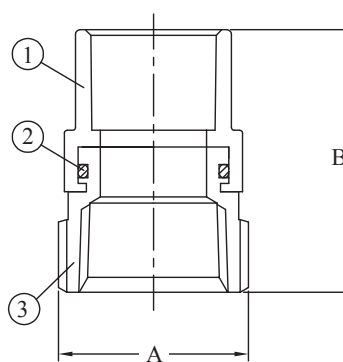
**Pictured:**  
CPVC x FNPT

#### DIMENSIONS

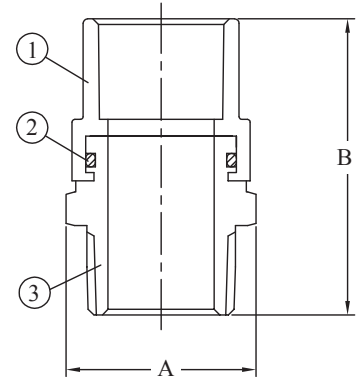
Size	A	B
1/2" MNPT x CPVC	1.10	1.81
3/4" MNPT x CPVC	1.34	2.09
1" MNPT x CPVC	1.54	2.60
1-1/4" MNPT x CPVC	2.09	3.07
1-1/2" MNPT x CPVC	2.36	3.31
2" MNPT x CPVC	2.91	3.90
1/2" FNPT x CPVC	1.10	1.63
3/4" FNPT x CPVC	1.34	1.85
1" FNPT x CPVC	1.67	2.24
1-1/4" FNPT x CPVC	2.09	2.60
1-1/2" FNPT x CPVC	2.36	2.83
2" FNPT x CPVC	2.91	3.35

#### MATERIAL SPECIFICATION

PART	MATERIAL	SPECIFICATION
1 Solvent-weld socket tubing adapter	Virgin CPVC resin	ASTM D1784 Class 23447
2 O-ring	EPDM rubber	Commercial grade
3 Pipe thread adapter	Lead-free forged brass	UNS Alloy C46400



**Pictured:**  
FNPT x CPVC Adapter  
Cut-away view



**Pictured:**  
MNPT x CPVC Adapter  
Cut-away view