

SUBMITTAL SHEET

JOB NAME _____ ITEM TAG _____

JOB LOCATION _____ PART NUMBER _____

CONTRACTOR _____ DATE _____

ENGINEER APPROVAL _____ DATE _____

LEAD-FREE QUARTER-TURN DUAL-HANDLE DUAL-OUTLET SUPPLY STOP

T-598NL

Lead-free design is suitable for all no-lead potable water installations, in full compliance of the National lead-free plumbing law.

Dual-handle, dual-ball design permits independent shutoff of either outlet, versus simultaneous shutoff of both, thereby allowing repair to one fixture without having to shut off the other.

Perfect for the addition of ice maker, dish washer, hot water and R.O. water dispensers or water filtration supply lines.

Quarter-turn, self-cleaning ball design resists mineral and scale build-up, assuring positive shutoff and re-opening.

An ideal upgrade replacement for worn, leaking multi-turn stops that won't close completely.

Available in two configurations, angle and straight, including 3/8" OD and 1/4" OD icemaker compression outlets and 5/8" OD compression inlet connections.

Working Pressure, Non Shock (PSI)

Cold working pressure (CWP): 125 CWP
Saturated steam (WSP): Not suitable for steam service
Maximum Service Temperature: 180° F

MATERIAL SPECIFICATION			
PART	MATERIAL	SPECIFICATION	
1	Handle screw	Plated carbon steel	AISI 1010
2	Handle	Plated zinc	ASTM B86
3	Stem	Lead-free forged brass	ASTM B124 UNS Alloy C46400
4	Stem O-ring (2 per stem)	NBR (Buna-N) rubber	Commercial grade
5	Compression ferrule	Cartridge brass	ASTM B135 UNS Alloy C26000
6	Compression nut	Forged brass	ASTM B16 UNS Alloy C36000
7	Body	Lead-free forged brass	ASTM B124 UNS Alloy C46400
8	Seat	EPDM elastomer	Commercial grade
9	Ball	Lead-free chrome plated forged brass	ASTM B124 UNS Alloy C46400
10	End adapter	Lead-free forged brass	ASTM B124 UNS Alloy C46400

DIMENSIONS				
O.D. compression size:	A	B	C	D
Angle:				
5/8" x 3/8" x 1/4"	1.10	3.23	1.06	1.26
5/8" x 3/8" x 3/8"	1.22	3.23	1.06	1.26
Straight:				
5/8" x 3/8" x 1/4"	2.36	3.23	N/A	N/A
5/8" x 3/8" x 3/8"	2.48	3.23	N/A	N/A

Certifications/Listings:

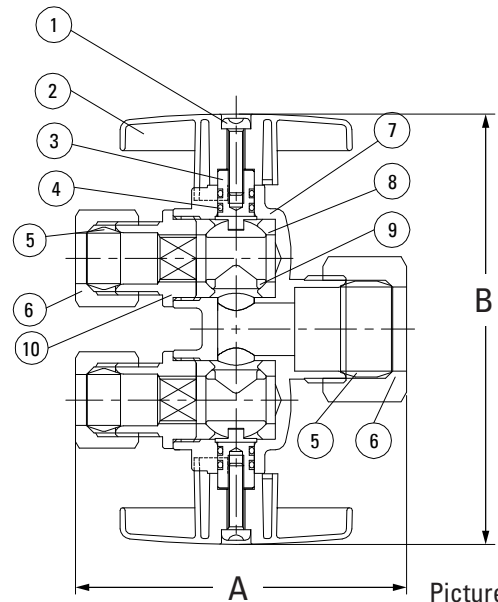
- Third-party tested and certified to the following standards:
- Federal Public Law 111-380 (National lead-free plumbing law).
 - NSF/ANSI 61
 - NSF/ANSI 372



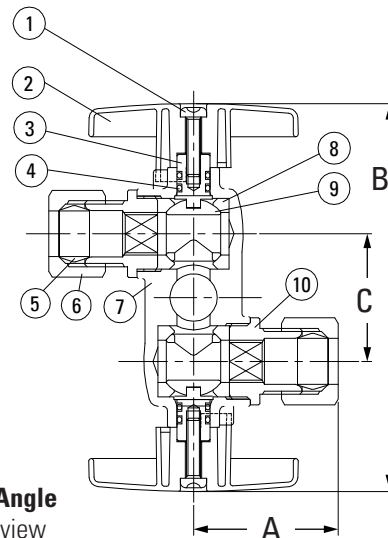
Pictured:
T-598NL Straight



Pictured:
T-598NL Angle



Pictured:
T-598NL Straight
Cut-away view



Pictured:
T-598NL Angle
Cut-away view

