

SUBMITTAL SHEET

JOB NAME	ITEM TAG
JOB LOCATION	PART NUMBER
CONTRACTOR	DATE
ENGINEER APPROVAL	DATE

QUARTER-TURN BALL-TYPE SILLCOCK

Model T/S-541FLG

Smooth, quarter-turn lever operation is superior to the traditional multi-turn handwheel designs.

Full-pattern body, extended lever operator and no-kink hose outlet angle, bring the operator's hand away from the outlet's sharp threads without compromising the ease of hose attachment.

Bubble-tight, self-cleaning ball closure is more durable than a stop-type closure; The water-conserving ball design can be throttled.

Equipped with a stem packing and packing nut design, which is superior to packless-bonnet stem seal designs.

Oversized sill flange with attachment holes versus notches, assures a stable connection to the sill and makes it the perfect replacement valve for covering over-drilled, enlarged sill holes.

Ideal for frequent-use residential, commercial or industrial water applications.

Available in nominal sizes 1/2" and 3/4"

**All 3/4" GHT (garden hose) outlets accept 3/4" hose-thread-mounted vacuum breakers, including our models T-553, T-553C, T-554, T-555, T-556, T-557 and T-557C

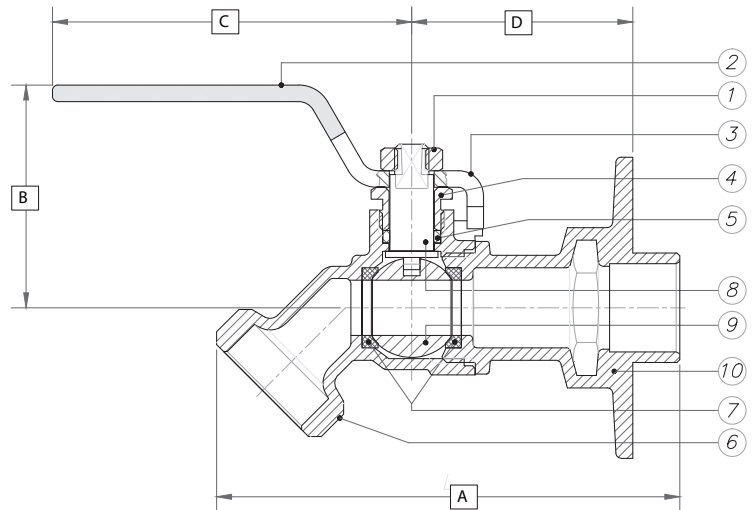
****NOTE:** These models are not included with the T/S-541FLG and do not appear on this submittal sheet. Please check your local backflow prevention code requirements and contact Legend for additional submittal information.

Working Pressure, Non Shock (PSI)

Cold working pressure (CWP): 125

Saturated steam (WSP): Not suitable for steam applications

- End connections comply with ANSI / ASME B1.20.1 (FNPT), ANSI / ASME B1.20.7 (MGHT) and ASME B16.18 (CTS)
- Manufactured in an ISO accredited facility



Pictured Model S-541FLG Cut-away

MATERIAL SPECIFICATION

PART	MATERIAL	SPECIFICATION
1 Handle nut	Forged brass	ASTM B124 UNS C37700
2 Handle insulator sleeve	Vinyl	Commercial grade
3 Lever handle	Carbon steel	SAE 1010R (hot-rolled process)
4 Packing nut	Forged brass	ASTM B16 C36000
5 Stem packing	PTFE	*Polyflon™ PTFE M-392
6 Body	Cast brass	ASTM B584 C85710
7 Seats (2)	PTFE	*Polyflon™ PTFE M-392
8 Stem	Forged brass	ASTM B16 C36000
9 Ball	Forged brass	ASTM B16 C36000
10 End adapter	Cast brass	ASTM B584 C85710

*Polyflon is a registered trademark of Daikin Industries

DIMENSIONS

Size	A	B	C	D
1/2" Swt. x 3/4" MGHT	3.31	1.58	2.77	1.58
3/4" Swt. x 3/4" MGHT	3.54	1.58	2.77	1.58
1/2" FNPT x 3/4" MGHT	2.97	1.58	2.77	1.58
3/4" FNPT x 3/4" MGHT	2.97	1.58	2.77	1.58