

SUBMITTAL SHEET

JOB NAME	ITEM TAG
JOB LOCATION	PART NUMBER
CONTRACTOR	DATE
ENGINEER APPROVAL	DATE

BALL VALVE

Model T-800-T

400 W.O.G.

125 W.S.P.

Working Pressure, Non Shock (PSI)

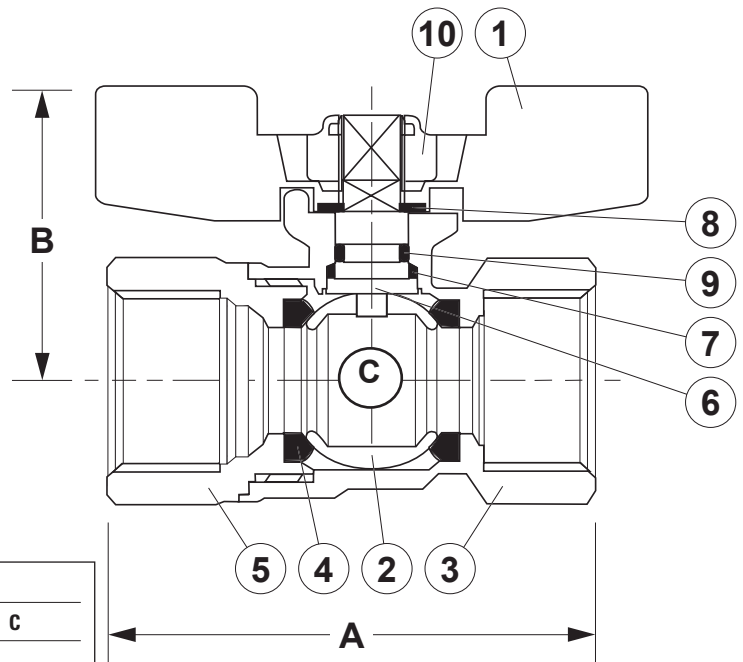
Cold working pressure (CWP): 400 CWP

Saturated steam (WSP): 125 WSP



Pictured Model T-800-T

Pictured Model T-800-T Cut-away



MATERIAL SPECIFICATION		
PART	MATERIAL	SPECIFICATION
1 T-handle	Aluminum	
2 Ball	Brass	ASTM B124-C37700/ B16-C3600
3 Body	Brass	B124-C37700
4 Seats	PTFE	DUPONT TEFLON
5 End adapter	Brass	B124-C37700
6 Stem	Brass	B124,c37700,en12164
7 Thrust washer	PTFE	DUPONT TEFLON
8 Anti friction washer	PTFE	DUPONT TEFLON
9 O-ring	FPM	Viton
10 Handle nut	Anti-vibration nut	ASI-1010

DIMENSIONS			
Size	A	B	C
1/8"	1.54	.98	.31
1/4"	1.61	.99	.31
3/8"	1.59	1.03	.31
1/2"	1.94	1.35	.39
3/4"	2.04	1.47	.59
1"	2.62	1.70	.79