

KOHLER®

Verdera®
lighted mirror, 40" W x 33" H
K-99573-TLC

Features

- Internal LED light guides provide optimally bright bathroom vanity lighting for grooming tasks.
- Brightness at 2200 lumens ensures consistent lighting with no hot spots or dark spots. Produces 65 lumens per watt.
- Approx. 3000 Kelvin light appearance delivers a neutral light ideal for overall bathroom aesthetics as well as tasks.
- Minimum 90 CRI (color rendering index) lets you see yourself in the truest light for makeup application, grooming and skin care.
- Integrated LED bulbs have an estimated life expectancy of 59,000 hours.
- Compatible with wall-mount LED dimmers (not included), which allows you to control lighting from multiple locations in the space.
- Pivoting side panels allow you to direct light for specific tasks.

Material

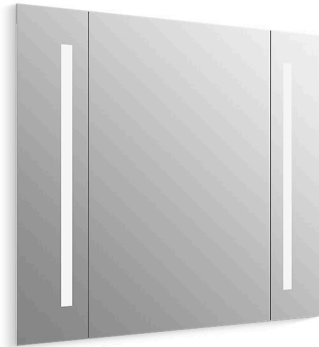
- Anodized aluminum construction with a durable rust- and chip-resistant finish.

Installation

- Includes mounting hardware for surface installation.
- Hang-and-secure mounting system for easier surface-mount installation.
- Recommend professional electrician installation.

Recommended Products/Accessories

K-23723 Faucet cleaner



Codes/Standards

UL 962
C22.2 No. 0
CA Title 24 JA8

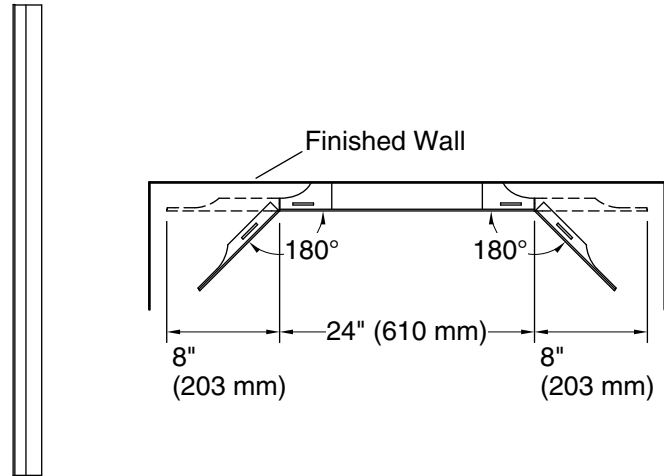
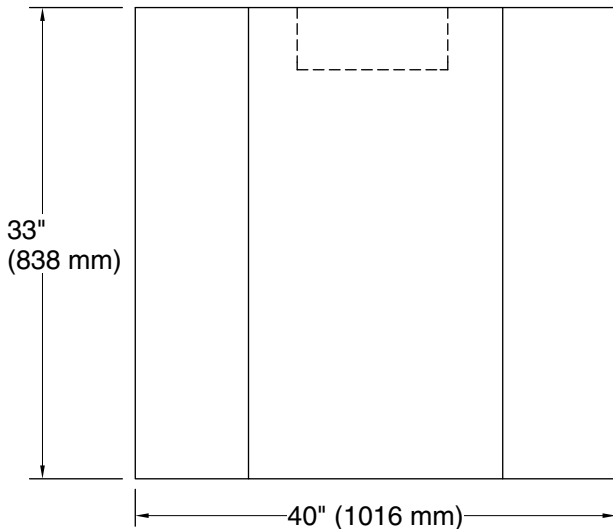
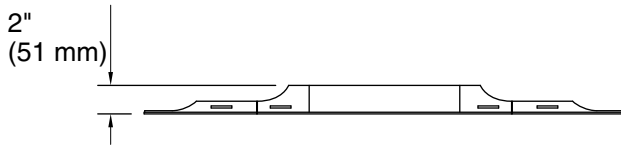
KOHLER® One-Year Limited Warranty

See website for detailed warranty information.

1-800-4KOHLER (1-800-456-4537)

Kohler Co. reserves the right to make revisions without notice to product specifications.
For the most current Specification Sheet, go to www.kohler.com.

THE BOLD LOOK
OF **KOHLER®**



Required Electrical Service

One circuit required, protected with Class A Ground-Fault Circuit-Interrupter (GFCI). Outside North America, this device may be known as a Residual Current Device (RCD).

Lights: 120 V, 15 A, 60 Hz

Technical Information

All product dimensions are nominal.

Mirror type: Wall-mount pivot

Electrical component Lights: 120 V, 0.8 A, 60 Hz rating:

Notes

Install this product according to the installation instructions.

Select the type of fastener based on the wall material. A minimum 20 lb (9.07 kg) load bearing fastener is recommended.

Install the fastener to a stud to avoid possible property and product damage.

A dimmer switch is required. This product is compatible with most residential dimmer switches intended for incandescent and dimmable LED bulbs.