

### Features

- Quarter-turn washerless ceramic disc valves.
- Vandal-resistant aerator.
- Lever handle with red and blue indexing.
- For 8" (203 mm) centers.
- Gooseneck swing/rigid spout with 9 5/16" (237 mm) reach.
- Less drain.
- 1.5 gpm (5.7 lpm) maximum flow rate at 60 psi (4.14 bar).
- Matching finish sidespray with integral diverter.

### Material

- Brass construction.
- Brass valve bodies.

### Installation

- Four-Hole installation.

### Recommended Products/Accessories

K-23723 Faucet cleaner



ADA CSA B651

### Codes/Standards

ASME A112.18.1/CSA B125.1

NSF/ANSI 61

NSF/ANSI 372

All applicable US Federal and State material regulations

DOE - Energy Policy Act 1992

California Energy Commission (CEC)

ADA

ICC/ANSI A117.1

CSA B651


### KOHLER® One-Year Limited Warranty

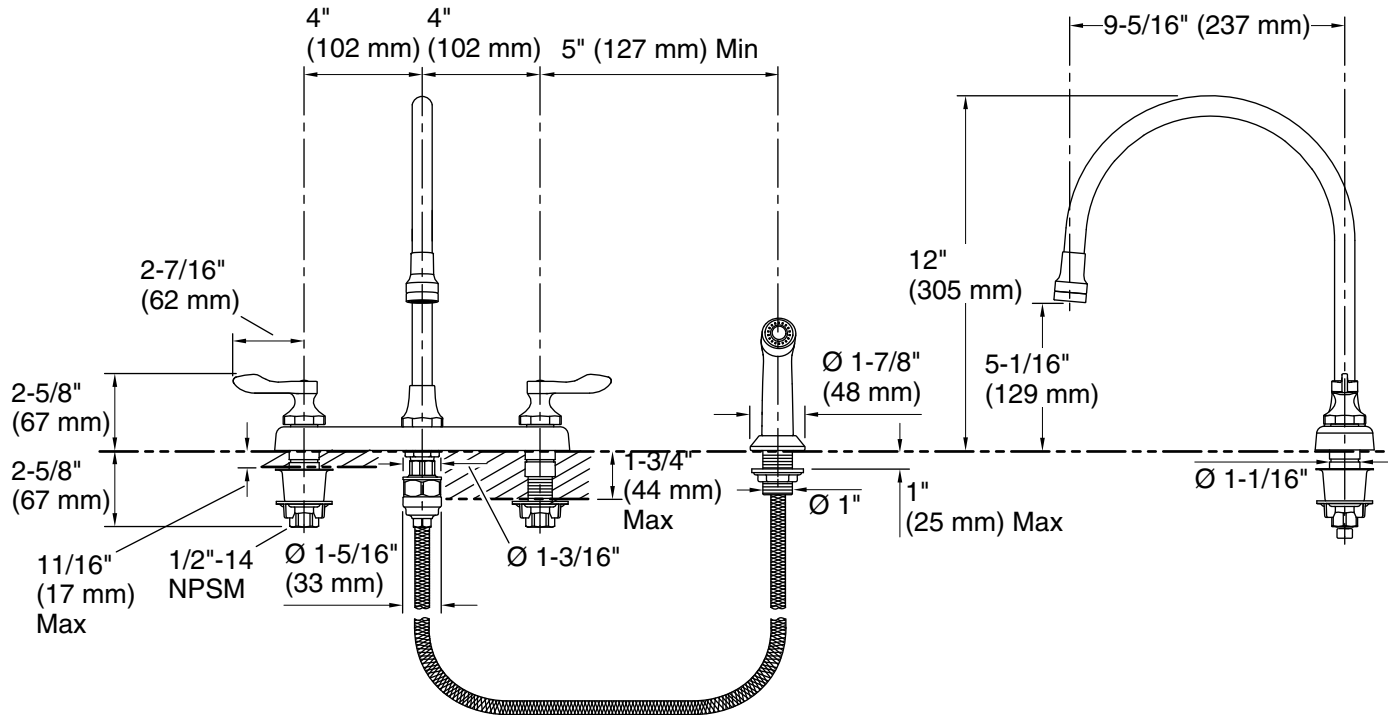
See website for detailed warranty information.

### Available Colors/Finishes

*Color tiles intended for reference only.*

Color	Code	Description
-------	------	-------------

	CP	Polished Chrome
---	----	-----------------



### Technical Information

All product dimensions are nominal.

#### Faucet:

Flow rate: 1.5 gal/min (5.7 l/min)

Pressure: 60 psi (4.1 bar)

#### Sidespray:

Flow rate: 1.2 gal/min (4.5 l/min)

Pressure: 60 psi (4.1 bar)

#### Spout:

Spout reach: 9-5/16" (237 mm)

### Notes

Install this product according to the installation guide.

Drill the hole for the sidespray a minimum of 5" (127 mm) from the center of the lever handle.

ADA complaint for faucet handles only.

ADA, CSA B651 compliant when installed to the specific requirements of these regulations.