

Features

- Brass construction and valve bodies.
- Durable polished chrome plate finish.
- Quarter-turn washerless ceramic disc valves.
- Vandal-resistant aerator.
- Vandal proof ADA compliant lever handle with red and blue indexing.
- For 8" (203 mm) centers.
- 8-3/16" (208 mm) swing spout.
- Less drain.
- 1.5 gpm (5.7 lpm) maximum flow rate at 60 psi (4.14 bar).
- Low Lead- Safe Drinking Water Act (SDWA) compliant.

Recommended Products/Accessories

K-23723 Faucet cleaner



ADA CSA B651

Codes/Standards

ASME A112.18.1/CSA B125.1
NSF/ANSI 61
NSF/ANSI 372
DOE - Energy Policy Act 1992
California Energy Commission (CEC)
ADA
ICC/ANSI A117.1
CSA B651

KOHLER® One-Year Limited Warranty

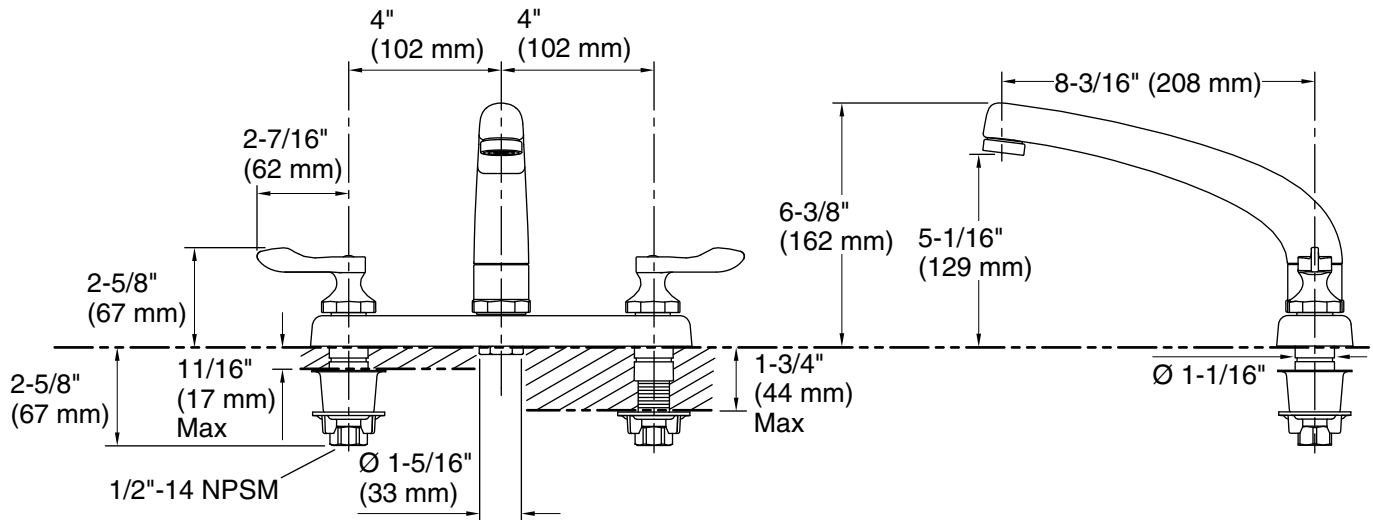
See website for detailed warranty information.

Available Colors/Finishes

Color tiles intended for reference only.

Color Code Description

■ CP Polished Chrome



Technical Information

All product dimensions are nominal.

Faucet:

Flow rate: 1.5 gal/min (5.7 l/min)

Pressure: 60 psi (4.1 bar)

Spout:

Spout reach: 8-3/16" (208 mm)

Notes

Install this product according to the installation guide.

ADA, CSA B651 compliant when installed to the specific requirements of these regulations.