

### Features

- Toe-activated closing.
- Above- or through-floor installation.
- Flexible overflow joint conforms to various bath angles.
- Includes tee, drain ell, and overflow ell with attached 1-1/2" OD pipe.
- Toe-tap actuation means no internal linkages, reducing potential clogging through the overflow.
- Copper corrugated neck makes drain easy to install on any bath slope.
- For use with 14- to 20-inch baths, whirlpools, and BubbleMassage™ air baths.

### Material

- Solid brass construction for durability and reliability.
- KOHLER finishes resist corrosion and tarnishing.
- 17-gauge brass pipe.

### Recommended Products/Accessories

K-23726 Drain treatment  
K-23723 Faucet cleaner



### Codes/Standards






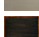
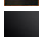




ASME A112.18.2/CSA B125.2

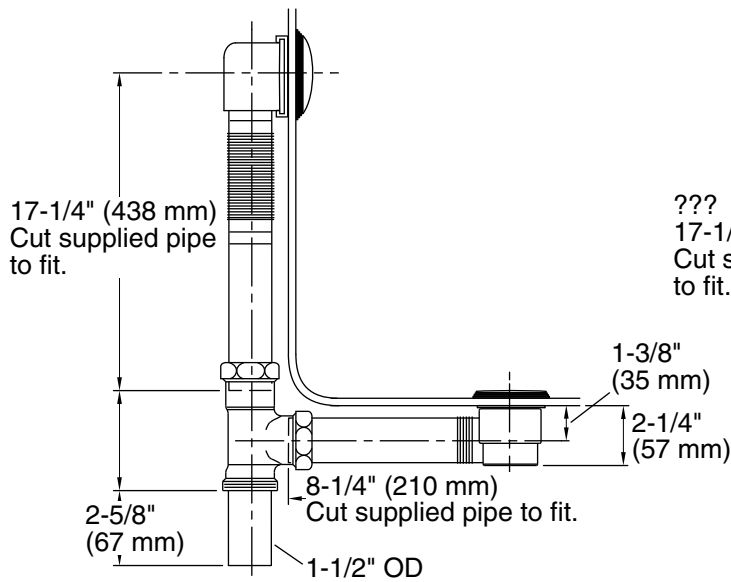
### KOHLER® One-Year Limited Warranty

See website for detailed warranty information.

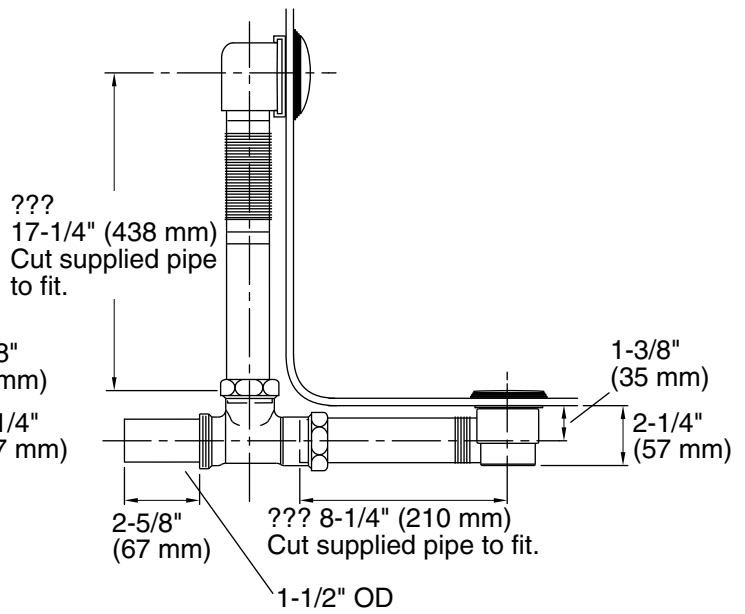
### Available Colors/Finishes

*Color tiles intended for reference only.*

Color	Code	Description
	CP	Polished Chrome
	SN	Vibrant® Polished Nickel
	AF	Vibrant® French Gold
	BGD	Vibrant® Moderne Brushed Gold
	BN	Vibrant® Brushed Nickel
	BV	Vibrant® Brushed Bronze
	2BZ	Oil-Rubbed Bronze
	BL	Matte Black
	2MB	Vibrant® Brushed Moderne Brass
	RGD	Vibrant Rose Gold
	TT	Vibrant Titanium



Through-the-Floor



Above-the-Floor

**Technical Information**

All product dimensions are nominal.

**Notes**

Install this product according to the installation guide.