

Features

- Gently curved inside and outside towel bars complete the look of this door.
- CleanCoat® technology creates a protective barrier that repels water, prevents dirt and minerals from collecting, and makes it easier to remove hard water spots.

Material

- Frameless, 3/8" (10 mm) thick Crystal Clear tempered glass.

Technology

- Continuous door panel guide mechanism for smooth, quiet sliding action.

Installation

- Out-of-plumb adjustability simplifies installation.
- Not for use in hospitality.
- For residential use only.

Recommended Products/Accessories

K-23723 Faucet cleaner

Included Components

Additional Components:
Hardware kit



Codes/Standards

CPSC 16CFR 1201
ANSI Z97.1

KOHLER® One-Year Limited Warranty

See website for detailed warranty information.

Available Colors/Finishes

Color tiles intended for reference only.

| Color | Code | Description |
|-------|------|-------------|
|-------|------|-------------|

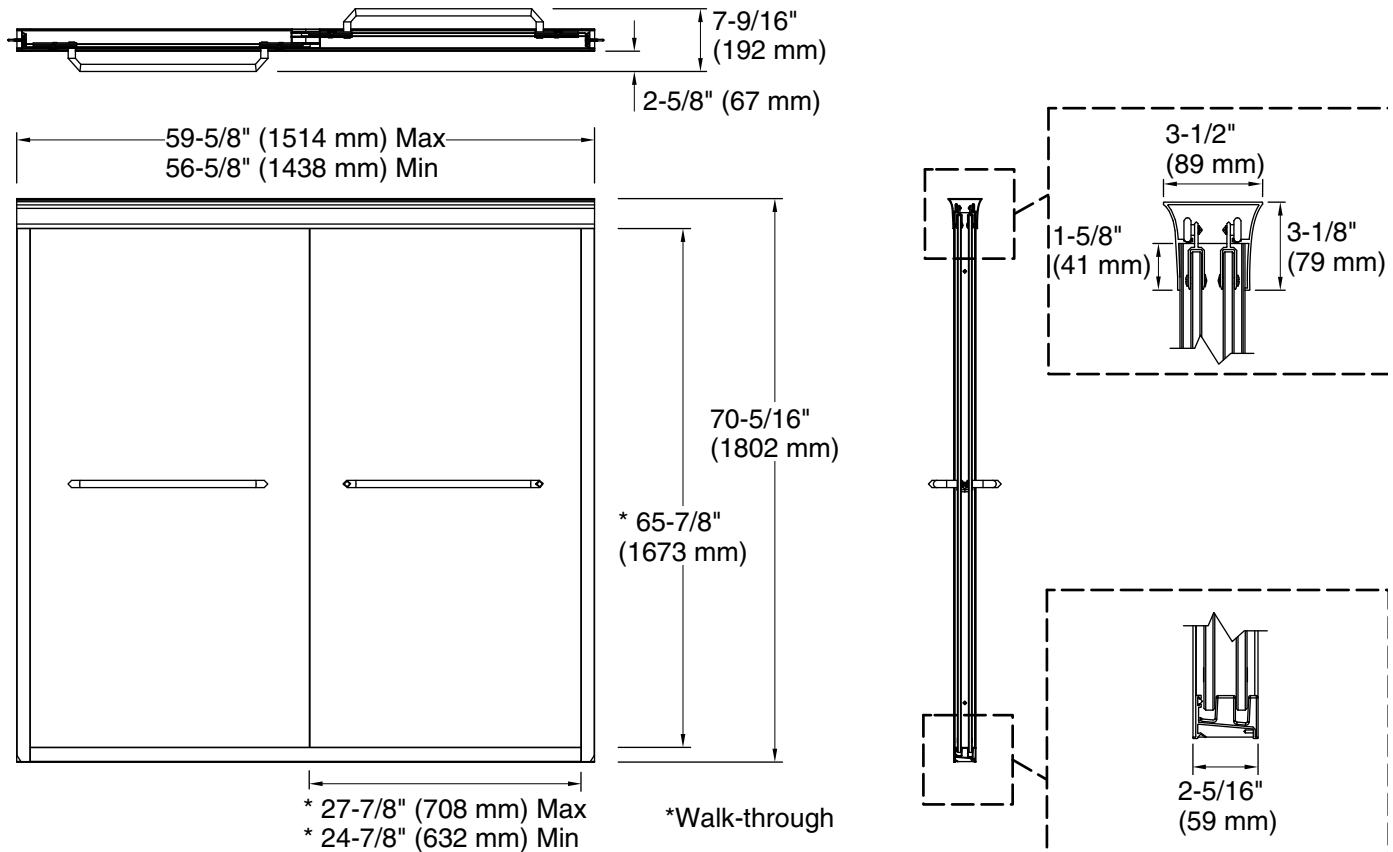


| | |
|----|----------------|
| NX | Brushed Nickel |
|----|----------------|

Available Glass Options

| Code | Description |
|------|-------------|
|------|-------------|

| | |
|---|---------------|
| L | Crystal Clear |
|---|---------------|



Technical Information

All product dimensions are nominal.

| | |
|----------------------------|------------------------------|
| Installation type: | For shower base installation |
| Opening style: | Sliding/Bypass |
| Opening Width - Min: | 56-5/8" (1438 mm) |
| Opening Width - Max: | 59-5/8" (1514 mm) |
| Walk-through - Min: | 24-7/8" (632 mm) |
| Walk-through - Max: | 27-7/8" (708 mm) |
| Base-To-Wall Radius - Max: | 1/2" (13 mm) |
| Glass thickness: | 3/8" (10 mm) |
| Glass coating: | CleanCoat® |

Notes

Install this product according to the installation guide.

The vertical opening should be a minimum of 72-1/16" (1830 mm) to allow for installation clearance.