



Hardwood cutting board for kitchen sinks **K-3294**

Features

- Fits over the K-3206 Ballad kitchen sink, K-6584 and K-6585 Iron/Tones kitchen sinks, K-3346 Toccata kitchen sink, and K-3168, K-3171, K-3174, K-3177, K-3330, K-3331, K-3332, K-3350, K-3351, K-3352, and K-3353 Undertone kitchen sinks.
- Durable hardwood construction.
- Rim channel collects liquids for easy cleanup.
- Provides a workstation for quick and easy prep work.



Codes/Standards

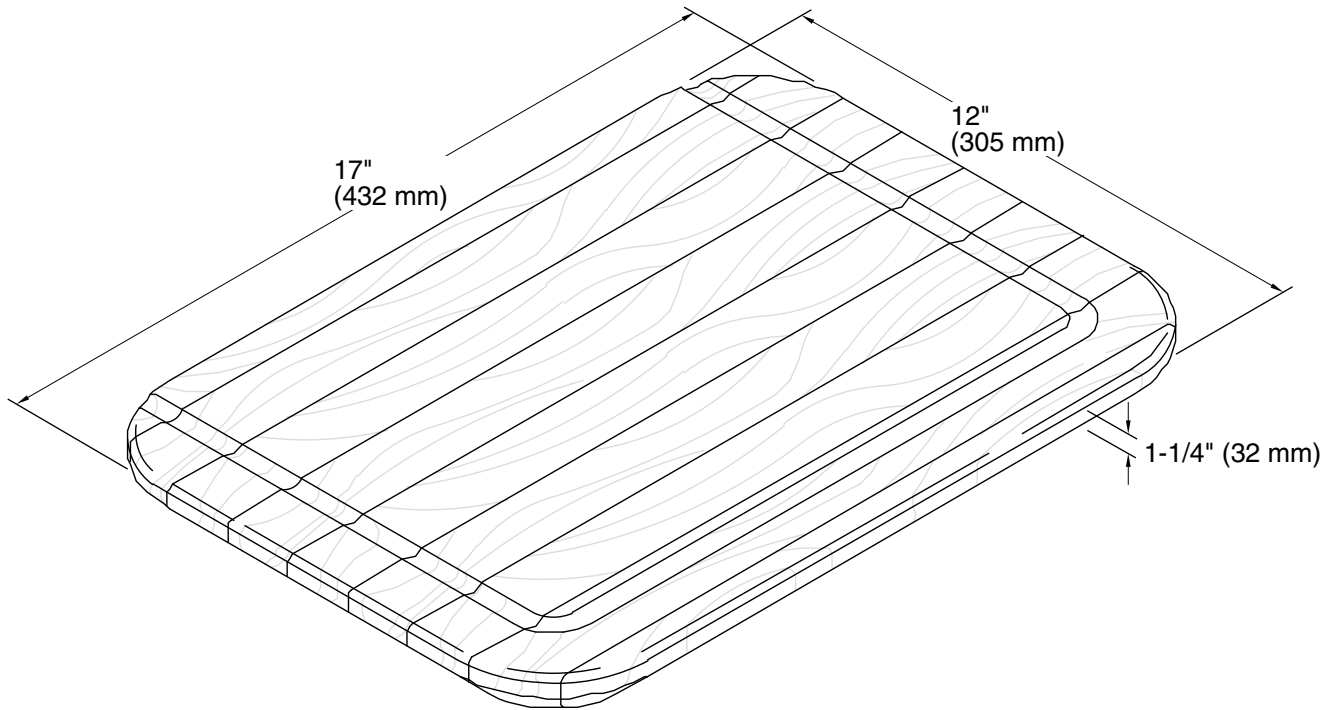
EPA TSCA Title VI

KOHLER® One-Year Limited Warranty

See website for detailed warranty information.



Hardwood cutting board for kitchen sinks
K-3294



Technical Information

All product dimensions are nominal.

Material: Wood