

Features

- The double-domed metal shade features a cage detail at the connection.
- A perfect piece for any space — especially in a hallway, mudroom, bedroom, closet, or bathroom.
- Medium base (E26) socket, works best with type A or G light bulbs (sold separately).
- Suitable for damp locations, per UL 1598.

Material

- Manufactured with quality materials and complemented with a meticulous finishing process.
- Durable finishes engineered to last and designed to coordinate with KOHLER faucet finishes.



Codes/Standards

UL 1598
CSA C22.2 No. 250

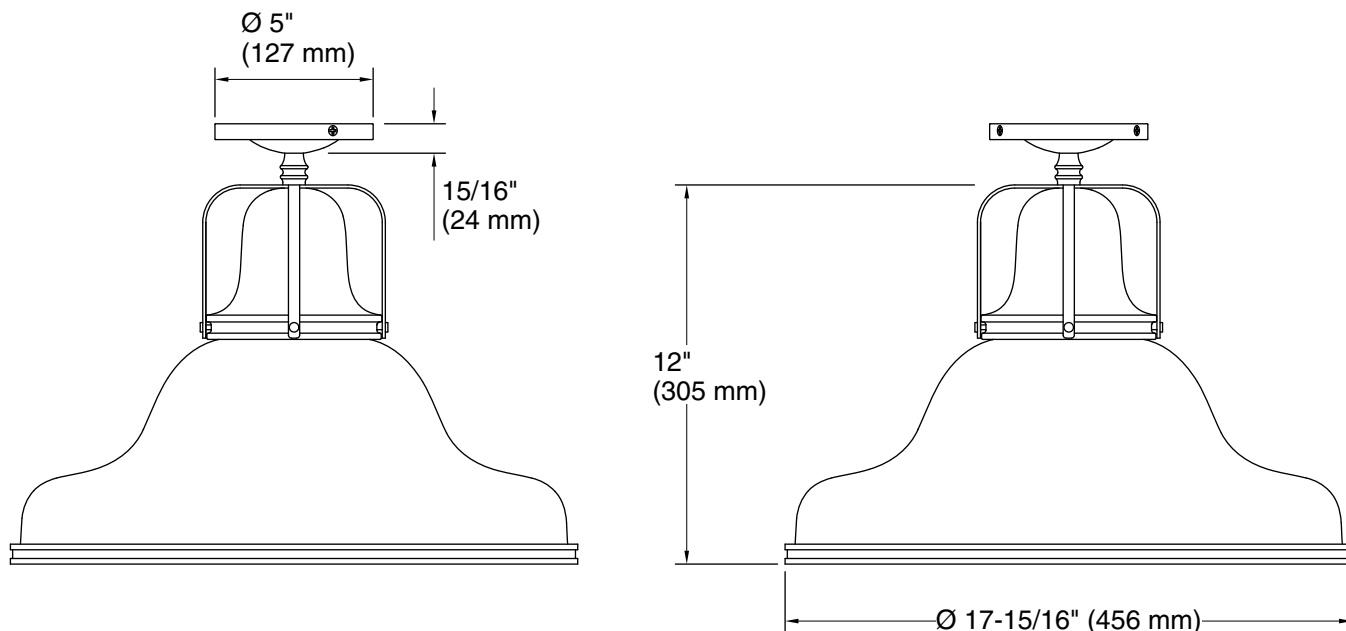
KOHLER® Indoor Lighting Fixtures Limited Warranty

See website for detailed warranty information.

Available Colors/Finishes

Color tiles intended for reference only.

| Color | Code | Description |
|---|------|--------------------|
|  | CPL | Polished Chrome |
|  | BML | Black, Brass Trim |
|  | WCL | White, Chrome Trim |
|  | WGL | White, Gold Trim |



Required Electrical Service

One circuit required.

Lights: 120 V, 12 A, 60 Hz

Technical Information

All product dimensions are nominal.

Material: Steel, Aluminum

Number of Lights: 3

Lighting Type: Socket-based

Socket Type: E-26 Medium

Number of Shades: 1

Shade Type: Metal

Hanging Type: Downrod

Electrical component rating: Socket Rating: 60 Hz, 60 W