



Modflex® Adjust-a-Bowl™

Top spud antimicrobial flushometer bowl w/ bedpan lugs
K-25042-SSL

Features

- Elongated bowl.
- Siphon jet.
- 1.28 or 1.6 gpf (4.8 or 6.0 lpf) depending on flushometer specified.
- 10-1/2" x 7-1/2" (267 x 190 mm) water surface.
- Minimal design detail and partially concealed skirt for ease of cleaning.
- Easy-to-clean low-profile bolt caps.
- Includes bedpan lugs.
- Pair with KOHLER® flushometers and seats for a complete solution.
- Supports static load of 2,500 lbs.
- Antimicrobial finish inhibits the growth of mold-, mildew-, stain-, and odor-causing bacteria on the fixture surface.
- 1-1/2" (38 mm) top spud.

Material

- Vitreous china.

Technology

- Wall-to-floor toilet conversion solution, perfect for healthcare or any other facility interested in addressing load concerns.
- Eliminates need for a gut renovation to remove in-wall carrier and outlet and install new floor outlet.
- Adjustability allows toilet to attach to outlet of the horizontal branch, even if positioned next to the vertical stack.
- Engineered for strong flush performance in buildings with lower water pressure or flow.
- Design eliminates gas leaks, splashing and paper shredding.

Installation

- Floor-mount.
- Included brackets attach to wall carrier and secure bowl to both wall and floor.
- Designed to cover existing footprint of any wall bowl on the market.
- Adjustable connector enables replacement of wall-mount bowls with rim heights from 15" to 18".

Recommended Products/Accessories

- K-4670-CA Lustra™ Commercial Elongated Toilet Seat
- K-23726 Drain treatment
- K-23724 Toilet cleaner & disinfectant
- K-23734 Toilet bowl cleaner & disinfectant

Included Components

- Additional Components:
Brackets



ADA CSA B651 OBC

Codes/Standards




- ASME A112.19.2/CSA B45.1
- DOE - Energy Policy Act 1992
- EPA WaterSense®
- California Energy Commission (CEC)
- ADA
- ICC/ANSI A117.1
- CSA B651
- OBC

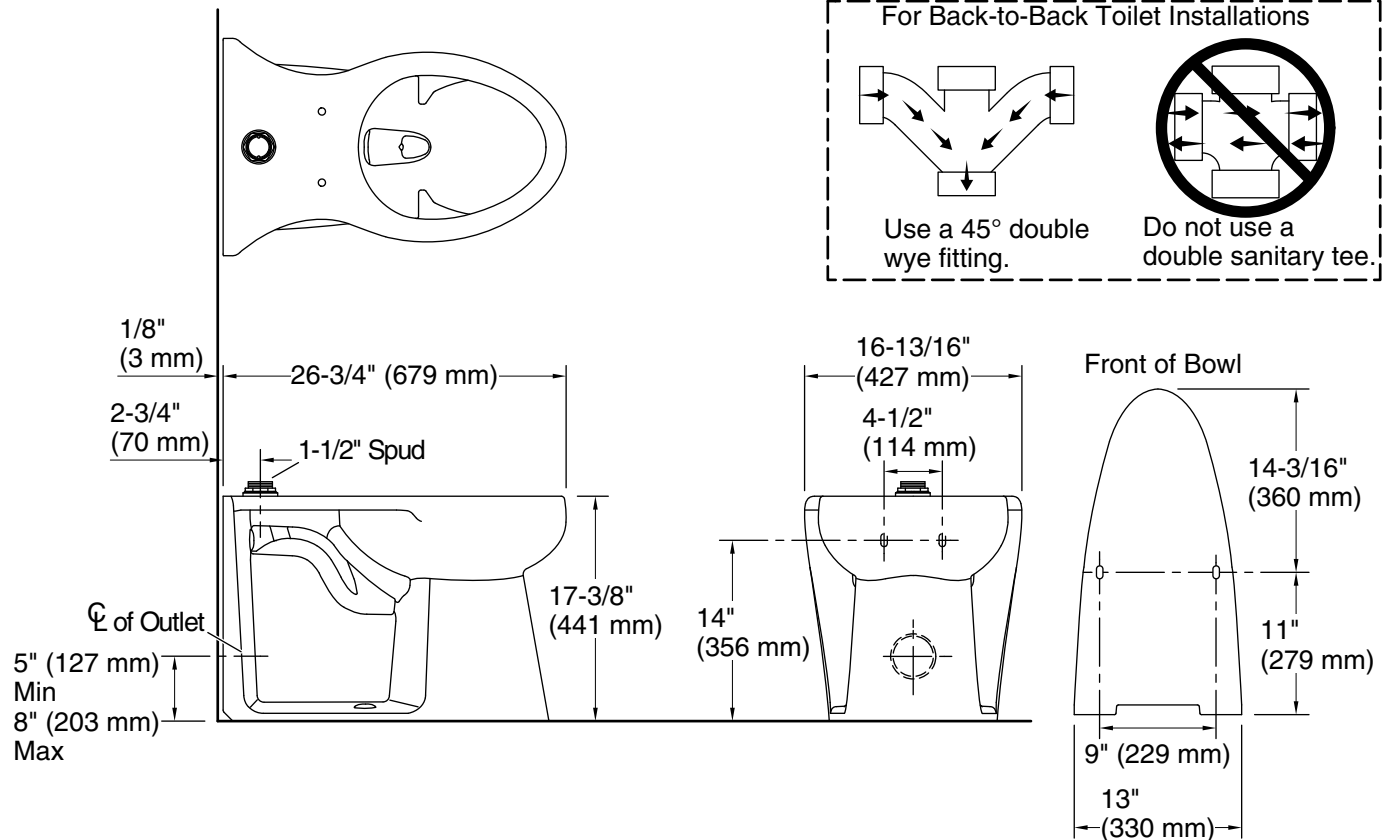
KOHLER® One-Year Limited Warranty

See website for detailed warranty information.

Available Colors/Finishes

Color tiles intended for reference only.

| Color | Code | Description |
|--|------|-------------|
|  | 0 | White |
|  | 96 | Biscuit |
|  | 47 | Almond |



Technical Information

All product dimensions are nominal.

| | |
|-----------------------|------------------------------------|
| Toilet type: | Flushometer, Floor-mount |
| Waste Outlet: | Wall |
| Bowl shape: | Elongated |
| Flush type: | Flushometer valve siphon |
| Spud size: | 1 1/2, Inlet, Top |
| Trap passageway: | 2-1/8" (54 mm) |
| Water Consumption | |
| Full: | 1.6 gpf (6 lpf) |
| Reduced: | 1.28 gpf (4.8 lpf) |
| Water surface size: | 10-1/2" x 7-1/2" (267 mm x 191 mm) |
| Rim to water surface: | 5-3/4" (146 mm) |
| Rough-in: | 5" (127 mm) |
| Seat-mounting holes: | 5-1/2" (140 mm) |

Fixture Supply Requirements

| | |
|-----------------------|--------------------|
| Min static pressure: | 35 psi (241.3 kPa) |
| Max static pressure: | 80 psi (551.6 kPa) |
| Min flowing pressure: | 25 psi (172.4 kPa) |
| Min flow rate: | 25 gpm (94.6 lpm) |

Notes

Install this product according to the installation instructions.

For back-to-back toilet installations: Use only a 45° double wye fitting.

This product is designed for a floor-mount installation with a wall-outlet.

ADA, OBC, CSA B651 compliant when installed to the specific requirements of these regulations.

Plumbing codes may require elongated toilets and elongated, open-front seats in public bathrooms.

Accessibility standards may require controls to be located on the open side of the toilet.