



# Components™

One-light LED sconce  
K-23463-SCLED

## Features

- A perfect complement to our Components suite of products.
- Suitable for any living space, allowing you to create a cohesive design aesthetic throughout your home.
- Dimmable, integrated LED emits beautiful ambient light at the perfect color temperature.
- Can be positioned up or down depending upon room setting.
- Suitable for damp locations, per UL 1598.

## Material

- Manufactured with quality materials and complemented with a meticulous finishing process.
- Durable finishes engineered to last and designed to coordinate with KOHLER faucet finishes.

## Included Components

Additional Components:  
Installation hardware



## Codes/Standards

California Energy Commission (CEC)  
UL 1598  
CSA C22.2 No. 250.0  
CA Title 24 JA8

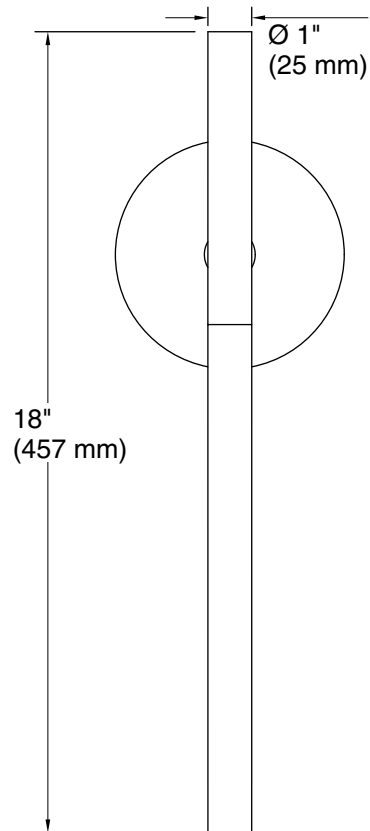
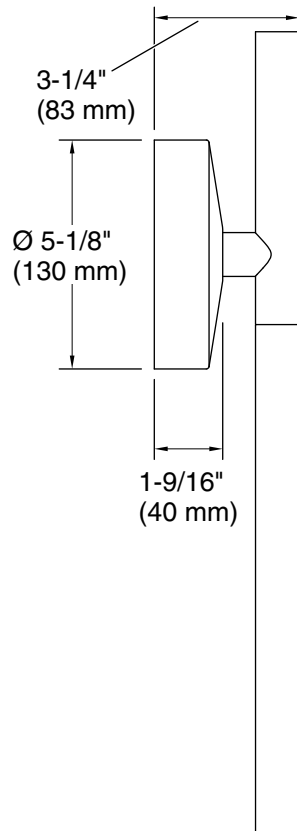
## KOHLER® Indoor Lighting Fixtures Limited Warranty

See website for detailed warranty information.

## Available Colors/Finishes

*Color tiles intended for reference only.*

Color	Code	Description
	SNL	Polished Nickel
	BGL	Moderne Brushed Gold
	CPL	Polished Chrome
	BLL	Matte Black
	2GL	Brushed Moderne Brass



## Required Electrical Service

One circuit required.

Lights: 120 V, 60 Hz

## Technical Information

All product dimensions are nominal.

Material: Steel, Aluminum, Glass

Number of Lights: 1

Lighting Type: Integrated LED

Number of Shades: 2

Shade Type: Glass - frosted

Electrical component rating: LED: 60 Hz, 10 W, 500 Lumens, 3000K