



Iron Plains® Trough Rectangle

Drop-In/Under-Mount Bathroom Sink

K-20212

Features

- Large rectangular basin.
- Overflow drain.

Material

- KOHLER® enameled cast iron.

Installation

- No faucet holes; requires wall- or counter-mount faucet.
- Drop-in or undermount.

Recommended Products/Accessories

- K-23726 Drain treatment
- K-23725 Cast iron cleaner

Included Components

- Additional Components:
- 1193643 Basin clamps



ADA **CSA B651**

Codes/Standards

- ASME A112.19.1/CSA B45.2
- ADA
- ICC/ANSI A117.1
- CSA B651

Lifetime Limited Warranty for KOHLER® Cast Iron Components

See website for detailed warranty information.

Available Colors/Finishes

Color tiles intended for reference only.

Color	Code	Description
	0	White
	FF	Sea Salt™
	96	Biscuit
	NY	Dune
	FT	Basalt
	KA	Black 'n Tan
	7	Black Black™
	GRL	Grey Lavender
	DGB	Indigo Blue
	PLM	Black Plum

1-800-4KOHLER (1-800-456-4537)

Kohler Co. reserves the right to make revisions without notice to product specifications.
For the most current Specification Sheet, go to www.kohler.com.

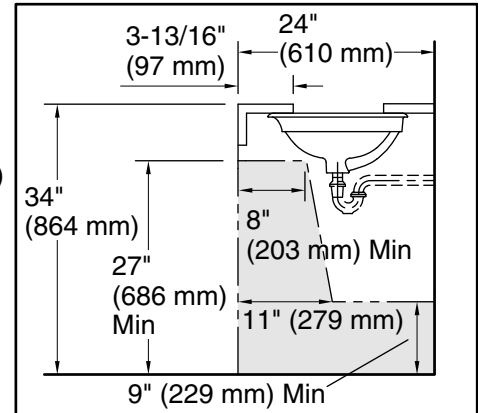
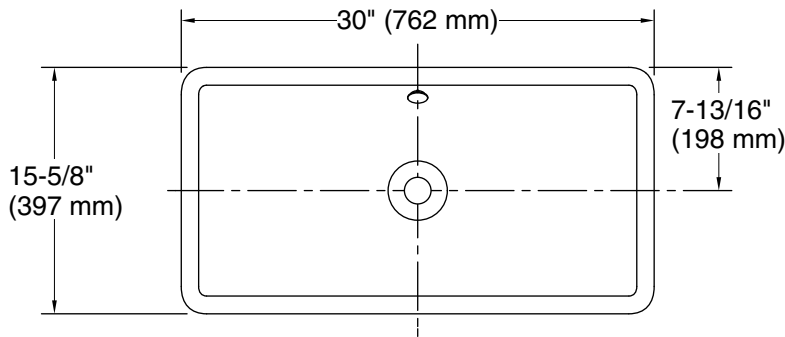
THE BOLD LOOK
OF **KOHLER**®



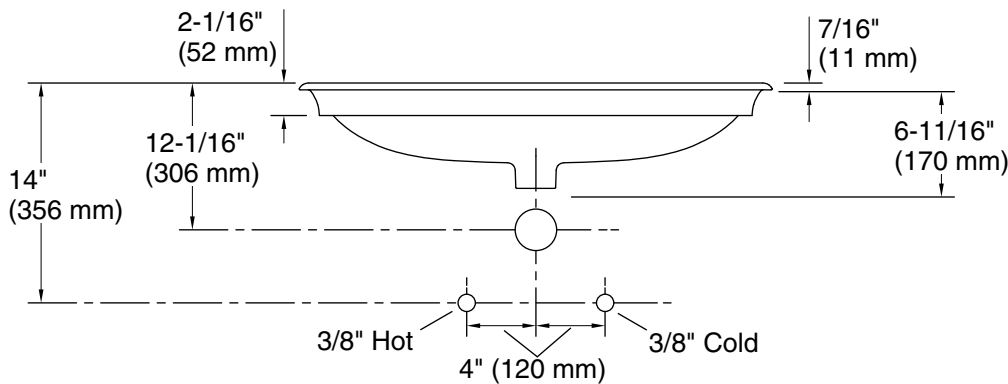
Iron Plains® Trough Rectangle

Drop-In/Under-Mount Bathroom Sink

K-20212



Recommended ADA Installation



Technical Information

All product dimensions are nominal.

Installation:	Drop-in, Under-mount
Bowl area (Only):	Length: 28-13/16" (732 mm) Width: 14-7/16" (367 mm) Bowl depth: 4-3/4" (121 mm) Water depth: 3-5/16" (84 mm)
Drain hole:	1-3/4" (44 mm)
Template:	1319048-7, required, included

Notes

Install this product according to the installation instructions.

Countertop manufacturer or cutter must use the cut-out template provided with the product, or a current one provided by Kohler Co. (call 1-800-43-FOCUS). Kohler Co. is not responsible for cut-out errors when the incorrect cut-out template is used.

ADA, CSA B651 compliant when installed to the specific requirements of these regulations.