



Iron Plains® Round

Vessel bathroom sink
K-20211-B

Features

- Small round basin.
- Overflow drain.

Material

- KOHLER® enameled cast iron.
- Painted underside in Biscuit.

Installation

- No faucet holes; requires wall- or counter-mount faucet.
- Vessel, drop-in, or under-mount.

Recommended Products/Accessories

- K-23726 Drain treatment
- K-23725 Cast iron cleaner



ADA CSA B651 OBC

Codes/Standards

ASME A112.19.1/CSA B45.2
ADA
ICC/ANSI A117.1
CSA B651
OBC

Lifetime Limited Warranty for KOHLER® Cast Iron Components

See website for detailed warranty information.

Available Colors/Finishes

Color tiles intended for reference only.

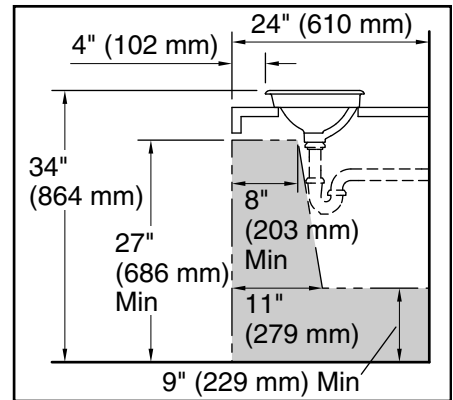
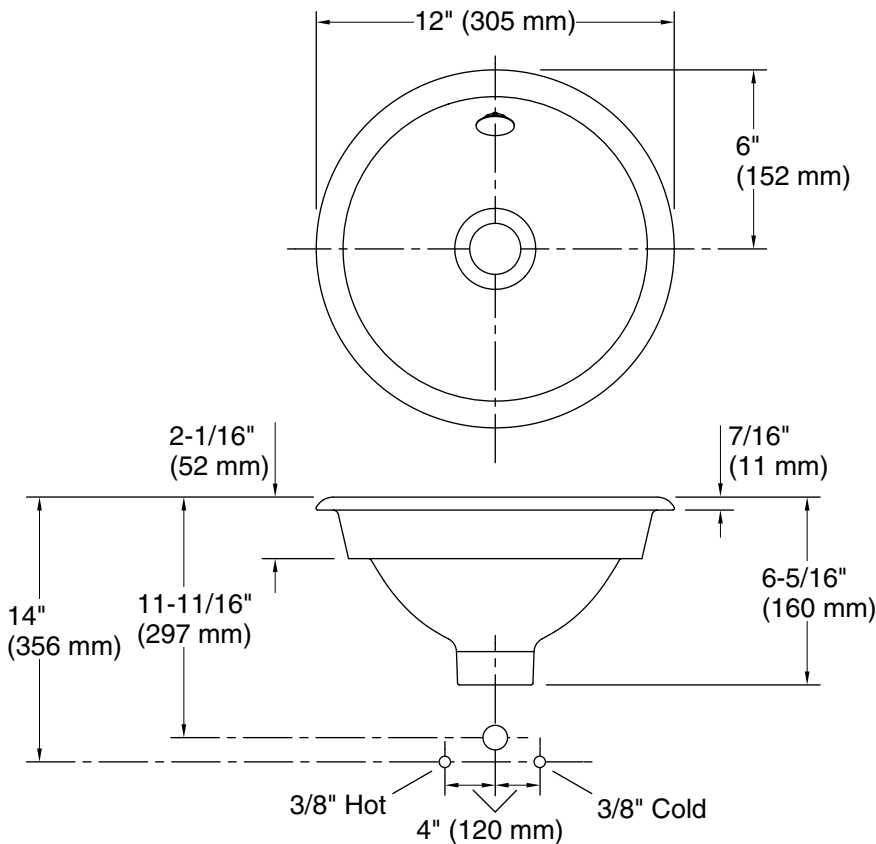
Color Code Description

	96	Biscuit
---	----	---------

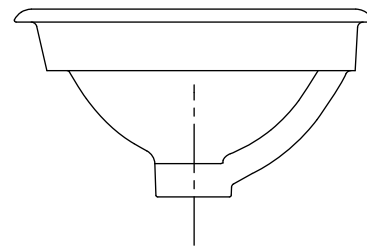


Iron Plains® Round

Vessel bathroom sink
K-20211-B



Recommended ADA Installation



Technical Information

All product dimensions are nominal.

- Installation: Drop-in, Under-mount, Vessel
Drain hole: 1-3/4" (44 mm)
Template: 1319047-7, required, included

Notes

Install this product according to the installation instructions.

NOTICE: Countertop manufacturer or cutter must use the cut-out template provided with the product, or a current one provided by Kohler Co. (call 1-800-4-KOHLER). Kohler Co. is not responsible for cutout errors when the incorrect cut-out template is used.

ADA, OBC, CSA B651 compliant when installed to the specific requirements of these regulations.