

# Installation Instructions

## Wall-Mount Integrated Sink System

Record your model number:  
Noter le numéro de modèle:  
Anoté su número de modelo: \_\_\_\_\_

Français, page 18  
Español, página 34

**KOHLER**<sup>®</sup>

# Thank You for Choosing KOHLER

---

Need help? Contact our Customer Care Center.

- USA/Canada: 1-800-4KOHLER (1-800-456-4537) Mexico: 001-800-456-4537
- Service parts: [kohler.com/serviceparts](http://kohler.com/serviceparts)
- Care and cleaning: [kohler.com/clean](http://kohler.com/clean)
- Patents: [kohlercompany.com/patents](http://kohlercompany.com/patents)

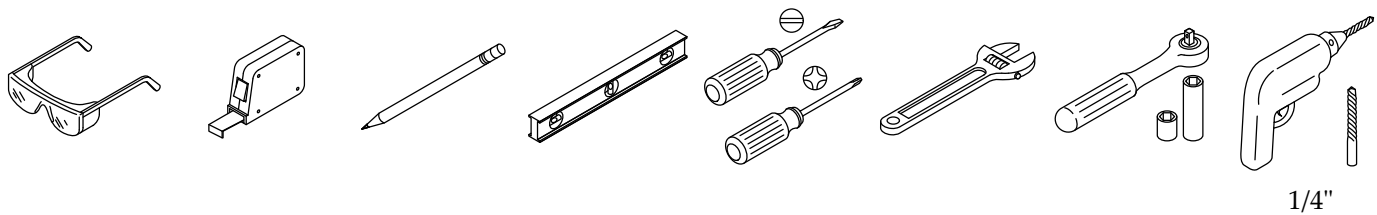
## Warranty

---

This product is covered under the KOHLER® One-Year Limited Warranty, found at [kohler.com/warranty](http://kohler.com/warranty). For a hardcopy of warranty terms, contact the Customer Care Center.

## Tools and Materials

---




Sealant Tape Plumbers Putty Silicone Sealant Drain Cover Removal Tool


### Plus:

- 5/16" lag bolts and washers [500 lb (227 kg)] load-bearing
- 2x6s
- Woodworking tools and materials
- Shims
- Protective material
- 1-1/2" tubes and fittings for drain connections


## Important Information


---


 **WARNING: When using electrical products, basic precautions should always be followed, including the following:**


 **DANGER: Risk of electric shock.** Connect only to a circuit protected by a Ground-Fault Circuit-Interrupter (GFCI)\*.


\*Outside North America, this may be known as a Residual Current Device (RCD).


 **WARNING: Risk of electric shock.** Grounding is required. A qualified electrician should make all electrical connections.

 **WARNING: Risk of electric shock.** Disconnect the power before servicing.

 **WARNING: Risk of injury or property damage.** Read all instructions thoroughly before beginning installation.

 **CAUTION: Risk of product damage.** Do not modify the metal enclosure. Doing so will compromise structural stability.

 **CAUTION: Risk of personal injury or property damage.** Select 500 lb (227 kg) load-bearing 5/16" lag bolts with a length to clear obstacles in the wall and 5/16" washers. Calculate the proper lag bolt length by adding the following: 1-1/2" (38 mm) backing material, plus the wallboard thickness, plus the back rail thickness.

 **CAUTION: Risk of property damage.** To properly support the weight of the vanity and vanity top/sink, secure to stud framing or 2x6 support behind the finished wall.

Follow all local plumbing and building codes.

Product complies with ADA requirements when installed according to the rough-in dimensions.

Provide a constant unswitched 120 VAC electrical outlet located below the sink within 5' (1.5 m) of each AC supply.

Your product may appear different from the one illustrated. The installation procedure is the same.

**For 60" and 90" models:** To ease installation, remove the center panel(s) from the unit before beginning. Refer to the "Center Panel Removal and Installation (If Applicable)" section.

Two people should perform this installation.

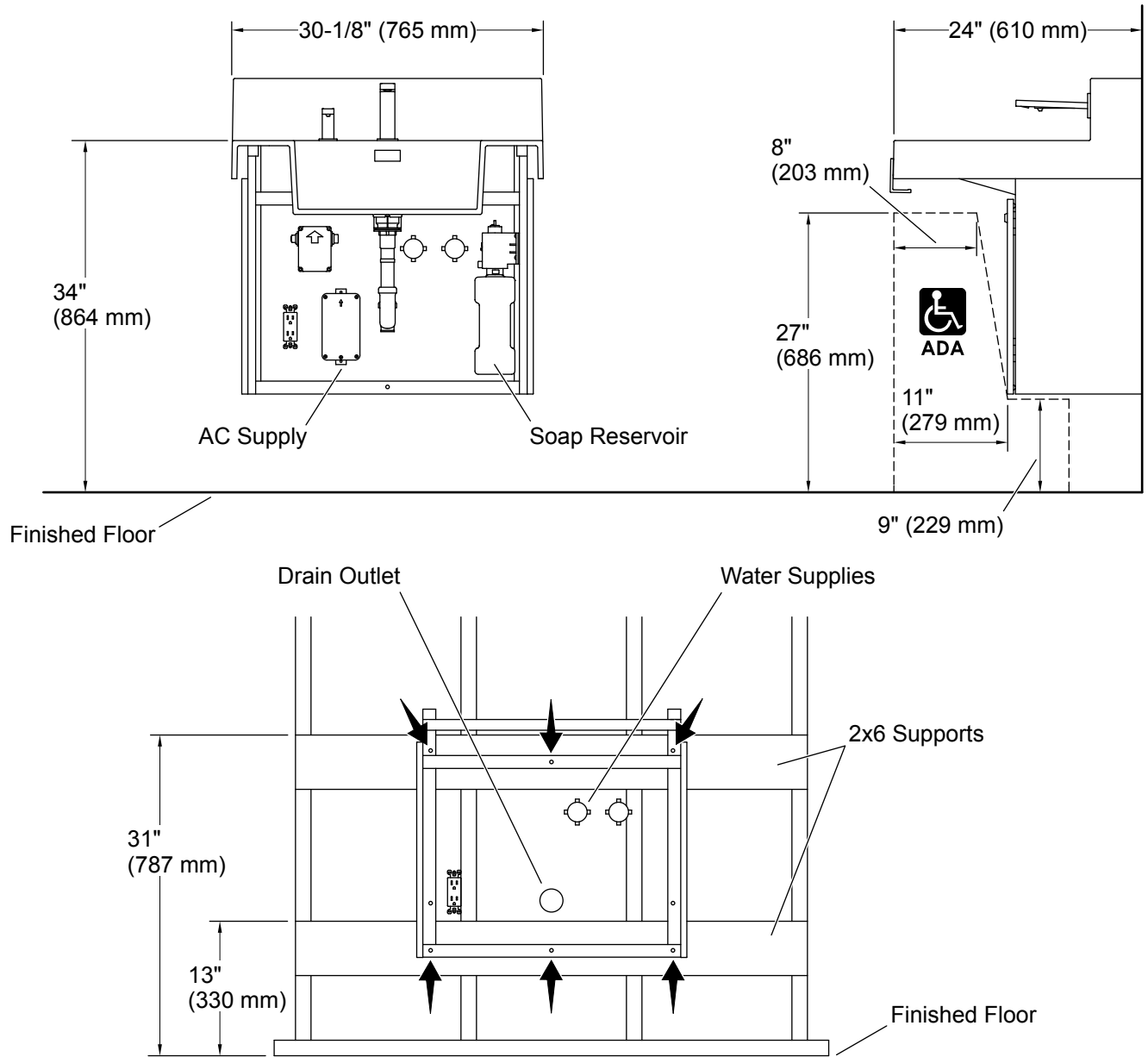
## Installation Overview

---

**IMPORTANT!** To ensure successful installation, follow the order of installation steps outlined below.

- Review the rough-in information for your product.
- Verify that the water supplies and drain outlet will not interfere with enclosure components.
- Install 2x6 supports between wall studs.
- Install a constant unswitched 120 VAC electrical outlet. Two electrical outlets may be needed.
- Complete the finished wall.
- Create a temporary structure to support the enclosure during installation.
- Remove the center panels (if present) from the enclosure.
- Secure the enclosure to the wall.
- Assemble the drain to the sink.
- Secure the overflow to the sink.
- Assemble the faucet and soap dispenser to the sink. Refer to the instructions packed with the products.
- Install the sink deck to the enclosure.
- Install the control boxes for the faucets and soap dispensers. Refer to the instructions packed with the products.
- Complete the faucet connections. Refer to the instructions packed with the products.
- Complete the drain connections.
- Test each faucet and soap dispenser.
- Remove the temporary support structure.
- Apply silicone sealant along the seams where the unit meets the wall.
- Reinstall the center panels (if applicable).
- Install the drain covers.
- Attach the overflow covers.
- Install the convenience hook.
- Adjust the door panels (if needed).

# Rough-In for 30" Sink System

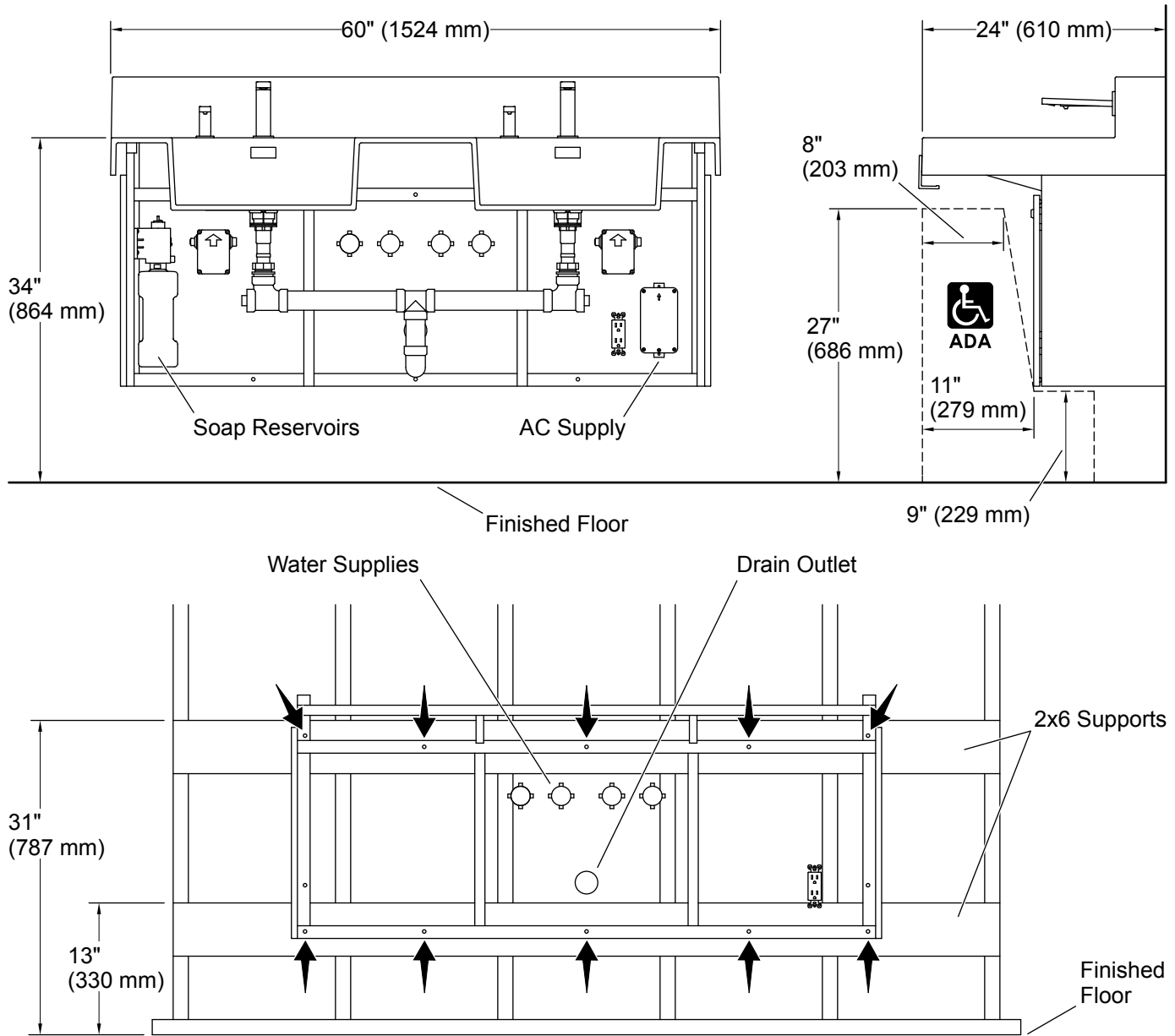


**IMPORTANT!** When determining the installation location, verify that the enclosure will not interfere with the water supplies, drain outlet, and electrical outlet(s).

Before installation, plan the locations of all required components. For more information, refer to the instructions packed with the soap dispenser and faucet.

Use 2x6 supports between wall studs to mount the frame. Refer to the arrows in the illustration to identify the mounting-hole locations on the back rails of the frame.

# Rough-In for 60" Sink System

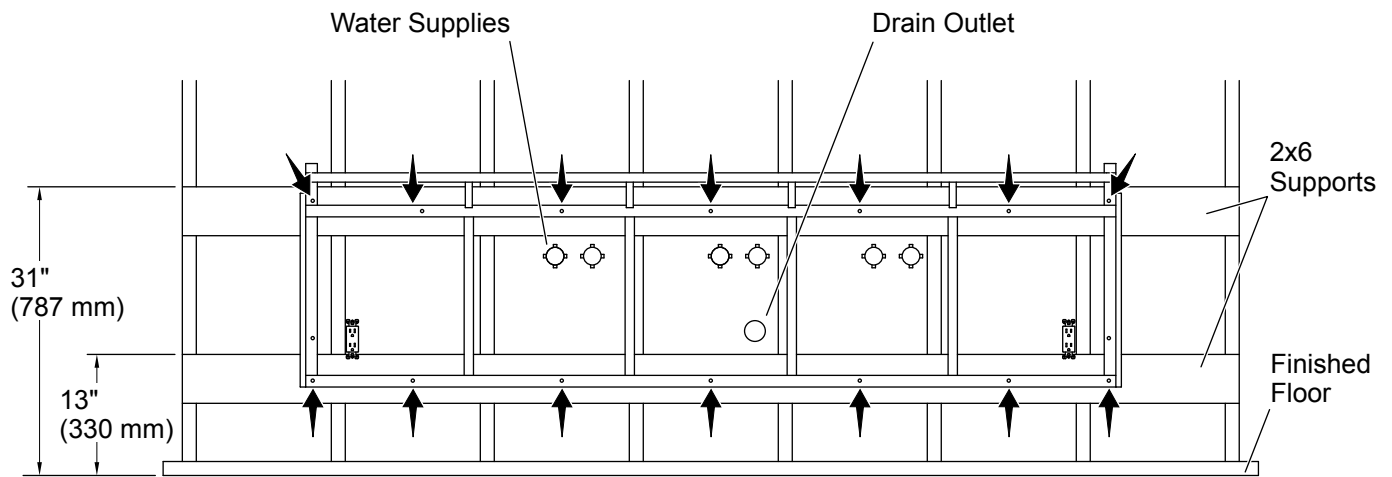
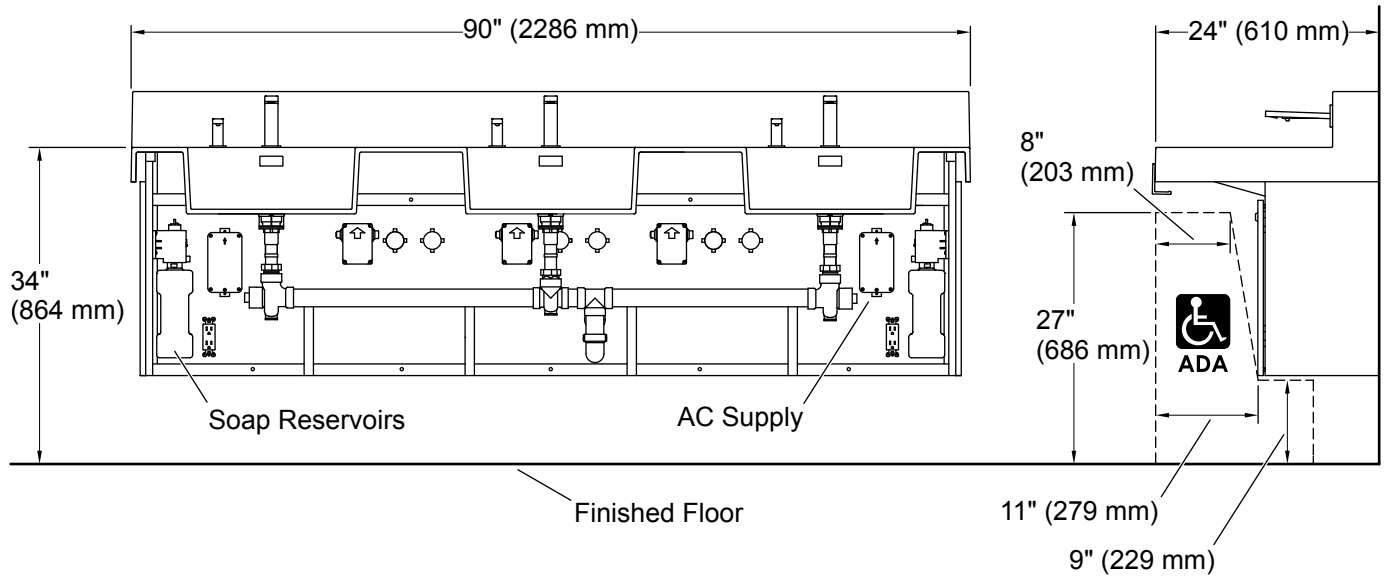


**IMPORTANT!** When determining the installation location, verify that the enclosure will not interfere with the water supplies, drain outlet, and electrical outlet(s).

Before installation, plan the locations of all required components. For more information, refer to the instructions packed with the soap dispenser and faucet.

Use 2x6 supports between wall studs to mount the frame. Refer to the arrows in the illustration to identify the mounting-hole locations on the back rails of the frame.

# Rough-In for 90" Sink System



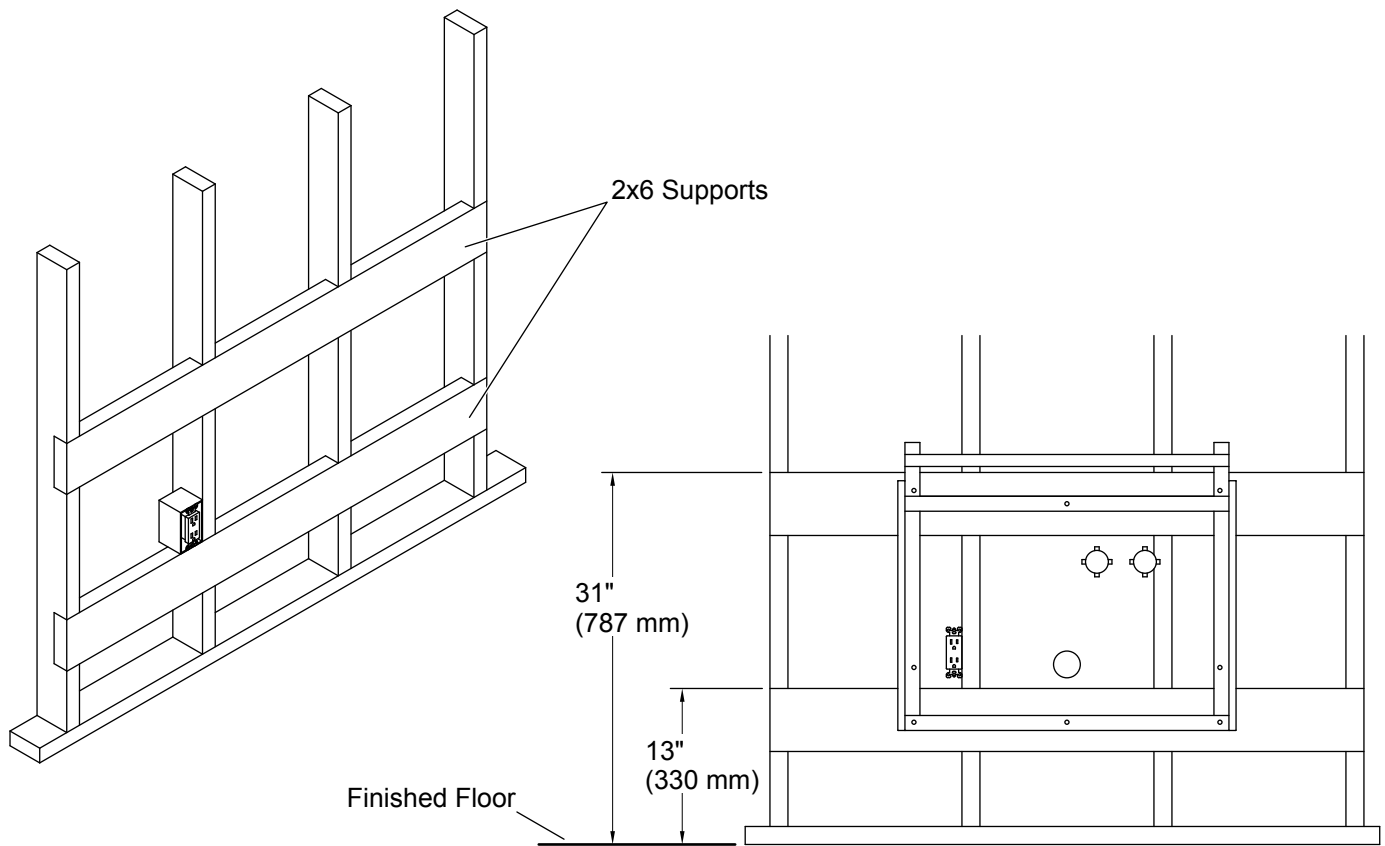
**IMPORTANT!** When determining the installation location, verify that the enclosure will not interfere with the water supplies, drain outlet, and electrical outlet(s).

Before installation, plan the locations of all required components. For more information, refer to the instructions packed with the soap dispenser and faucet.

Use 2x6 supports between wall studs to mount the frame. Refer to the arrows in the illustration to identify the mounting-hole locations on the back rails of the frame.

## 1. Prepare the Site

---



**⚠ CAUTION: Risk of property damage.** To properly support the weight of the sink system, secure to stud framing or 2x6 support behind the finished wall.

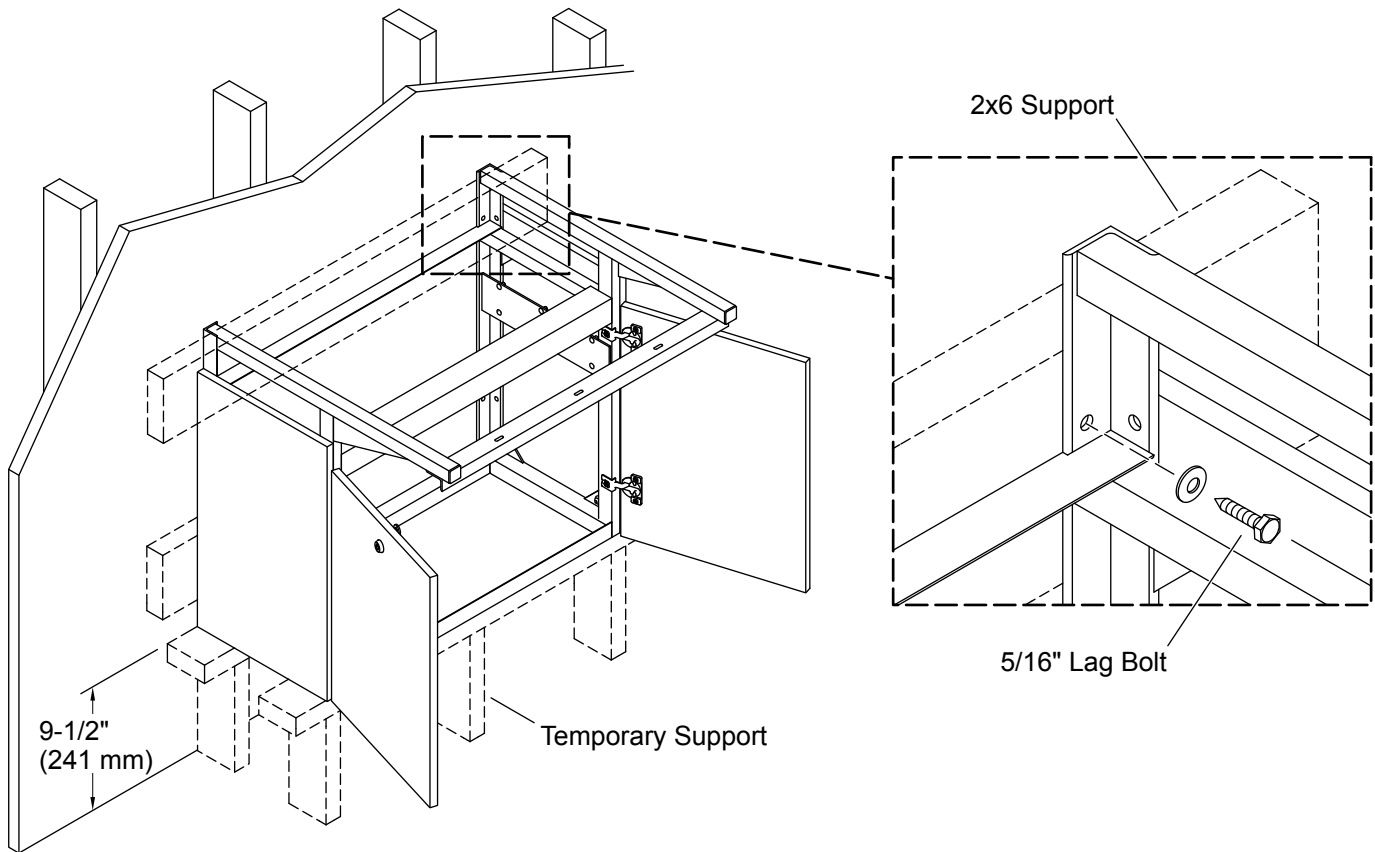
- Verify that the water supplies and the drain outlet are properly located at the frame installation location. Refer to the rough-in information for your product.
- Install two sets of 2x6s supports between the wall studs at the frame installation location. Front-notch the studs so the supports sit flush against studs. The top of the upper support should be 31" (787 mm) from the finished floor. The top of the lower support should be 13" (330 mm) from the finished floor.
- Install a constant unswitched 120 VAC electrical outlet within 5' (1.5 m) of each AC supply for the faucet(s) and soap dispenser(s). Refer to the rough-in information for your product.

**NOTICE:** To verify proper support and alignment, the finished wall must be straight and plumb.

- Complete the finished wall.



## 2. Install the Enclosure

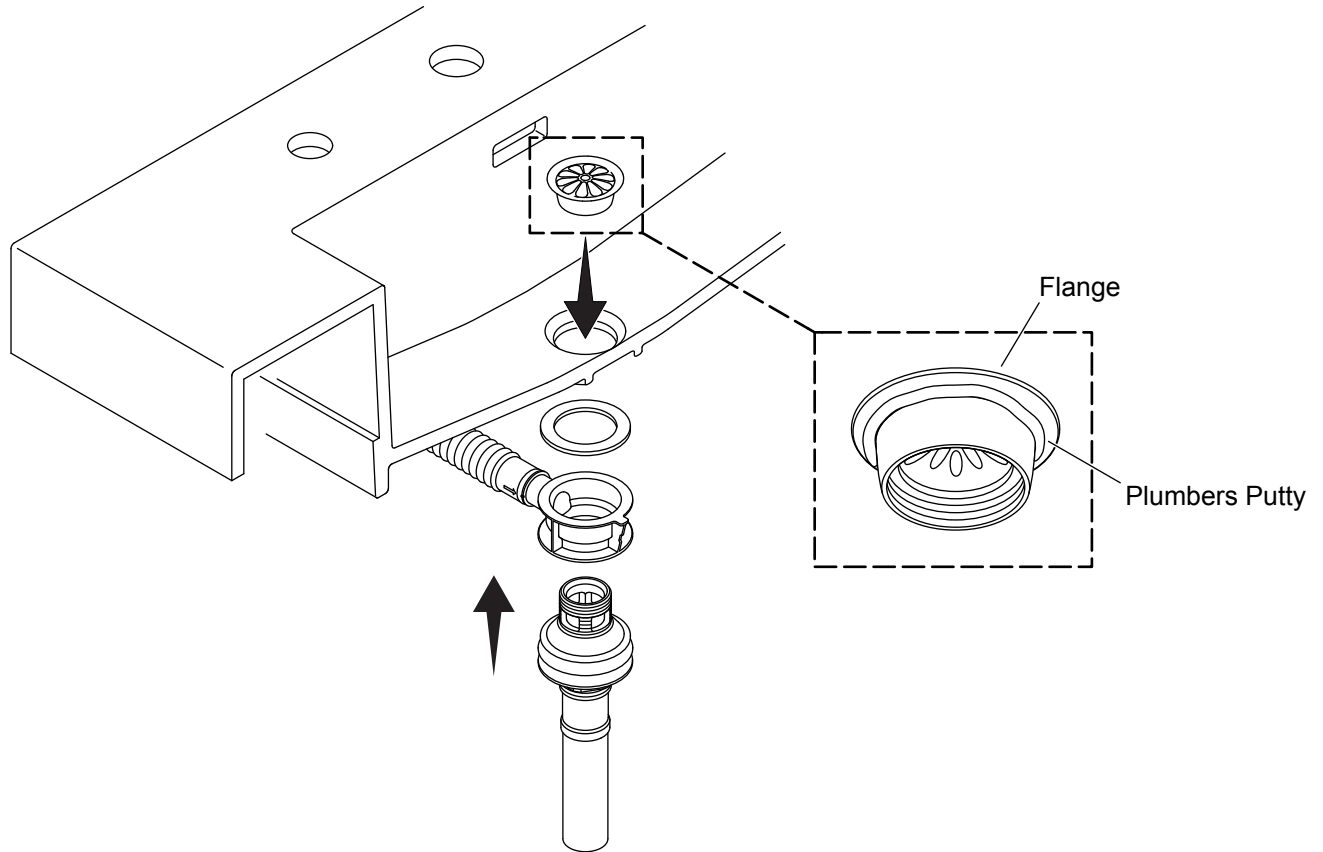


**⚠ CAUTION: Risk of personal injury or property damage.** Select 500 lb (227 kg) load-bearing 5/16" lag bolts with a length to clear obstacles in the wall and 5/16" washers. Calculate the proper lag bolt length by adding the following: 1-1/2" (38 mm) backing material, plus the wallboard thickness, plus the back rail thickness.

- Create a temporary support structure that is 9-1/2" (241 mm) from the finished floor and spans the width of the enclosure.
- With assistance, lift and place the enclosure in position onto the support structure and against the finished wall. **Do not lift the enclosure by the doors.**
- Verify that the enclosure is level and plumb against the wall. If necessary, position shims under the temporary support to adjust the enclosure.
- To ease installation, open the doors and remove the center panel(s), if present. Refer to the "Center Panel Removal and Installation (If Applicable)" section.
- Using a 1/4" drill bit, drill a pilot hole through each mounting hole and into the finished wall. Refer to the rough-in for your product mounting-hole locations.
- Verify that the holes penetrate the 2x6 supports or a wall stud.
- Secure the enclosure with 5/16" lag bolts and washers (not provided). The lag bolts should engage the 2x6 supports or a wall stud.

### 3. Install the Drain

---

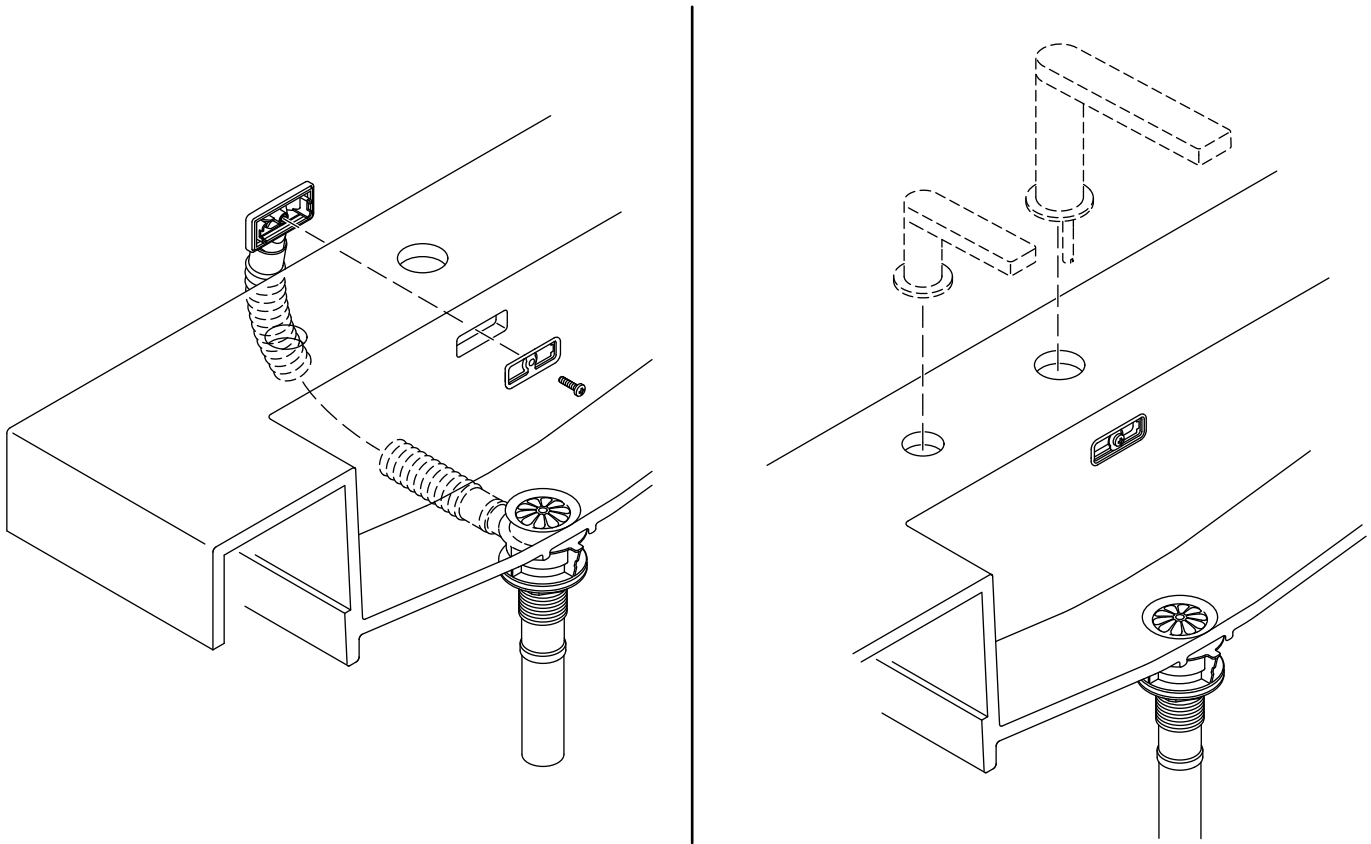


**NOTE:** To ease installation, set the sink on end on a protective surface (not shown) when attaching components.

- With assistance, set the sink on end on a protective surface (not shown).
- Remove the drain flange from the drain body.
- On the underside of the sink, position the gasket and overflow fitting under the drain hole.
- Insert the drain body into the overflow fitting and the sink drain hole.
- Position the overflow arm to the back.
- Apply plumbers putty to the underside of the flange.
- Thread the flange onto the drain body.
- Apply thread sealant tape to the drain pipe threads.
- Tighten the nut to secure the drain assembly to the sink.
- Wipe away excess plumbers putty.
- For 60" and 90" models:** Repeat the steps to install additional drains.

## 4. Install the Overflow and Faucets

---



**NOTE:** To ease installation, set the sink on end on a protective surface (not shown) when attaching components.

**NOTE:** For faucet and soap dispenser installation, refer to the instructions packed with the products.

- With assistance, set the sink on end on a protective surface (not shown).

### Install the Overflow

- Curve the end of the overflow tube upward to align with the sink overflow hole.
- Secure the overflow to the sink with the screw provided.
- For 60" and 90" models:** Repeat the steps to attach additional overflows.

### Install the Faucets

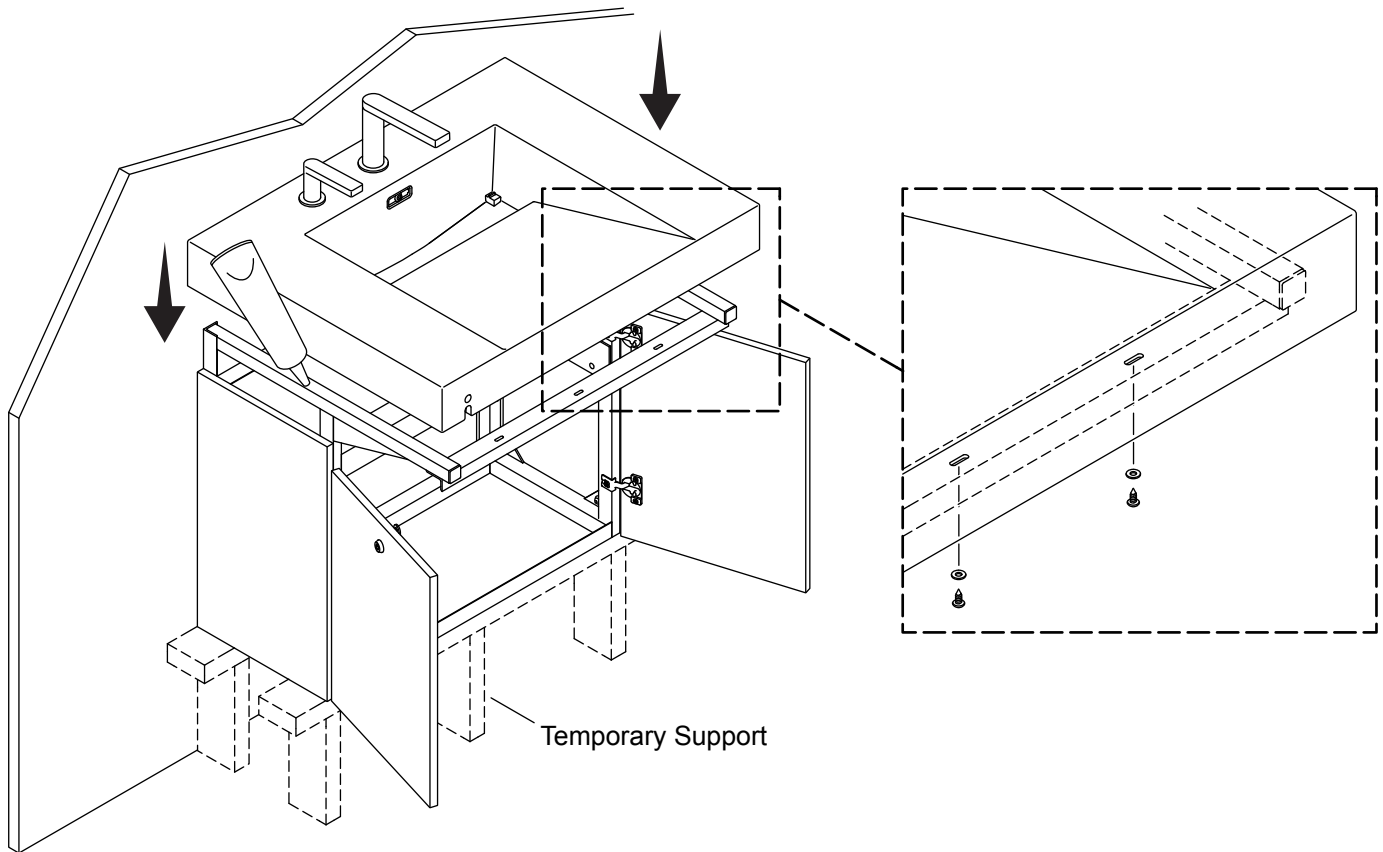
**NOTE:** Connect the wiring and tubing components after the sink is installed to the enclosure.

**NOTE:** Your product may appear different than the one illustrated. Deck-mount faucet models are shown.

- Assemble the faucet(s) and soap dispenser(s) to the sink. Refer to the instructions packed with the products.
- Do not make any wiring or tubing connections at this time.

## 5. Install the Sink Deck

---

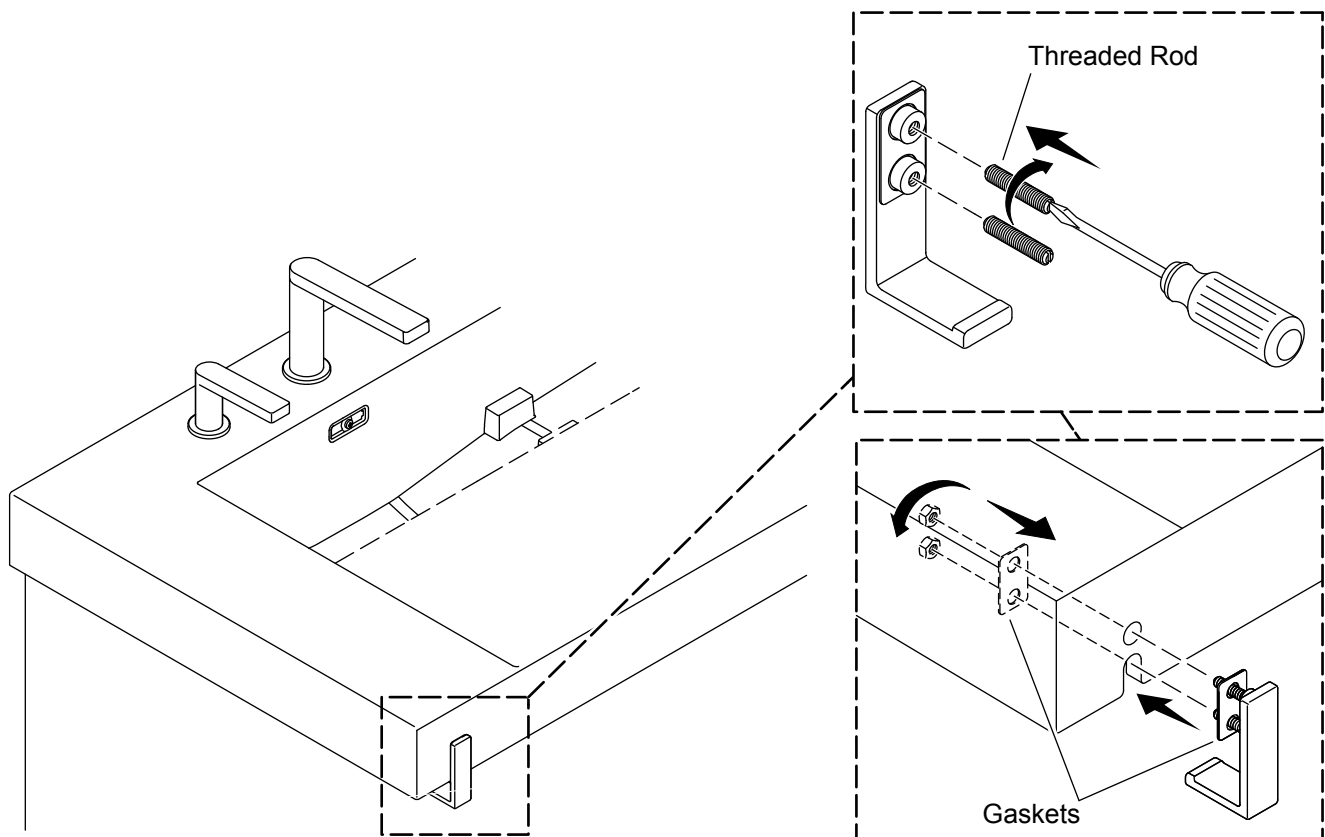


**NOTE:** For faucet and soap dispenser installation, refer to the instructions packed with the products.

- Install the faucet and soap dispenser components within the enclosure according to the roughing-in information.
- Apply a bead of silicone sealant to the top of the enclosure.
- With assistance, carefully lift and position the sink deck onto the enclosure. Avoid kinking or damaging the wires, tubes, and other components under the sink deck.
- Verify that the sink deck is properly positioned on the enclosure.
- Verify that no wires or tubes are pinched.
- Secure the front of the sink deck to enclosure using the screws provided.
- Connect the faucet and soap dispenser components. Refer to the instructions packed with the products and follow the power connections for the "AC Multi-Output Supply."
- Use 1-1/2" tubes and fittings to complete the drain connections. Refer to the roughing-in information.
- Turn ON the water supplies. Check all connections for leaks.

## 6. Install the Hook

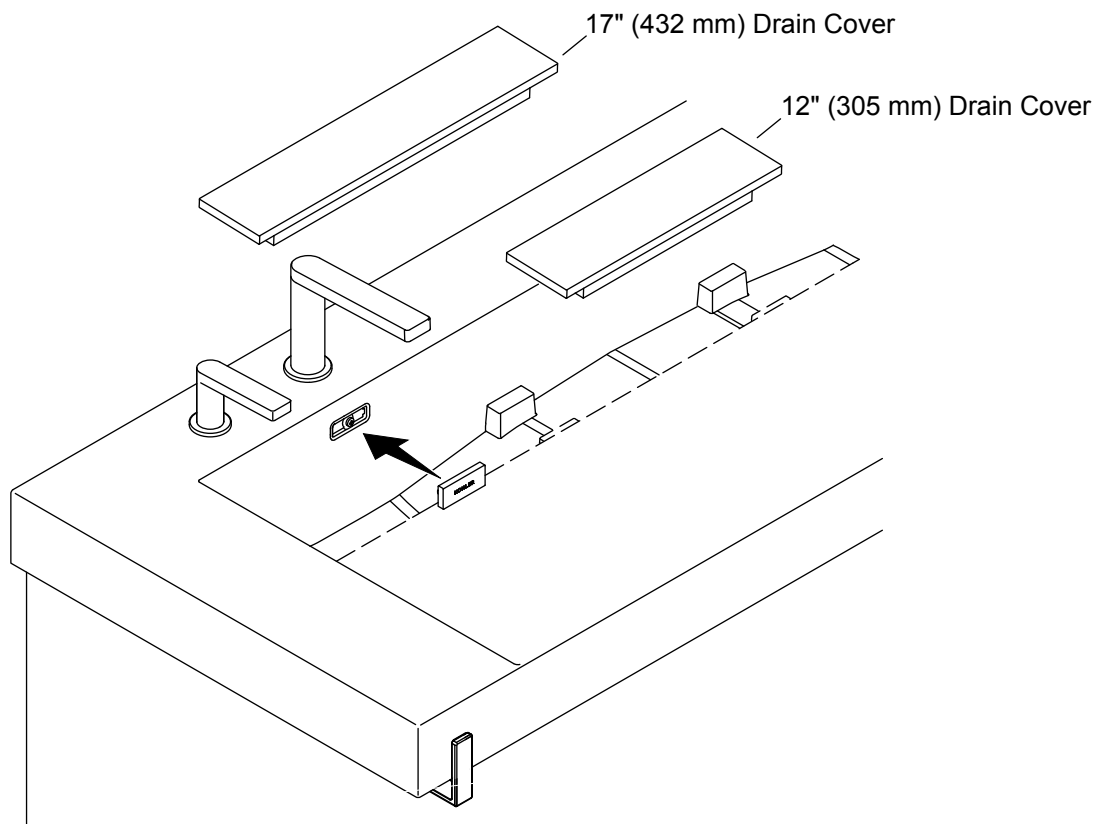
---



- Install the two threaded rods into the hook.
- Assemble the hook, gaskets, and nuts to the front of the sink.
- Using an adjustable wrench, tighten the nuts.

## 7. Complete the Installation

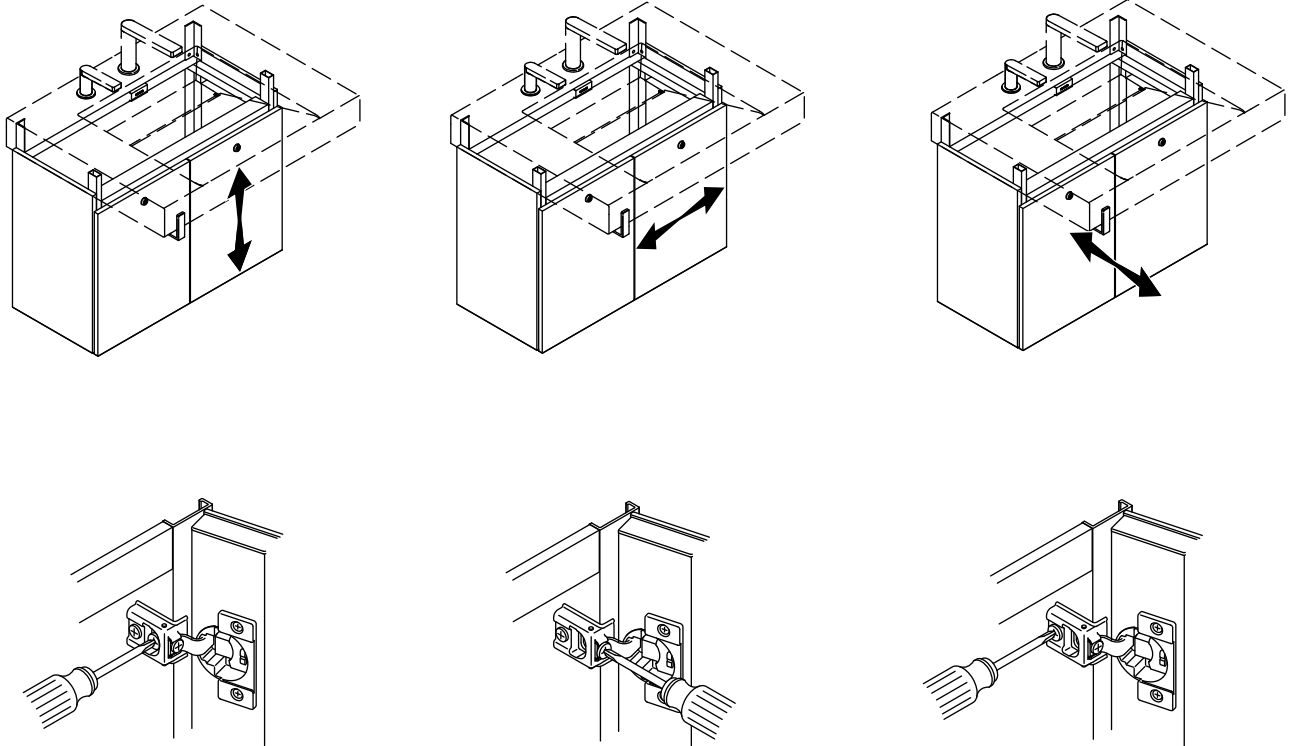
---



- Test operation of the faucet(s) and soap dispenser(s). Refer to the instructions packed with the products.
- Remove and discard the temporary structure supporting the enclosure.
- Apply silicone sealant along the seams where the enclosure meets the wall.
- If Applicable:** Reinstall the front panel(s). Secure the panel(s) to the bottom brackets with the retained washers and screws.
- Place the drain cover(s) centered in the sink basin/trough. Verify that the cover(s) are resting against the front bumper.
- For Sinks With Side-by-Side Drain Covers:** Place the 17" (432 mm) drain covers first and use the 12" (305 mm) drain covers to fill in the spaces between the 17" (432 mm) drain covers. Using a drain cover removal tool, carefully slide the drain covers until there is even spacing between each drain cover.
- Align the overflow cover over the overflow opening and snap in place. Repeat for any additional overflow covers.

## Door Adjustment and Removal

---



### Door Adjustment

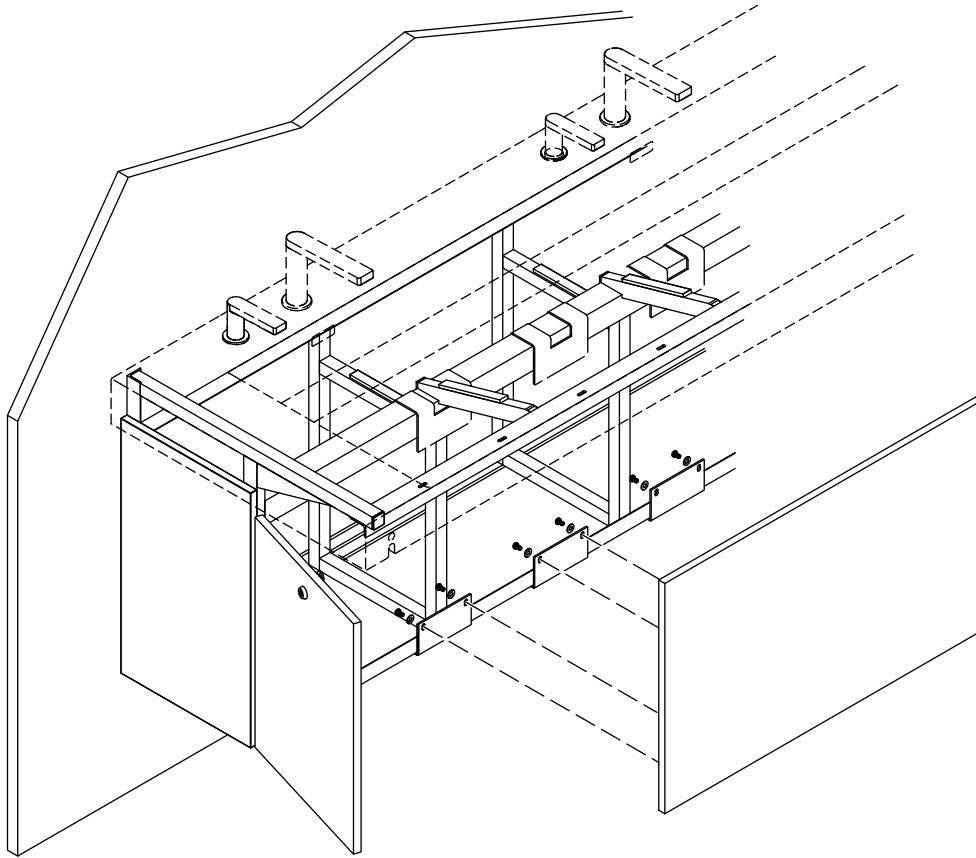
- Use the provided keys to lock or unlock the doors.
- Adjust the hinges as needed for proper door functionality and alignment.
- Refer to the illustration and note the screwdriver location for the desired adjustment.

### Door Removal

- Remove the screws holding the hinge to the door.

## Center Panel Removal and Installation (If Applicable)

---



**NOTE:** The 30" product models do not include a center panel.

### **Center Panel Removal**

- Remove the screws securing the bottom of the center panel to the frame. Retain the screws.
- Lift the panel to unhinge the top brackets from the frame.
- Pull the panel away from the unit and safely store the panel.

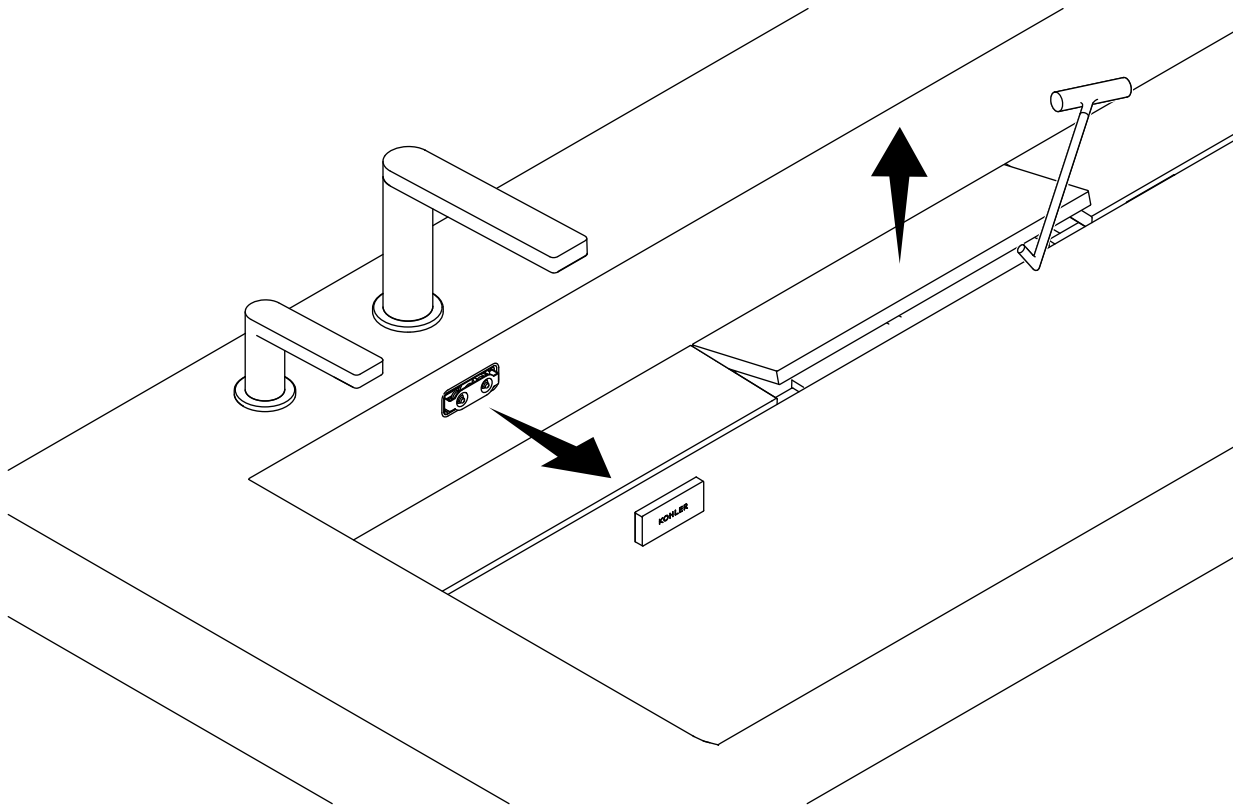
### **Center Panel Installation**

- Hook the top brackets onto the frame.
- Secure the bottom of the panel to the bottom brackets using the retained screws.



## Maintenance

---



### Clean the Overflow Drain

- Carefully remove the drain cover from the overflow opening.
- Remove any debris from the overflow tube.

### Clean the Drain

- Using a drain cover removal tool, lift up on the edge of the drain cover.
- Grab the drain cover to remove from the sink basin/trough.
- Remove any debris from the drain.

# Instructions d'installation

## Système de lavabo intégré à montage mural

### Merci d'avoir choisi KOHLER

---

**Besoin d'aide?** Appeler notre centre de services à la clientèle.

- USA/Canada : 1-800-4KOHLER (1-800-456-4537) Mexique : 001-800-456-4537
- Pièces d'entretien : [kohler.com/serviceparts](http://kohler.com/serviceparts)
- Entretien et nettoyage : [kohler.com/clean](http://kohler.com/clean)
- Brevets : [kohlercompany.com/patents](http://kohlercompany.com/patents)

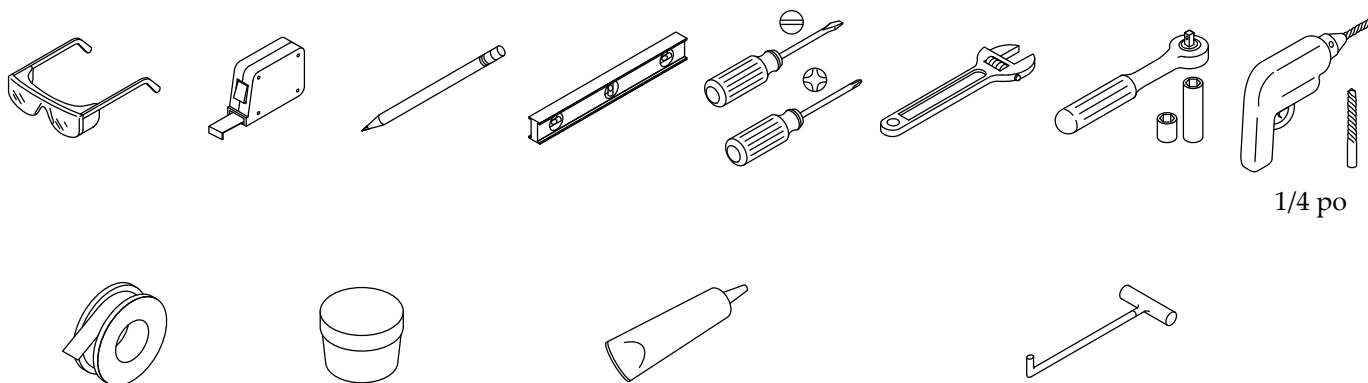
### Garantie

---

Ce produit est couvert sous la **garantie limitée d'un an KOHLER®**, fournie sur le site [kohler.com/warranty](http://kohler.com/warranty). Pour obtenir une copie imprimée des termes de la garantie, s'adresser au centre de services à la clientèle.

### Outils et matériel

---





Ruban d'étanchéité Mastic de plombier Mastic d'étanchéité à la silicone Outil de dépose de couvercle de drain

#### Plus :


- Tire-fonds 5/16 po et rondelles porteurs de [500 lb (227 kg)]
- Supports 2x6
- Outils et matériel de menuiserie
- Cales
- Matériel de protection
- Raccords et tubes de 1-1/2 po pour les raccords du drain


## Renseignements importants


 **AVERTISSEMENT : Lors de l'utilisation de produits électriques, toujours observer les mesures de précaution de base, dont les suivantes :**


 **DANGER : Risque de choc électrique.** Uniquement connecter à un circuit protégé par un disjoncteur de fuite de terre (GFCI)\*.


\*Hors de l'Amérique du Nord, ce dispositif peut être connu sous le nom de dispositif à courant résiduel (RCD).


 **AVERTISSEMENT : Risque de choc électrique.** Une mise à la terre est requise. Un électricien qualifié doit effectuer toutes les connexions électriques.

 **AVERTISSEMENT : Risque de choc électrique.** Débrancher l'alimentation électrique avant un entretien.

 **AVERTISSEMENT : Risque de blessures ou de dommages matériels.** Lire toutes les instructions avec attention avant de commencer l'installation.

 **ATTENTION : Risque d'endommagement du produit.** Ne pas modifier l'enveloppe en métal. Cela pourrait compromettre la stabilité structurelle.

 **ATTENTION : Risque de blessures ou de dommages matériels.** Choisir des tire-fonds de 5/16 po porteurs de 500 lb (227 kg) avec une longueur adéquate pour dégager les obstacles dans le mur, ainsi que des rondelles de 5/16 po. Calculer la longueur appropriée des tire-fonds en additionnant ce qui suit : matériau de renfort de 1-1/2 po (38 mm), plus épaisseur du panneau mural, plus épaisseur du rail arrière.

 **ATTENTION : Risque de dommages matériels.** Pour supporter le poids du meuble-lavabo et le dessus du meuble-lavabo/le lavabo de manière appropriée, sécuriser sur le pan à colombages ou le support 2x6 à l'arrière du mur fini.

Respecter tous les codes de plomberie et du bâtiment locaux.

Le produit est conforme aux exigences ADA lorsqu'il est installé conformément aux dimensions de raccordement.

Fournir une prise électrique de 120 V c.a. non commutée constante placée sous le lavabo à 5 pi (1,5 m) de chaque alimentation c.a.

Le produit en question peut être différent de celui qui est illustré. La procédure d'installation reste la même.

**Pour des modèles de 60 po et 90 po :** Pour faciliter l'installation, retirer le ou les panneaux du centre de l'ensemble avant de commencer. Se reporter à la section « Retrait et installation du panneau central » (le cas échéant).

Deux personnes doivent effectuer cette installation.

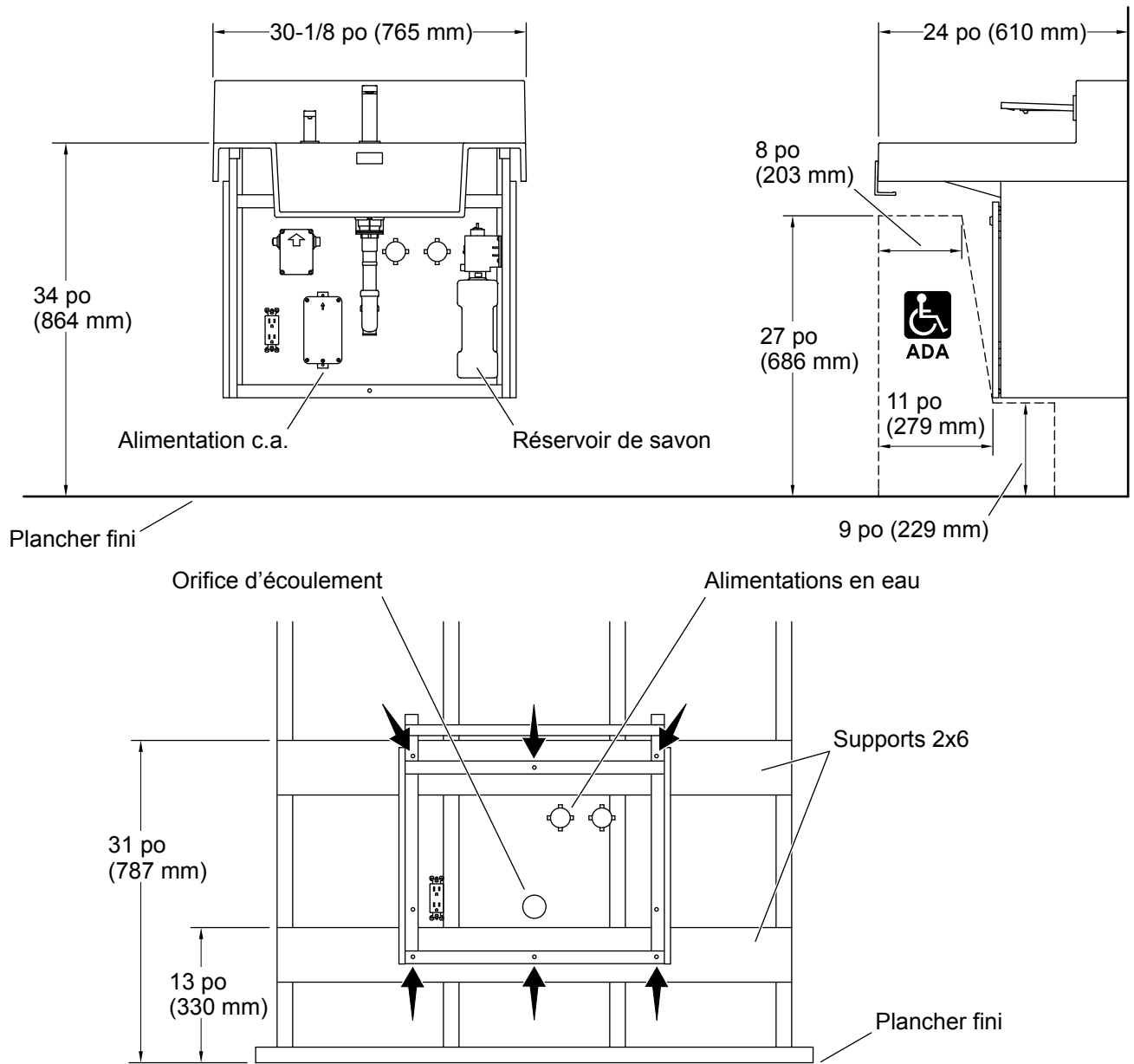
## Vue d'ensemble de l'installation

---

**IMPORTANT!** Pour assurer une installation réussie, suivre l'ordre des étapes d'installation décrites ci-dessous.

- Étudier le plan de raccordement fourni pour le produit en question.
- Vérifier que les alimentations en eau et que l'orifice d'écoulement n'interfèrent pas avec les composants de l'enveloppe.
- Installer des supports 2x6 entre les montants muraux.
- Installer une prise électrique de 120 V c.a. non commutée constante. Deux prises électriques pourraient être nécessaires.
- Terminer le mur fini.
- Créer une structure temporaire pour supporter l'enveloppe pendant l'installation.
- Retirer le ou les panneaux du centre (si présents) de l'enveloppe.
- Fixer l'enveloppe sur le mur.
- Assembler le drain sur le lavabo.
- Fixer le trop-plein sur le lavabo.
- Assembler le robinet et le distributeur de savon sur le lavabo. Se reporter aux instructions accompagnant les produits.
- Installer le comptoir de lavabos sur l'enveloppe.
- Installer les boîtiers de commande pour les robinets et les distributeurs de savon. Se reporter aux instructions accompagnant les produits.
- Terminer les raccordements du robinet. Se reporter aux instructions accompagnant les produits.
- Effectuer les connexions du drain.
- Tester chaque robinet et chaque distributeur de savon.
- Retirer la structure de support temporaire.
- Appliquer du mastic d'étanchéité à la silicone le long des joints à l'emplacement où l'ensemble rencontre le mur.
- Réinstaller le ou les panneaux du centre (le cas échéant).
- Installer les couvercles du drain.
- Attacher les couvercles du trop-plein.
- Installer le crochet utilitaire.
- Ajuster les panneaux de porte (si nécessaire).

## Raccordement pour système de lavabos de 30 po



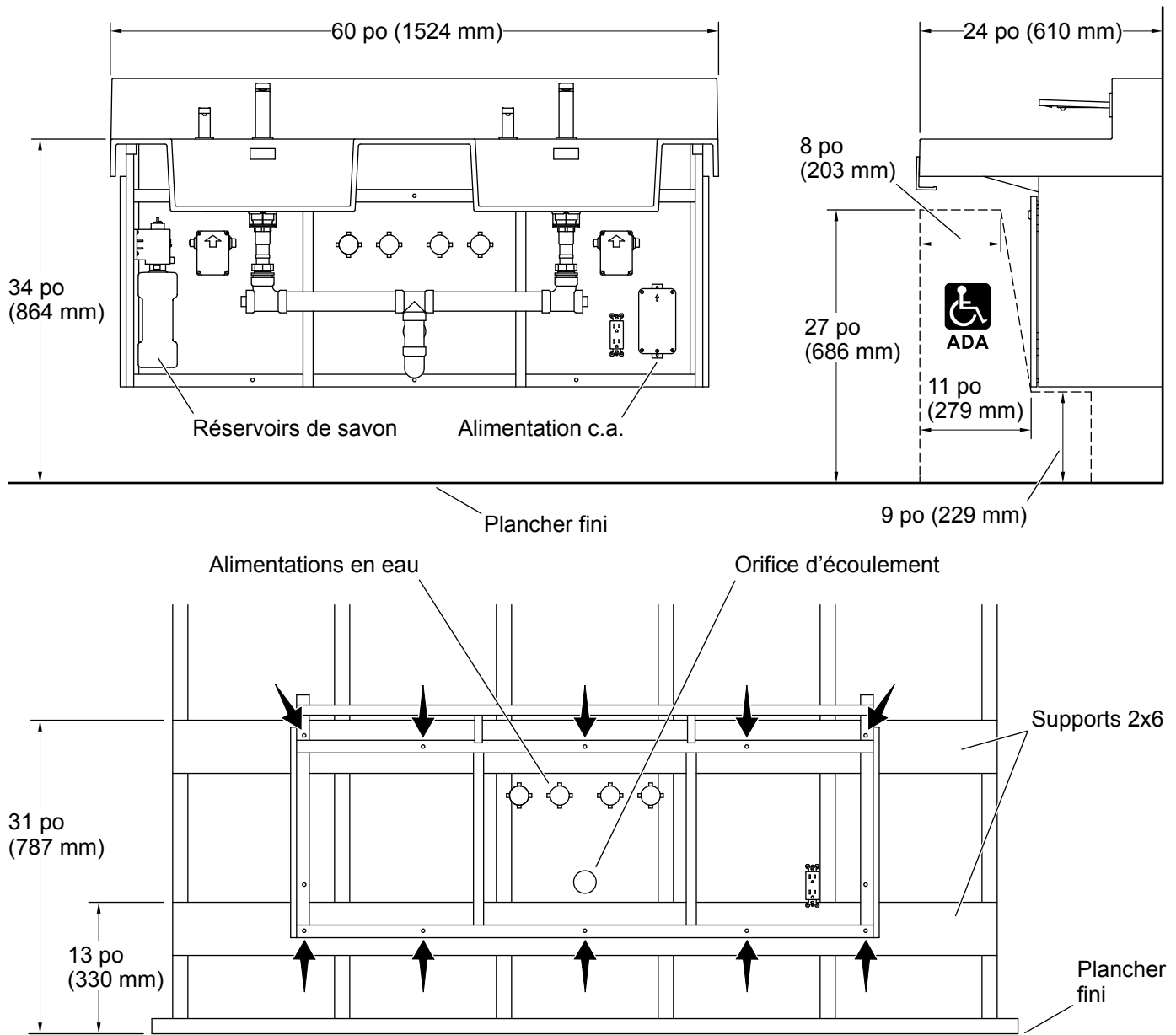
**IMPORTANT!** Lors de la détermination de l'emplacement d'installation, vérifier, que l'enveloppe n'interfère pas avec les alimentations en eau, l'orifice d'écoulement, et la ou les prises électriques.

Avant l'installation, planifier les emplacements de tous les composants requis. Pour obtenir de l'information supplémentaire, se reporter aux instructions accompagnant le distributeur de savon et le robinet.

Utiliser des supports 2x6 entre les montants muraux pour monter le cadre. Se reporter aux flèches dans l'illustration pour identifier les emplacements des trous de fixation sur les rails arrière du cadre.

## Raccordement pour système de lavabos de 60 po

FR

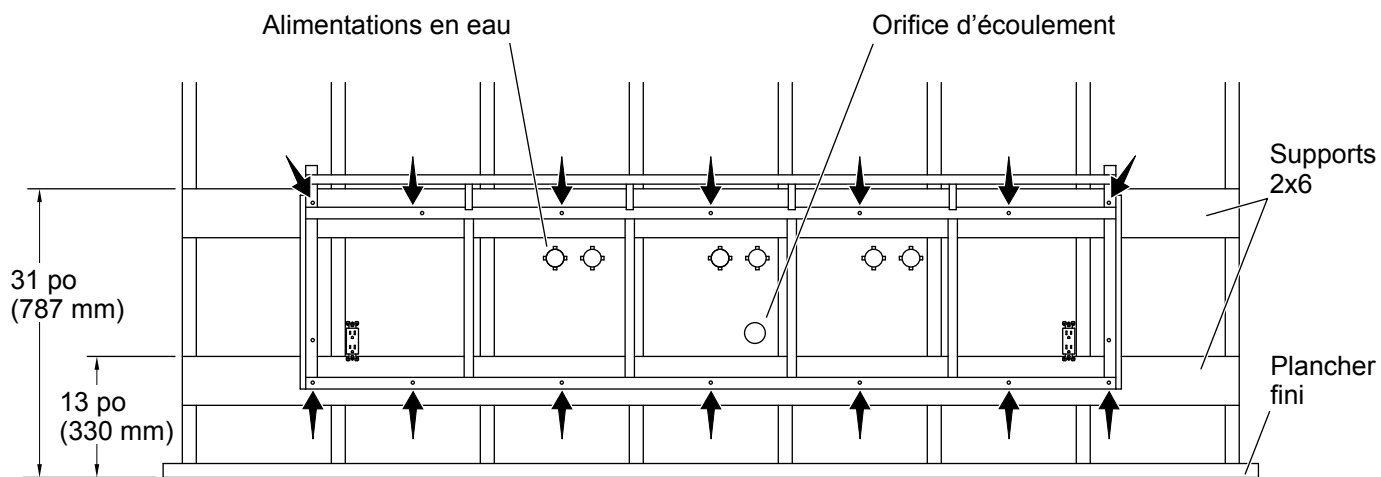
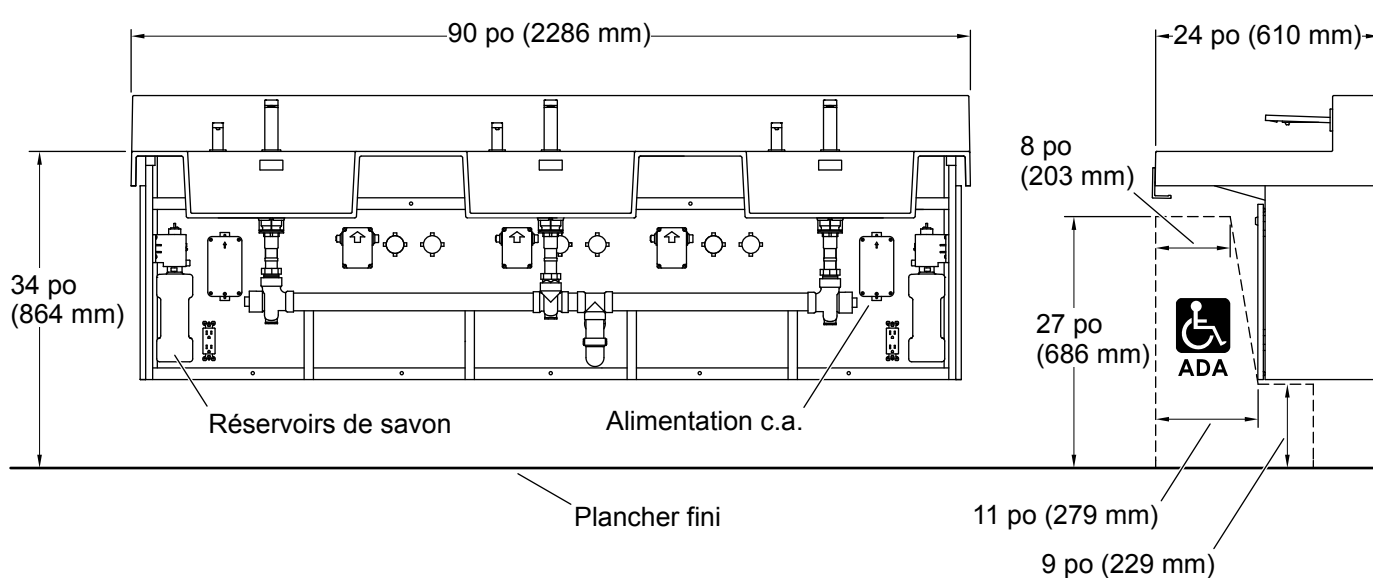


**IMPORTANT!** Lors de la détermination de l'emplacement d'installation, vérifier, que l'enveloppe n'interfère pas avec les alimentations en eau, l'orifice d'écoulement, et la ou les prises électriques.

Avant l'installation, planifier les emplacements de tous les composants requis. Pour obtenir de l'information supplémentaire, se reporter aux instructions accompagnant le distributeur de savon et le robinet.

Utiliser des supports 2x6 entre les montants muraux pour monter le cadre. Se reporter aux flèches dans l'illustration pour identifier les emplacements des trous de fixation sur les rails arrière du cadre.

## Raccordement pour système de lavabos de 90 po



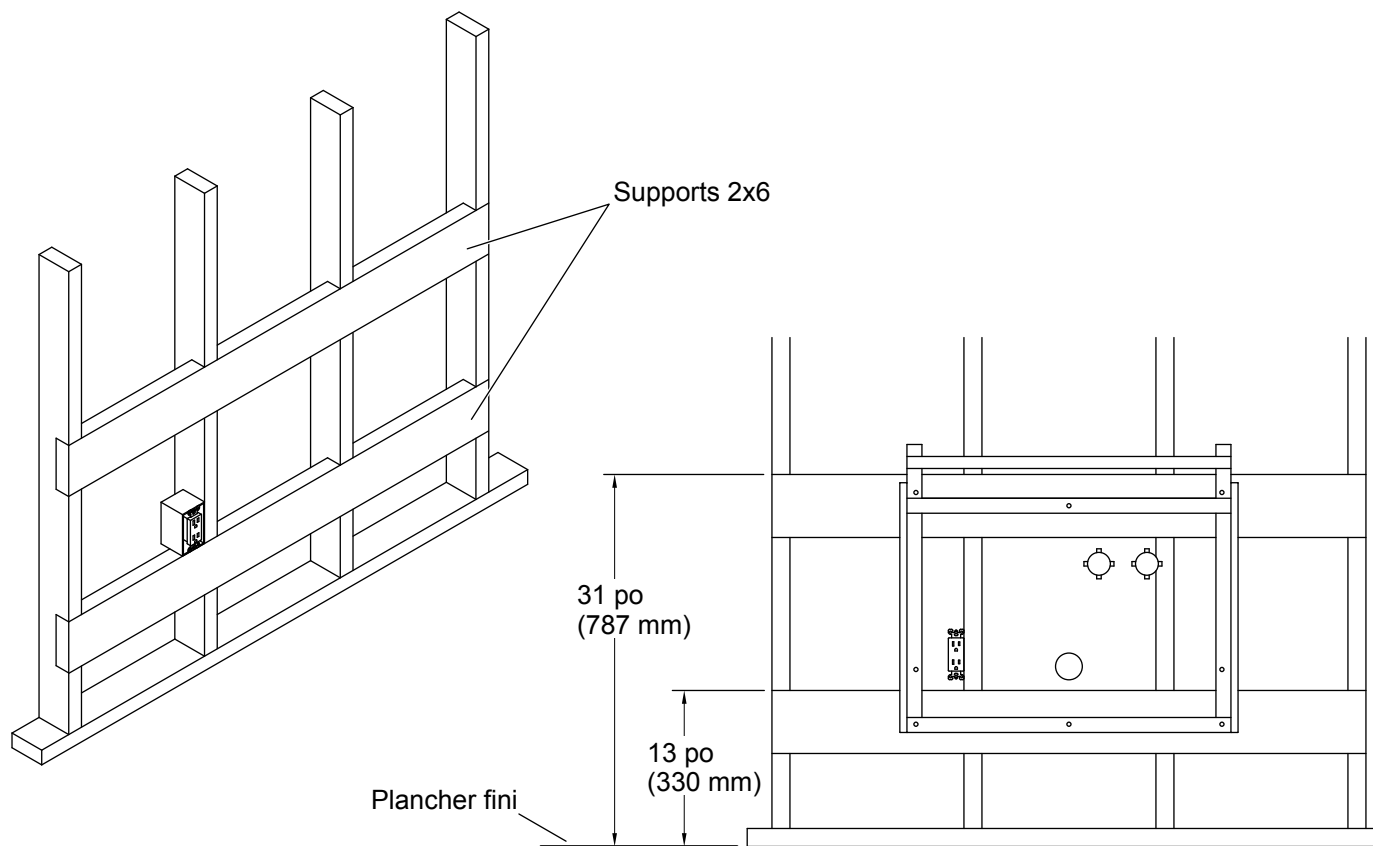
**IMPORTANT!** Lors de la détermination de l'emplacement d'installation, vérifier, que l'enveloppe n'interfère pas avec les alimentations en eau, l'orifice d'écoulement, et la ou les prises électriques.

Avant l'installation, planifier les emplacements de tous les composants requis. Pour obtenir de l'information supplémentaire, se reporter aux instructions accompagnant le distributeur de savon et le robinet.

Utiliser des supports 2x6 entre les montants muraux pour monter le cadre. Se reporter aux flèches dans l'illustration pour identifier les emplacements des trous de fixation sur les rails arrière du cadre.

## 1. Préparer le site

FR



**⚠ ATTENTION : Risque de dommages matériels.** Pour supporter le poids du système de lavabos de manière appropriée, sécuriser sur le pan à colombages ou le support 2x6 à l'arrière du mur fini.

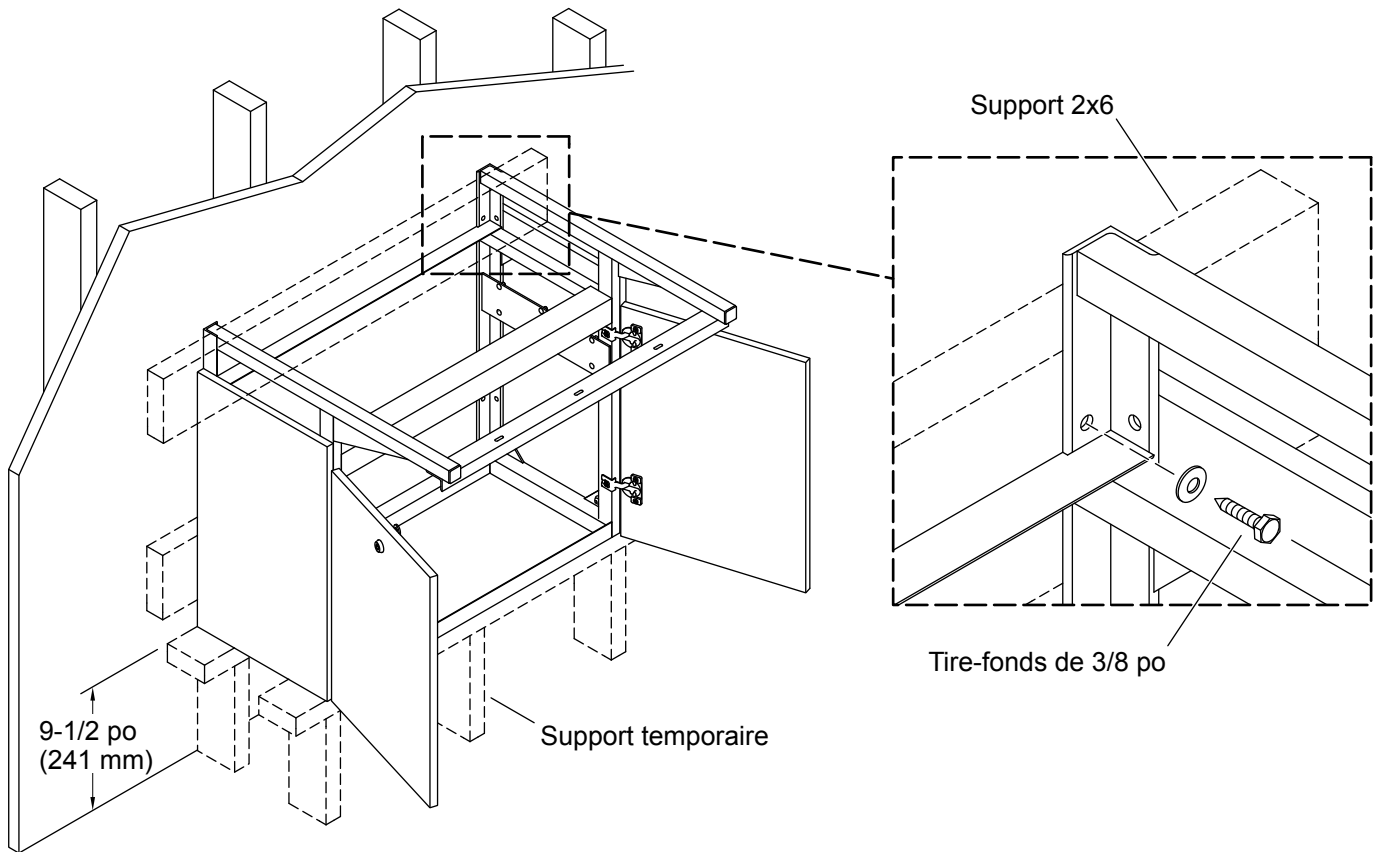
- Vérifier que les alimentations en eau et que l'orifice d'écoulement sont positionnés correctement à l'emplacement d'installation du cadre. Se référer au plan de raccordement fourni avec le produit.
- Installer deux ensembles de supports 2x6 entre les montants muraux à l'emplacement d'installation du cadre. Placer des encoches à l'avant des montants de manière à ce que les supports soient à ras des montants. Le haut du support supérieur doit se trouver à 31 po (787 mm) du plancher fini. Le haut du support inférieur doit se trouver à 13 po (330 mm) du plancher fini.
- Installer une prise électrique de 120 V c.a. non commutée constante dans un rayon de 5 pi (1,5 m) de chaque alimentation c.a. pour le(s) robinet(s) et le(s) distributeur(s) de savon. Se référer au plan de raccordement fourni pour le produit en question.

**AVIS :** Pour vérifier que le support et l'alignement sont adéquats, le mur fini doit être droit et d'aplomb.

- Terminer le mur fini.



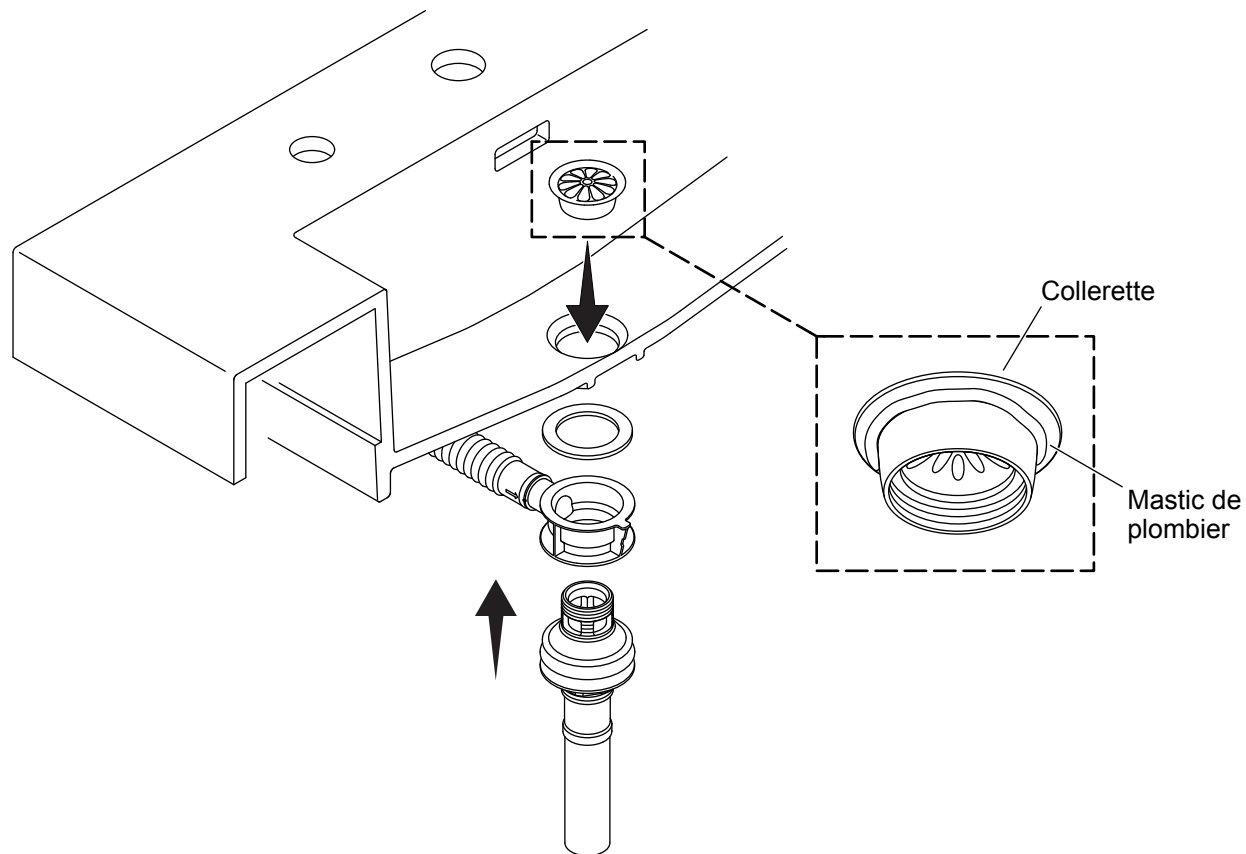
## 2. Installer l'enveloppe



**⚠ ATTENTION : Risque de blessures ou de dommages matériels.** Choisir des tire-fonds de 5/16 po porteurs de 500 lb (227 kg) avec une longueur adéquate pour dégager les obstacles dans le mur, ainsi que des rondelles de 5/16 po. Calculer la longueur appropriée des tire-fonds en additionnant ce qui suit : matériau de renfort de 1-1/2 po (38 mm), plus épaisseur du panneau mural, plus épaisseur du rail arrière.

- Créer une structure de support temporaire se trouvant à 9-1/2 po (241 mm) du plancher fini et s'étendant sur la largeur de l'enveloppe.
- Avec de l'aide, lever et positionner l'enveloppe sur la structure de support et contre le mur fini. **Ne pas soulever l'enveloppe par les portes.**
- Vérifier que l'enveloppe est à niveau et d'aplomb contre le mur. Si nécessaire, positionner des cales sous le support temporaire pour ajuster l'enveloppe.
- Pour faciliter l'installation, ouvrir les portes et retirer le ou les panneaux du centre, s'il y a lieu. Se reporter à la section « Dépose et installation du panneau central (le cas échéant).
- Utiliser un foret de 1/4 po pour percer un avant-trou à travers chaque trou de fixation et dans le mur fini. Se reporter au plan de raccordement pour les emplacements des trous de fixation du produit en question.
- Vérifier que les trous pénètrent dans les supports 2x6 ou un poteau mural.
- Sécuriser l'enveloppe avec des tire-fonds de 5/16 po et des rondelles (non fournis). Les tire-fonds doivent engager les supports 2x6 ou un poteau mural.

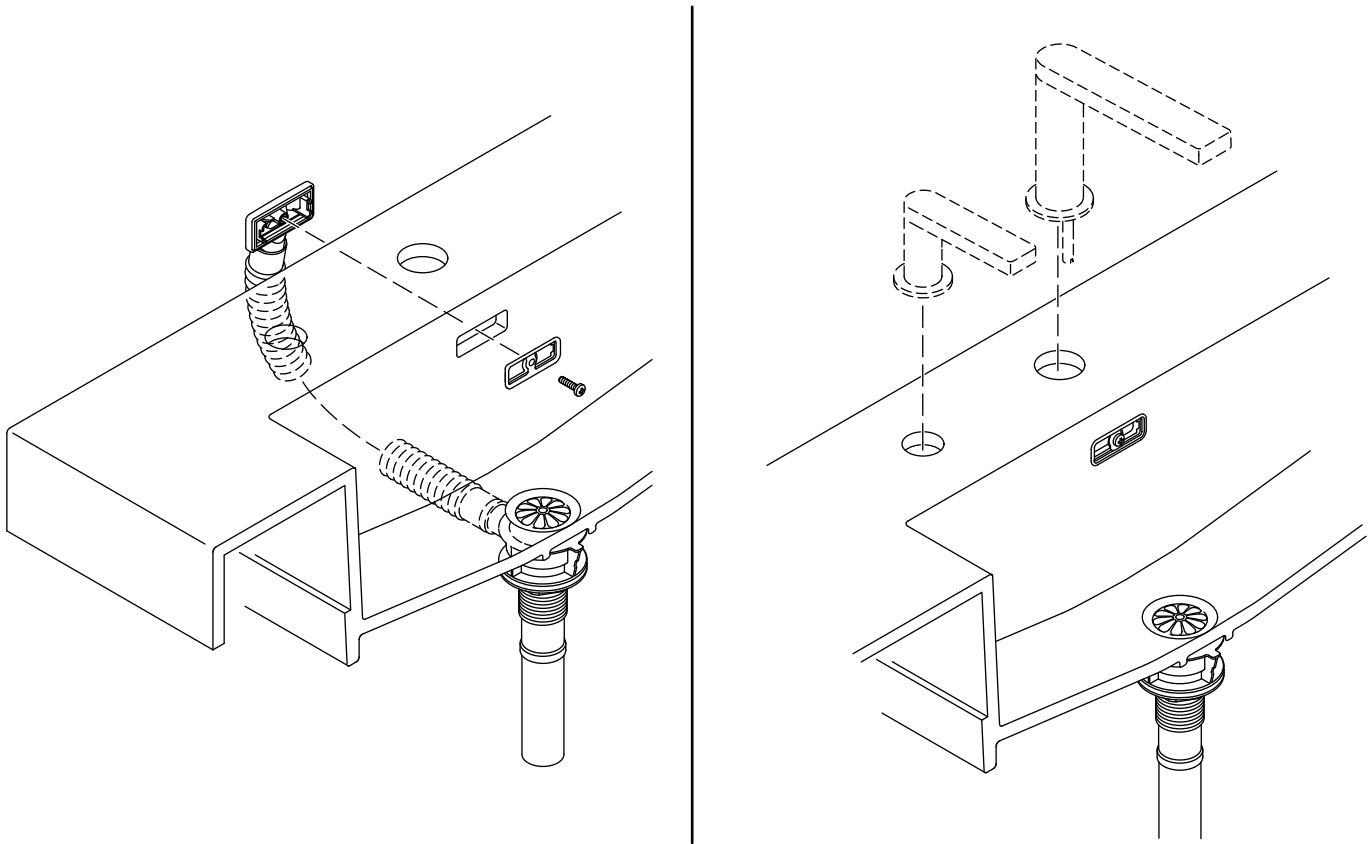
### 3. Installer le drain



**REMARQUE :** Pour faciliter l'installation, poser le lavabo sur une extrémité sur une surface de protection (non illustré) lors de la fixation des composants.

- Avec de l'aide, poser le lavabo sur une surface de protection (non illustré).
- Retirer la collerette d'écoulement du corps du drain.
- Sur le dessous du lavabo, positionner le joint d'étanchéité et le raccord du trop-plein sous le trou du drain.
- Insérer le corps du drain dans le raccord du trop-plein et le trou du drain du lavabo.
- Positionner le bras du trop-plein sur l'arrière.
- Appliquer du mastic de plombier sur le dessous de la collerette.
- Enfiler la collerette d'écoulement sur le corps du drain.
- Appliquer du ruban d'étanchéité pour filets sur les filets du tuyau d'évacuation.
- Serrer l'écrou pour fixer l'ensemble du drain sur le lavabo.
- Essuyer tout excédent de mastic de plombier.
- Pour des modèles de 60 po et 90 po :** Répéter les étapes pour installer des drains supplémentaires.

## 4. Installer le trop-plein et les robinets



**REMARQUE :** Pour faciliter l'installation, poser le lavabo sur une extrémité sur une surface de protection (non illustré) lors de la fixation des composants.

**REMARQUE :** Pour l'installation du robinet et du distributeur de savon, consulter les instructions accompagnant les produits.

- Avec de l'aide, poser le lavabo sur l'extrémité d'une surface de protection (non illustré).

### Installer le trop-plein

- Courber l'extrémité du tube du trop-plein vers le haut pour l'aligner avec le trou du trop-plein du lavabo.
- Fixer solidement le trop-plein sur le lavabo avec la vis fournie.
- Pour des modèles de 60 po et 90 po :** Répéter les étapes pour attacher des trop-plein supplémentaires.

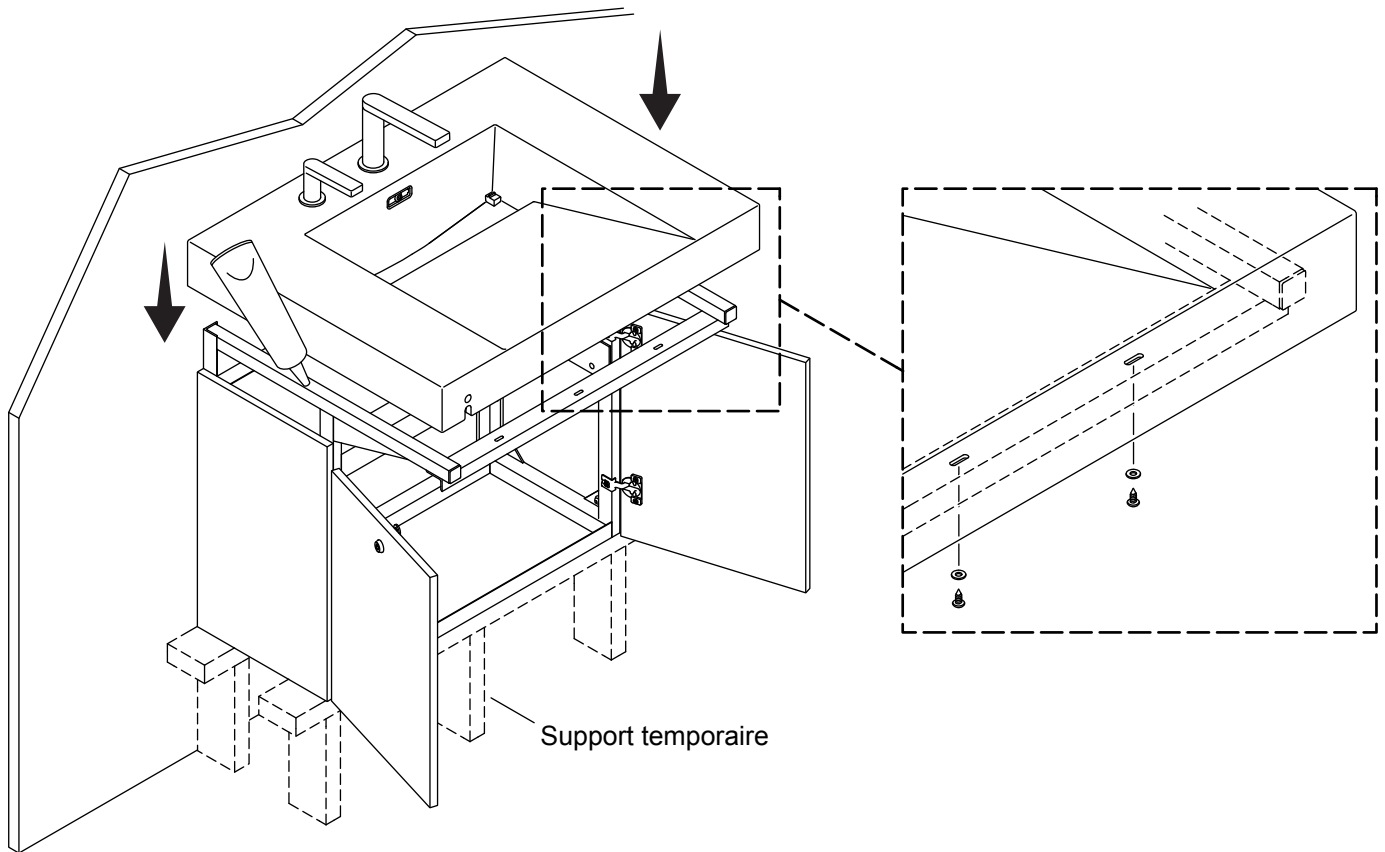
### Installer les robinets

**REMARQUE :** Connecter les composants du câblage et de la tubulure une fois que le lavabo est installé sur l'enveloppe.

**REMARQUE :** Le produit en question peut être différent de celui qui est illustré. Des modèles de robinet à montage sur comptoir sont illustrés.

- Assembler le(s) robinet(s) et le(s) distributeur(s) de savon sur le lavabo. Se reporter aux instructions accompagnant les produits.
- Ne pas effectuer des connexions de câblage ou de tubulure à ce point.

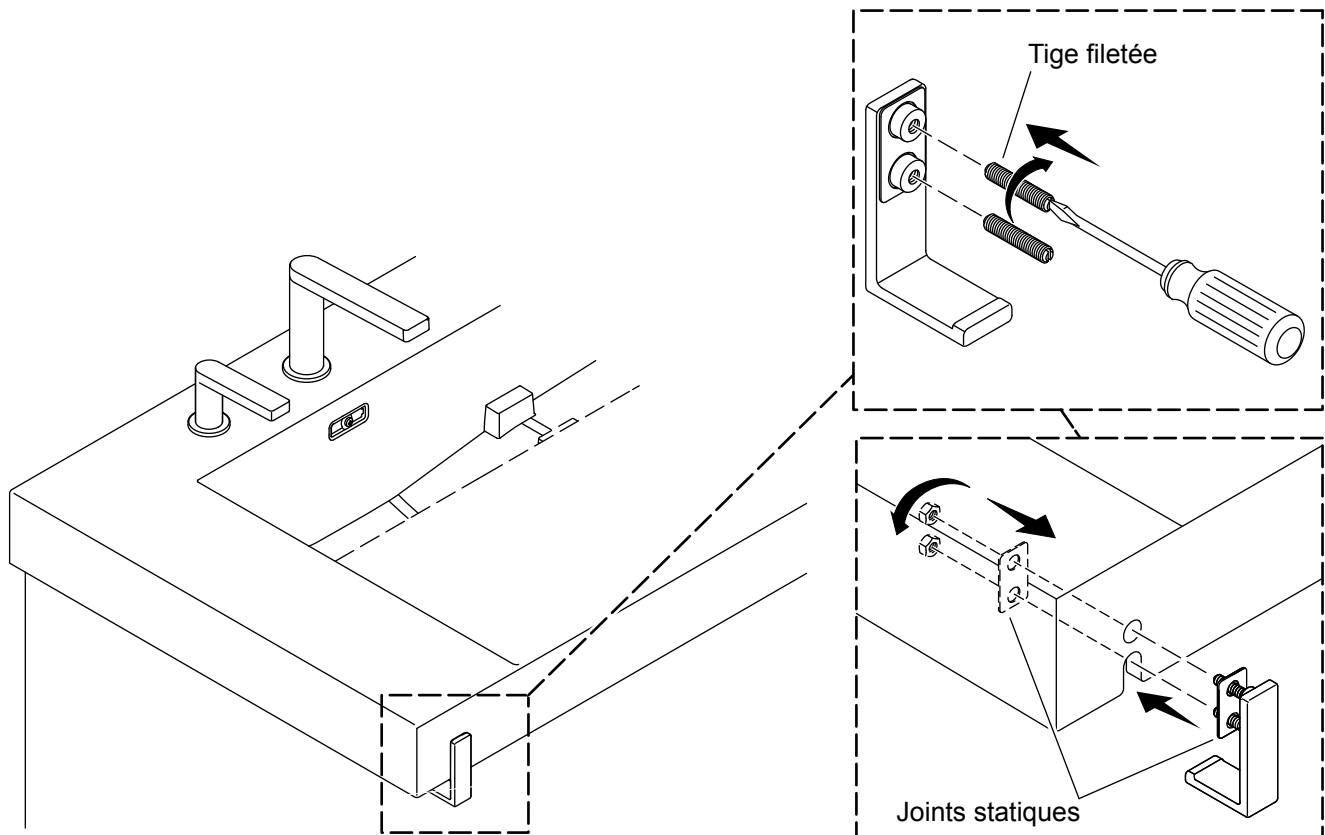
## 5. Installer le comptoir du lavabo



**REMARQUE :** Pour l'installation du robinet et du distributeur de savon, consulter les instructions accompagnant les produits.

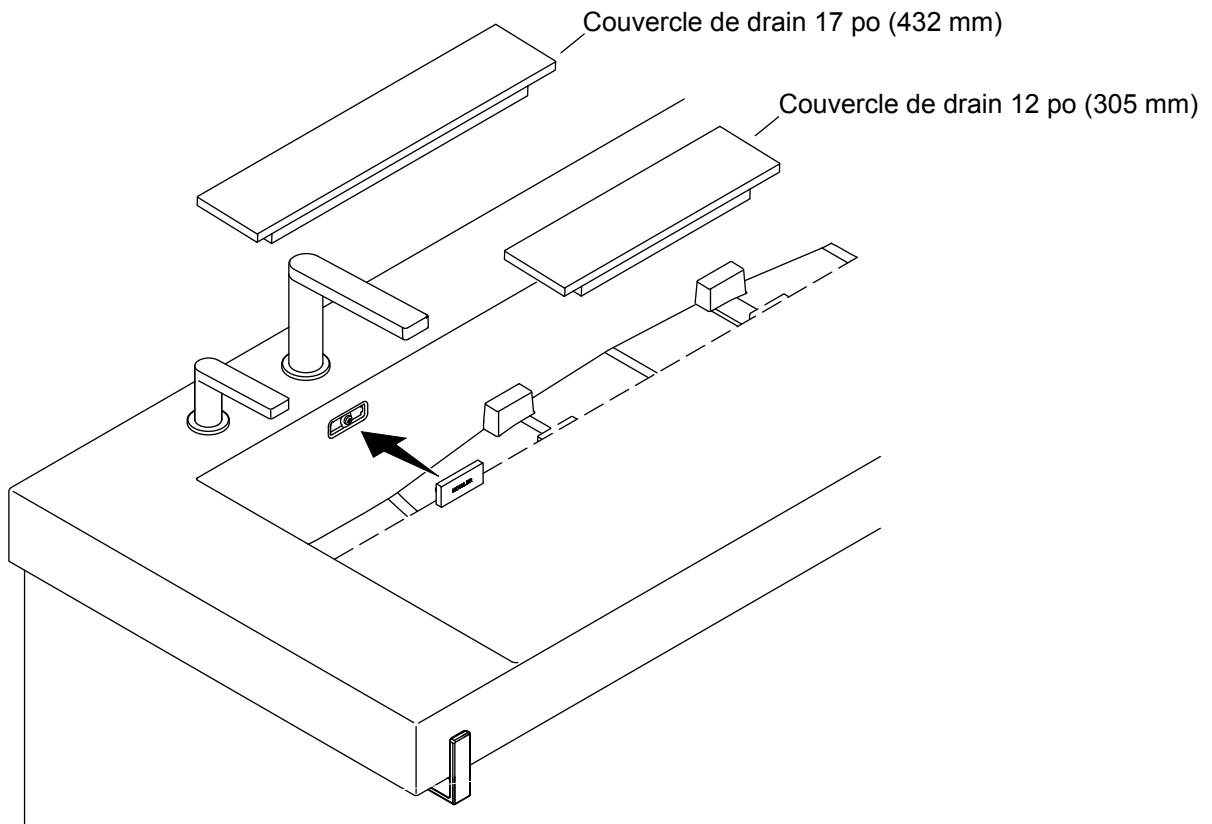
- Installer les composants du robinet et du distributeur de savon dans l'enveloppe conformément à l'information de raccordement.
- Appliquer un boudin de mastic d'étanchéité à la silicone sur le dessus de l'enveloppe.
- Avec de l'aide, lever avec précaution le comptoir de lavabos et le positionner sur l'enveloppe. Éviter de tortiller ou d'endommager les fils, les tubes et d'autres composants sous le comptoir de lavabos.
- Vérifier que le comptoir de lavabos est positionné correctement sur l'enveloppe.
- Vérifier qu'aucun fil et qu'aucun tube ne sont pincés.
- Fixer l'avant du comptoir de lavabos sur l'enveloppe en utilisant les vis fournies.
- Connecter les composants du robinet et du distributeur de savon. Se reporter aux instructions accompagnant les produits et suivre les connexions d'alimentation pour « Alimentation c.a. à plusieurs sorties ».
- Utiliser des raccords et des tubes de 1-1/2 po pour effectuer les raccordements du drain. Se référer à l'information de raccordement.
- Ouvrir les alimentations en eau. Inspecter tous les raccords pour y rechercher des fuites éventuelles.

## 6. Installer le crochet

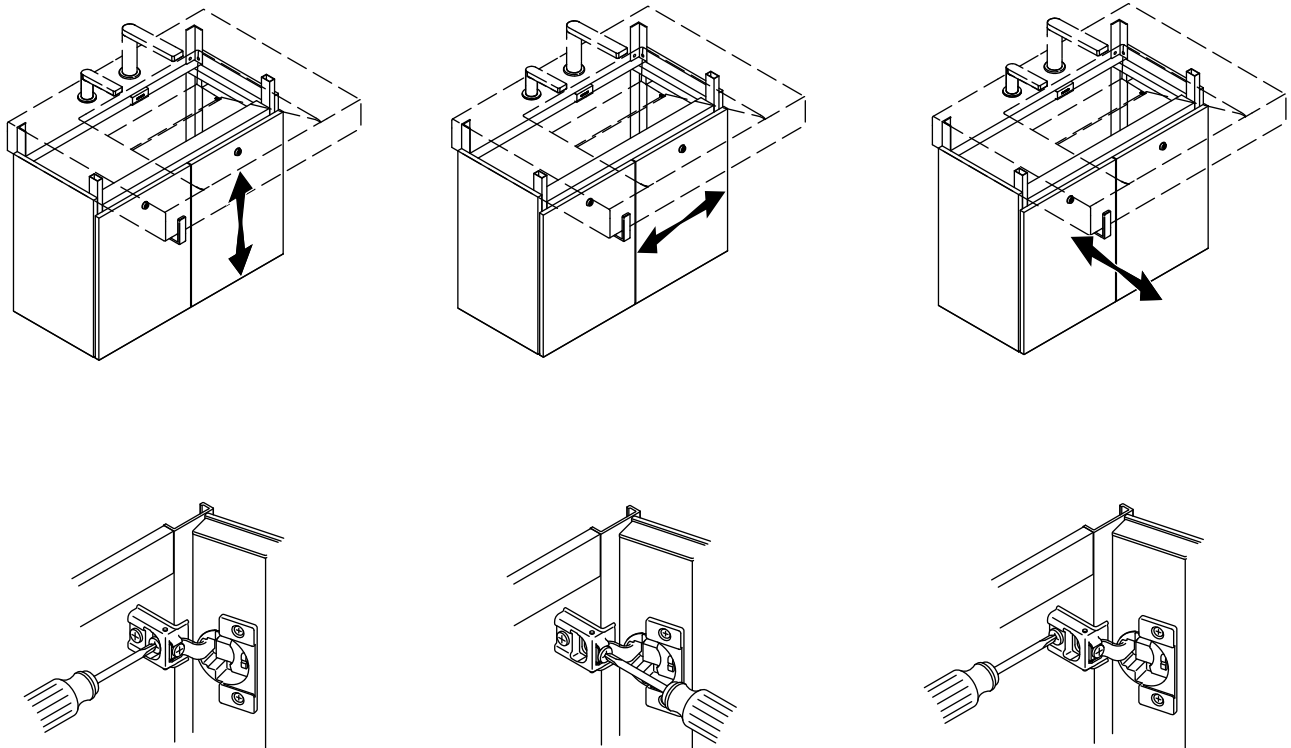


- Installer les deux tiges filetées dans le crochet.
- Assembler le crochet, les joints et les écrous sur l'avant du lavabo.
- Serrer les écrous en utilisant une clé à molette.

## 7. Terminer l'installation



- Tester le fonctionnement du ou des robinets et du ou des distributeurs de savon. Se reporter aux instructions accompagnant les produits.
- Retirer et jeter la structure temporaire qui supporte l'enveloppe.
- Appliquer du mastic d'étanchéité à la silicone le long des joints à l'emplacement où l'enveloppe rencontre le mur.
- Si applicable** : Réinstaller le ou les panneaux avant. Fixer le(s) panneau(x) sur les supports inférieurs avec les rondelles et vis conservées.
- Placer le(s) couvercle(s) du drain centrés dans la cuvette/le bac du lavabo. Vérifier que le(s) couvercle(s) reposent contre le butoir avant.
- Pour les lavabos avec des couvercles de drain côte à côte** : Poser les couvercles du drain de 17 po (432 mm) en premier et utiliser les couvercles de drain de 12 po (305 mm) pour remplir les espaces entre les couvercles de drain de 17 po (432 mm). En utilisant l'outil de dépose de couvercle de drain, faire glisser avec précaution les couvercles de drain jusqu'à ce qu'il y ait un espace égal entre chaque couvercle de drain.
- Aligner le couvercle de trop-plein par-dessus l'ouverture du trop-plein et enclencher en place. Répéter pour tous les couvercles de trop-plein supplémentaires.



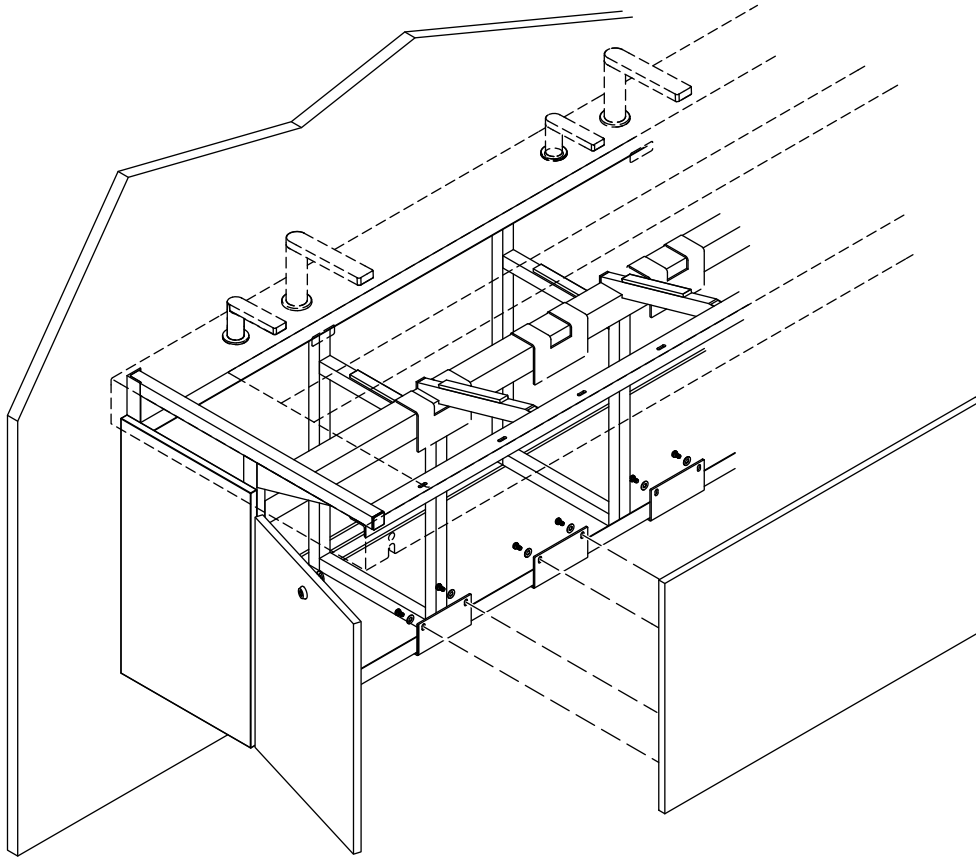
### Ajustement de la porte

- Utiliser les clés fournies pour verrouiller ou déverrouiller les portes.
- Ajuster les charnières au besoin pour un fonctionnement et un alignement adéquats de la porte.
- Se référer à l'illustration et noter l'emplacement du tournevis pour le réglage souhaité.

### Retrait de la porte

- Retirer les vis qui maintiennent la charnière sur la porte.

## Dépose et installation du panneau central (le cas échéant)



**REMARQUE :** Les modèles de produits de 30 po ne comprennent pas de panneau central.

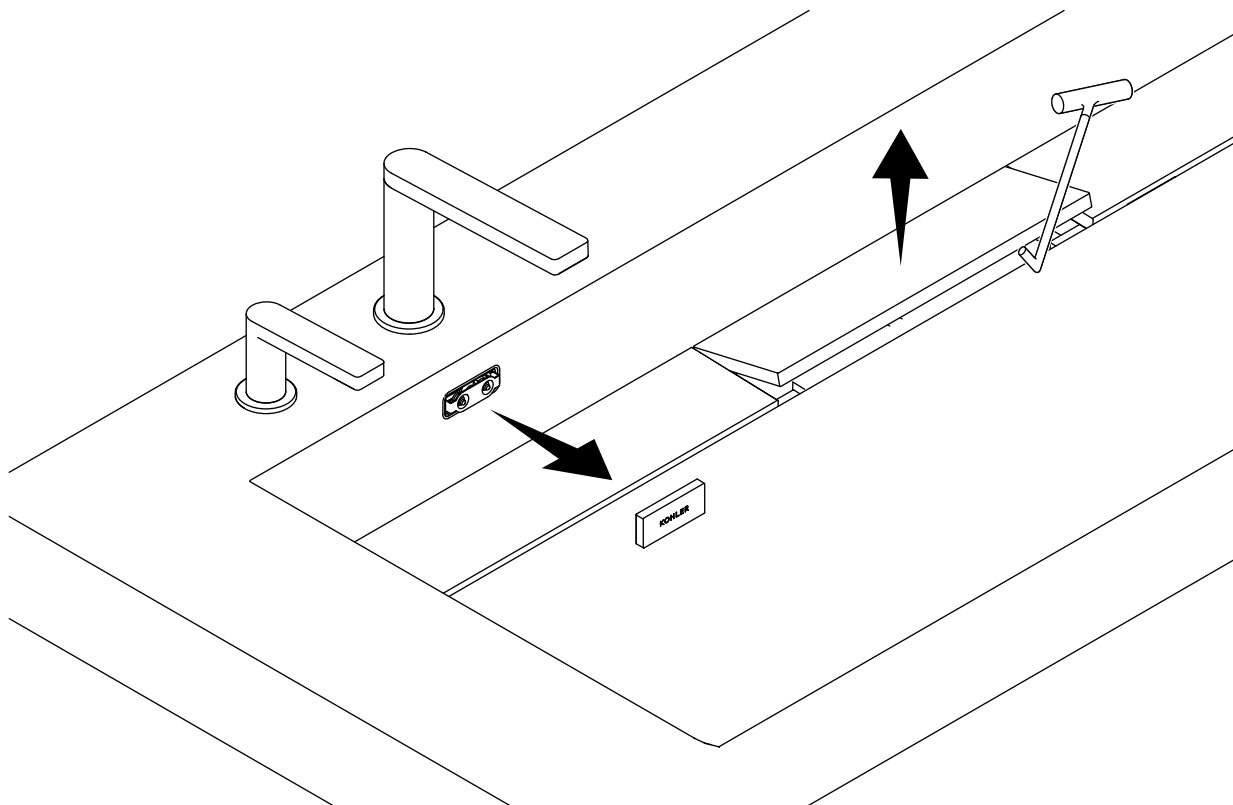
### Dépose du panneau central

- Retirer les vis qui fixent le bas du panneau central sur le cadre. Conserver les vis.
- Lever le panneau pour décrocher les supports supérieurs du cadre.
- Tirer sur le panneau pour le retirer de l'ensemble et l'entreposer dans un endroit sûr.

### Installation du panneau central

- Accrocher les supports supérieurs sur le cadre.
- Fixer le bas du panneau sur les supports inférieurs en utilisant les vis conservées.





## Nettoyer le drain de trop-plein

- Retirer avec précaution le couvercle du drain de l'ouverture du trop-plein.
- Retirer tous les débris du tube de trop-plein.

## Nettoyer le drain

- À l'aide d'un outil de dépose de couvercle de drain, soulever le rebord du couvercle du drain.
- Saisir le couvercle du drain pour retirer la cuvette/le bac du lavabo.
- Retirer tous les débris du drain.

# Instrucciones de instalación

## Sistema de lavabos integrados de montaje a la pared

### Gracias por elegir productos KOHLER

---

¿Necesita ayuda? Comuníquese con nuestro Centro de Atención al Cliente.

- EE. UU./Canadá: 1-800-4KOHLER (1-800-456-4537) México: 001-800-456-4537
- **Piezas de repuesto:** [kohler.com/serviceparts](http://kohler.com/serviceparts)
- **Cuidado y limpieza:** [kohler.com/clean](http://kohler.com/clean)
- **Patentes:** [kohlercompany.com/patents](http://kohlercompany.com/patents)

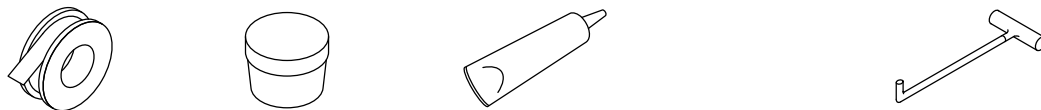
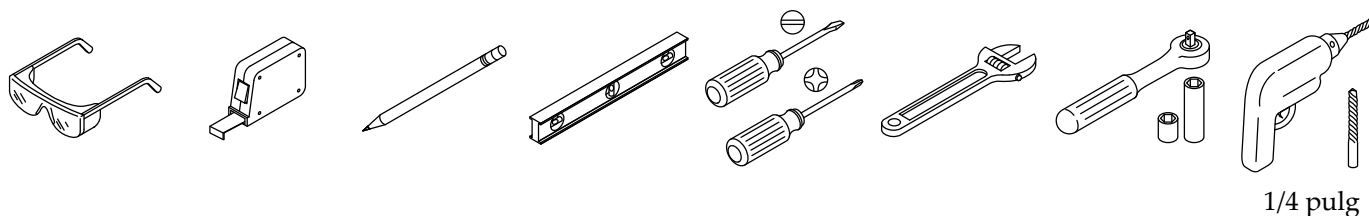
### Garantía

---

A este producto lo cubre la **garantía limitada de un año de KOHLER®**, que se puede consultar en [kohler.com/warranty](http://kohler.com/warranty). Si lo desea, solicite al Centro de Atención al Cliente una copia impresa de los términos de la garantía.

### Herramientas y materiales

---




Cinta selladora Masilla de plomería Sellador de silicona Herramienta de extracción de cubiertas del desagüe


#### Más:

- Tornillos de rosca para madera de 5/16 pulg y arandelas [500 lb (227 kg)] de carga]
- Maderos de 2x6 pulgadas
- Herramientas y materiales de trabajo en madera
- Cuñas
- Material de protección
- Tubos de 1-1/2 pulg y conexiones para desagüe

## Información importante

---


 **AVISO:** Al usar aparatos eléctricos siempre cumpla las precauciones básicas, como las siguientes:


 **PELIGRO: Riesgo de sacudidas eléctricas.** Solo conecte a un circuito protegido por un interruptor de circuito con pérdida a tierra (GFCI)\*.


\*Fuera de Estados Unidos y Canadá es posible que este se conozca como dispositivo de corriente residual (RCD).


 **AVISO: Riesgo de sacudidas eléctricas.** Se requiere conexión a tierra. Todas las conexiones eléctricas debe hacerlas un electricista capacitado.

 **AVISO: Riesgo de sacudidas eléctricas.** Desconecte el suministro eléctrico antes de dar servicio.

 **AVISO: Riesgo de lesiones personales o de daños a la propiedad.** Antes de comenzar la instalación, lea con atención todas las instrucciones.

 **PRECAUCIÓN: Riesgo de daños al producto.** No modifique el recinto de metal. Si lo hace, reducirá su estabilidad estructural.

 **PRECAUCIÓN: Riesgo de sufrir lesiones personales o causar daños a la propiedad.** Seleccione tornillos de rosca para madera de 5/16 pulg, que soporten una carga de 500 lb (227 kg) y con la longitud suficiente para librar obstáculos en la pared, y arandelas de 5/16 pulg. Para calcular la longitud apropiada de los pernos de rosca para madera sume lo siguiente: el material de refuerzo de 1-1/2" (38 mm), más el espesor del panel de yeso, más el espesor de la barra de soporte posterior.

 **PRECAUCIÓN: Riesgo de daños a la propiedad.** Para soportar correctamente el peso del tocador y del lavabo y la cubierta del tocador, fije el tocador a una estructura de postes de madera o a un refuerzo de maderos de 2x6 pulgadas detrás de la pared acabada.

Cumpla todos los códigos locales de plomería y construcción.

El producto cumple los requisitos de ADA si se instala de acuerdo a las dimensiones del diagrama de instalación.

Debe haber un tomacorriente constante no controlado por interruptor de 120 VCA bajo el lavabo, a menos de 5 pies (1,5 m) de cada suministro de CA.

Es posible que su producto parezca distinto al ilustrado. El procedimiento de instalación es el mismo.

**Modelos de 60 y de 90 pulgadas:** Para facilitar la instalación, antes de comenzar retire los paneles centrales de la unidad. Consulte la sección "Desmontaje e instalación del panel central (si corresponde)".

Se requieren 2 personas para hacer esta instalación.

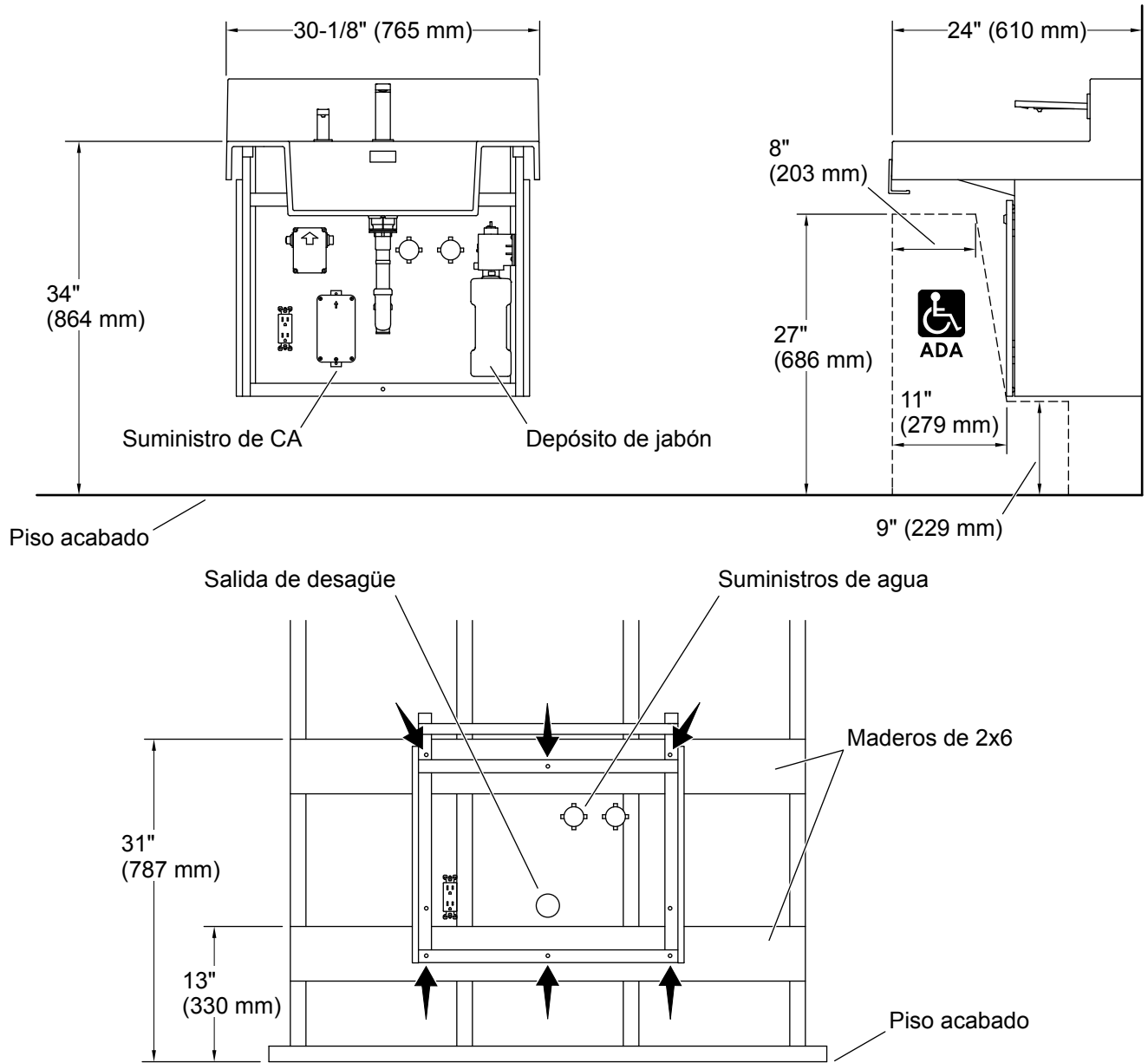
## Resumen de instalación

---

**¡IMPORTANTE!** Para asegurar que la instalación tenga éxito, siga los pasos de instalación a continuación en orden.

- Revise el diagrama de instalación para su producto.
- Verifique que los suministros de agua y que la salida del desagüe no interfieran con los componentes del recinto.
- Instale soportes de maderos de 2x6 pulgadas entre los postes de madera de la pared.
- Instale un tomacorriente constante no conmutado de 120 VCA. Es posible que se requieran 2 tomacorrientes.
- Complete el acabado de la pared.
- Haga una estructura provisional para soportar el recinto durante la instalación.
- Retire los paneles centrales (si los hay) del recinto.
- Fije el recinto a la pared.
- Ensamble el desagüe al lavabo.
- Fije el rebosadero al lavabo.
- Ensamble la grifería y el dispensador de jabón al lavabo. Consulte las instrucciones empacadas con los productos.
- Instale la cubierta para el lavabo al recinto.
- Instale cajas de control para las griferías y para los dispensadores de jabón. Consulte las instrucciones empacadas con los productos.
- Termine de hacer las conexiones de las griferías. Consulte las instrucciones empacadas con los productos.
- Termine de hacer las conexiones de desagüe.
- Pruebe cada una de las griferías y de los dispensadores de jabón.
- Retire la estructura provisional de soporte.
- Aplique sellador de silicona a lo largo de las uniones donde la unidad se une a la pared.
- Vuelva a instalar los paneles centrales (si corresponde).
- Instale las cubiertas del desagüe.
- Instale las cubiertas de los rebosaderos.
- Instale el gancho de servicio.
- Ajuste los paneles de puerta (de ser necesario).

## Diagrama de instalación para un sistema de lavabos de 30 pulgadas



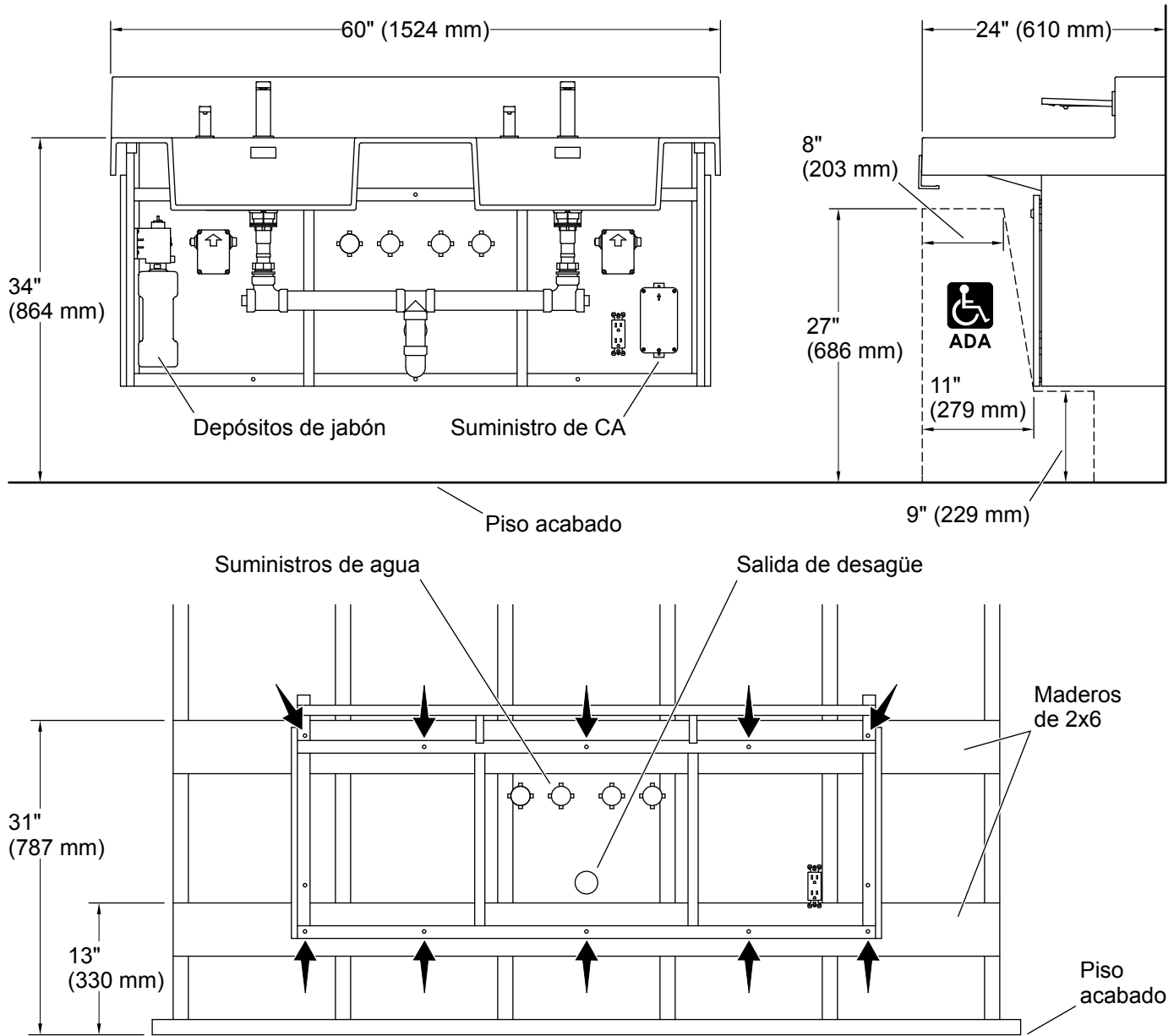
**¡IMPORTANTE!** Al determinar el lugar de instalación, verifique que el recinto no interfiera con los suministros de agua, la salida del desagüe y los tomacorrientes.

Antes de comenzar la instalación, planee la ubicación de todos los componentes necesarios. Para obtener más información, consulte las instrucciones empacadas con el dispensador de jabón y con la grifería.

Para instalar el marco estructural, use soportes de maderos de 2x6 pulgadas entre los postes de madera de la pared. Use las flechas en la ilustración para identificar los lugares para los orificios de montaje en las barras de soporte posterior del marco estructural.

## Diagrama de instalación para un sistema de lavabos de 60 pulgadas

ES

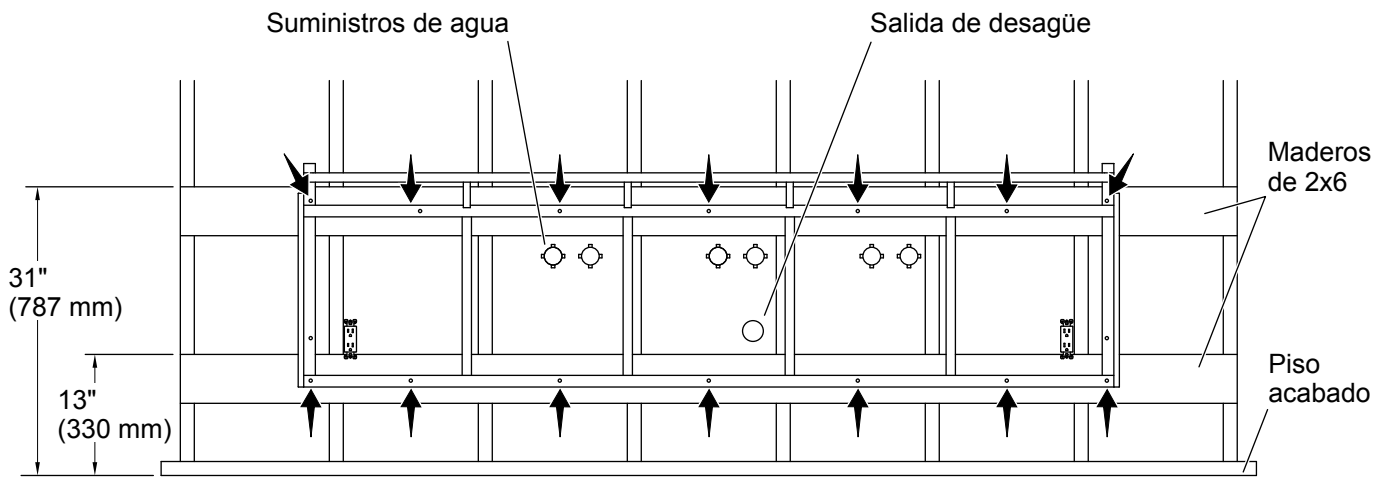
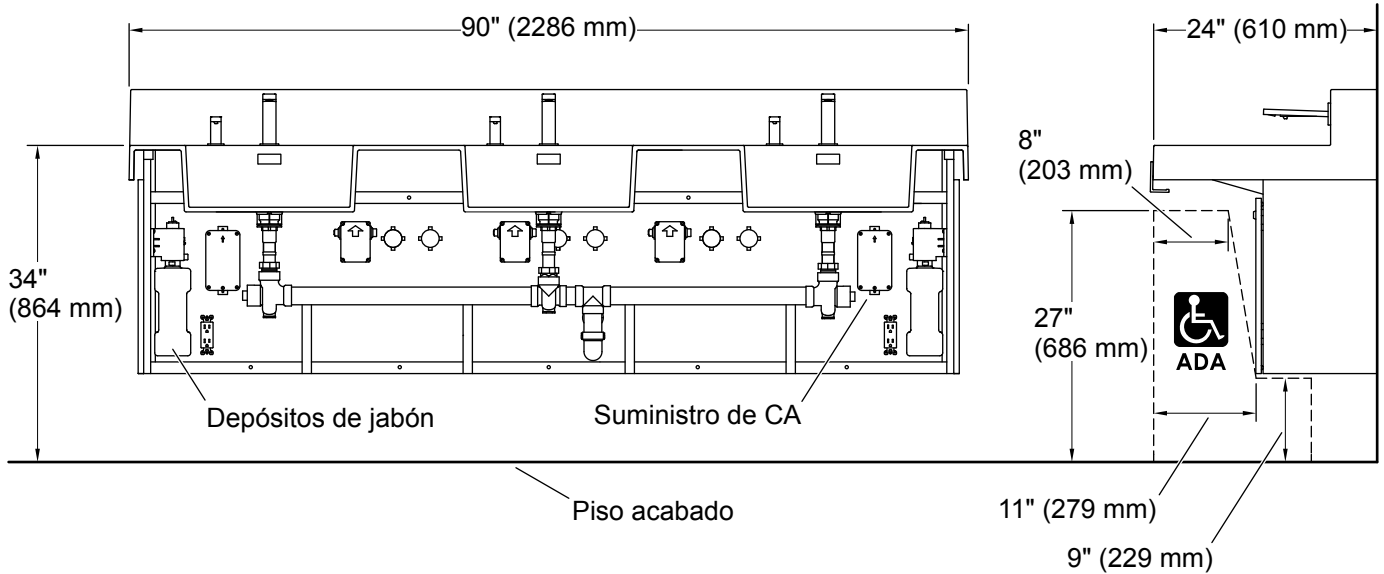


**¡IMPORTANTE!** Al determinar el lugar de instalación, verifique que el recinto no interfiera con los suministros de agua, la salida del desagüe y los tomacorrientes.

Antes de comenzar la instalación, planee la ubicación de todos los componentes necesarios. Para obtener más información, consulte las instrucciones empacadas con el dispensador de jabón y con la grifería.

Para instalar el marco estructural, use soportes de maderos de 2x6 pulgadas entre los postes de madera de la pared. Use las flechas en la ilustración para identificar los lugares para los orificios de montaje en las barras de soporte posterior del marco estructural.

# Diagrama de instalación para un sistema de lavabos de 90 pulgadas



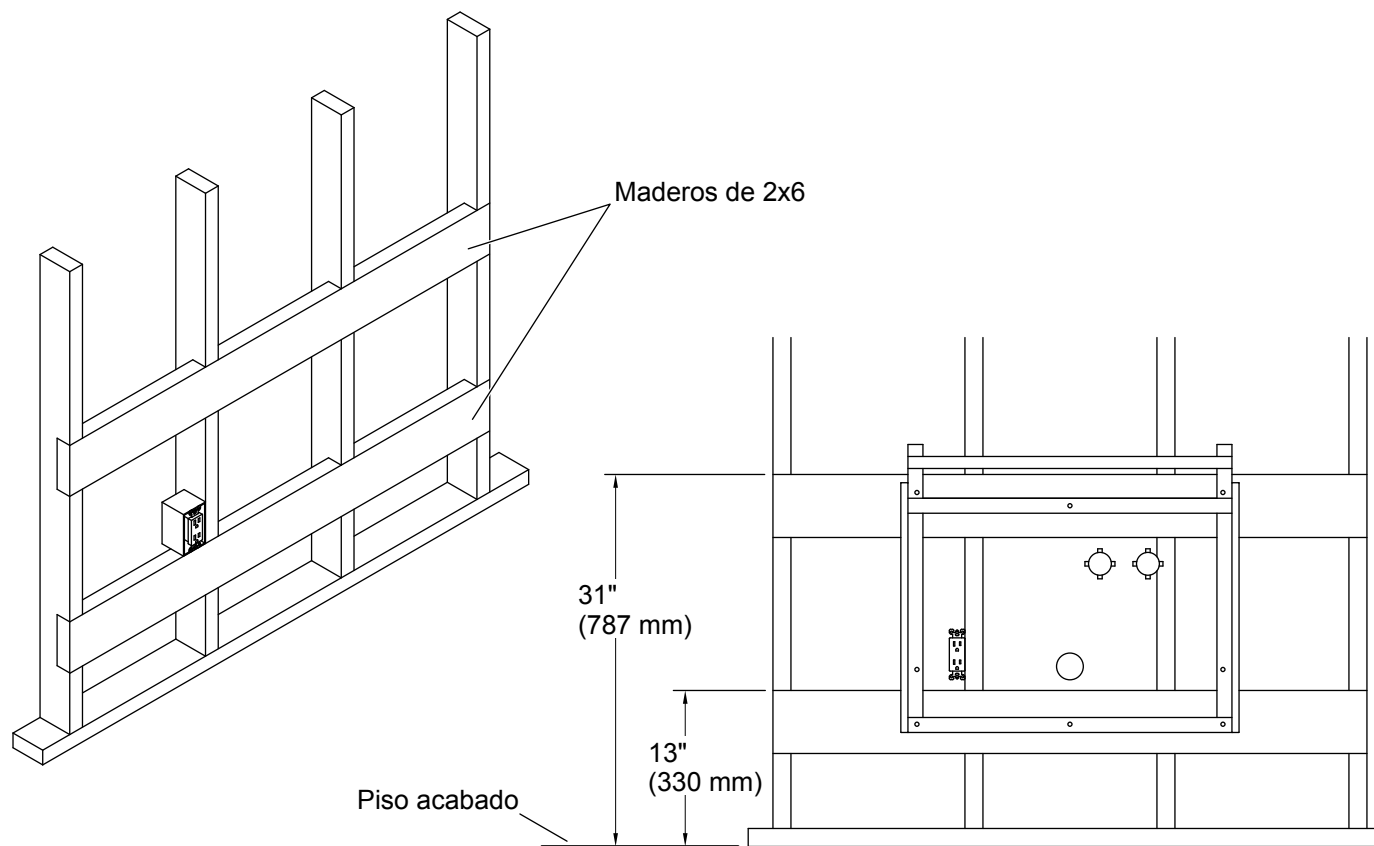
**¡IMPORTANTE!** Al determinar el lugar de instalación, verifique que el recinto no interfiera con los suministros de agua, la salida del desagüe y los tomacorrientes.

Antes de comenzar la instalación, planee la ubicación de todos los componentes necesarios. Para obtener más información, consulte las instrucciones empacadas con el dispensador de jabón y con la grifería.

Para instalar el marco estructural, use soportes de maderos de 2x6 pulgadas entre los postes de madera de la pared. Use las flechas en la ilustración para identificar los lugares para los orificios de montaje en las barras de soporte posterior del marco estructural.

## 1. Prepare el sitio

ES



**⚠ PRECAUCIÓN: Riesgo de daños a la propiedad.** Para soportar correctamente el peso del sistema de lavabos, fíjelo a una estructura de postes de madera o a un refuerzo de maderos de 2x6 pulgadas detrás de la pared acabada.

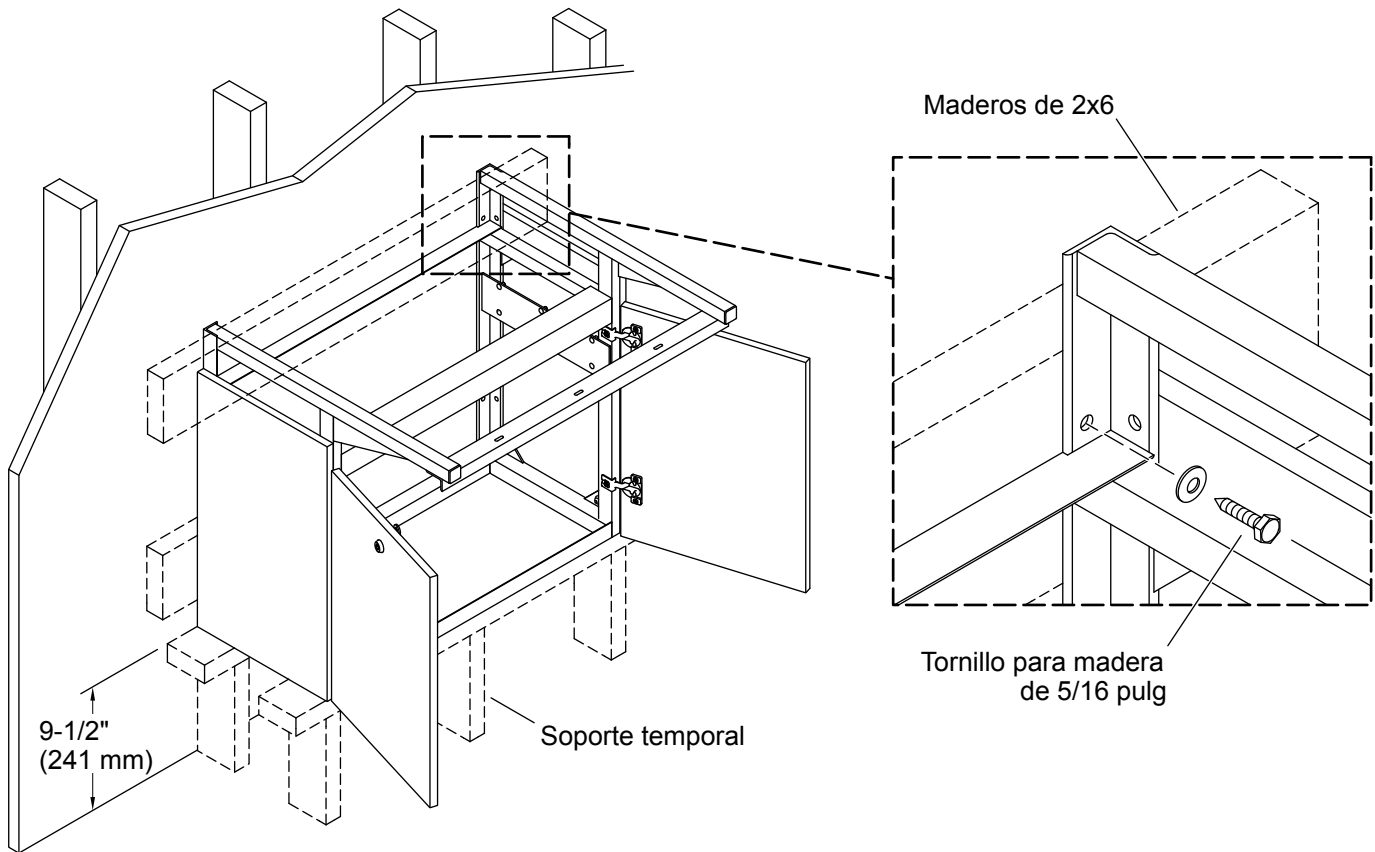
- Verifique que los suministros de agua y que la salida del desagüe estén correctamente ubicados en el lugar de instalación del marco estructural. Consulte el diagrama de instalación para su producto.
- Instale 2 juegos de soportes de maderos de 2x6 pulgadas entre los postes de la pared en el lugar de instalación del marco estructural. Haga muescas en el frente de los postes, de forma que los soportes queden al ras contra los postes. La parte superior del soporte superior debe quedar a 31" (787 mm) del piso acabado. La parte superior del soporte inferior debe quedar a 13" (330 mm) del piso acabado.
- Instale un tomacorriente constante de 120 VCA no conmutado a menos de 5' (1,5 m) de cada suministro de CA para las griferías y los dispensadores de jabón. Consulte el diagrama de instalación para su producto.

**AVISO:** La pared acabada debe estar recta y a plomo, para verificar que el soporte y la alineación sean correctos.

- Aplique el acabado a la pared.



## 2. Instale el recinto

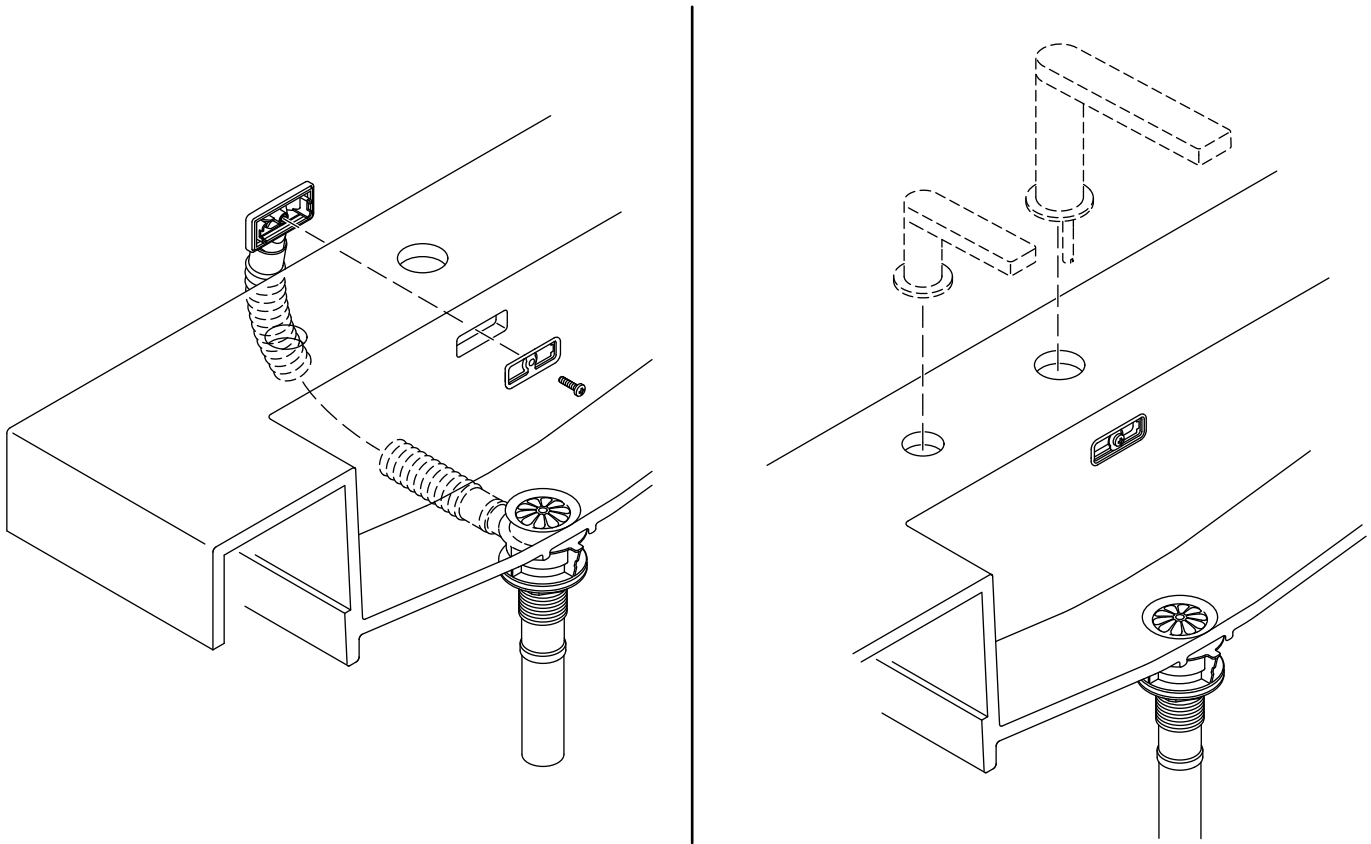


**⚠ PRECAUCIÓN: Riesgo de sufrir lesiones personales o causar daños a la propiedad.** Seleccione tornillos de rosca para madera de 5/16 pulg, que soporten una carga de 500 lb (227 kg) y con la longitud suficiente para librar obstáculos en la pared, y arandelas de 5/16 pulg. Para calcular la longitud apropiada de los pernos de rosca para madera sume lo siguiente: el material de refuerzo de 1-1/2" (38 mm), más el espesor del panel de yeso, más el espesor de la barra de soporte posterior.

- Forme una estructura provisional de soporte a 9-1/2" (241 mm) del piso acabado, que abarque el ancho del recinto.
- Con ayuda, levante y coloque el recinto en su lugar en la estructura de soporte y contra la pared acabada. **No levante el recinto sujetándolo de las patas.**
- Verifique que el recinto quede nivelado y a plomo contra la pared. De ser necesario, coloque cuñas bajo el soporte provisional para ajustar el recinto.
- Para facilitar la instalación, abra las puertas y retire los paneles centrales, si los hay. Consulte la sección "Desmontaje e instalación del panel central (si corresponde)".
- Con una broca de 1/4 pulg, taladre un orificio guía a través de cada uno de los orificios de montaje y hacia dentro de la pared acabada. Consulte los lugares de los orificios de montaje de su producto en el diagrama de instalación.
- Verifique que los orificios penetren en los maderos de 2x6 pulgadas o en algún poste de madera de la pared.
- Fije el recinto con tornillos de rosca para madera de 5/16 pulg y arandelas (no se incluyen). Los tornillos de rosca para madera deben entrar en los refuerzos de maderos de 2x6 pulgadas o en algún poste de madera de la pared.



## 4. Instale el rebosadero y las griferías



**NOTA:** Para facilitar la instalación, coloque el lavabo de lado sobre una superficie protectora (no se muestra) al conectar los componentes.

**NOTA:** Para instalar griferías y dispensadores de jabón, consulte las instrucciones empacadas con los productos.

- Con ayuda, coloque el lavabo de lado sobre una superficie protectora (no se muestra).

### Instale el rebosadero

- Curve el extremo de la tubería del rebosadero hacia arriba para alinearlos con el orificio del rebosadero del lavabo.
- Fije el rebosadero al lavabo con el tornillo que se incluye.
- Modelos de 60 y de 90 pulgadas:** Repita los pasos para conectar rebosaderos adicionales.

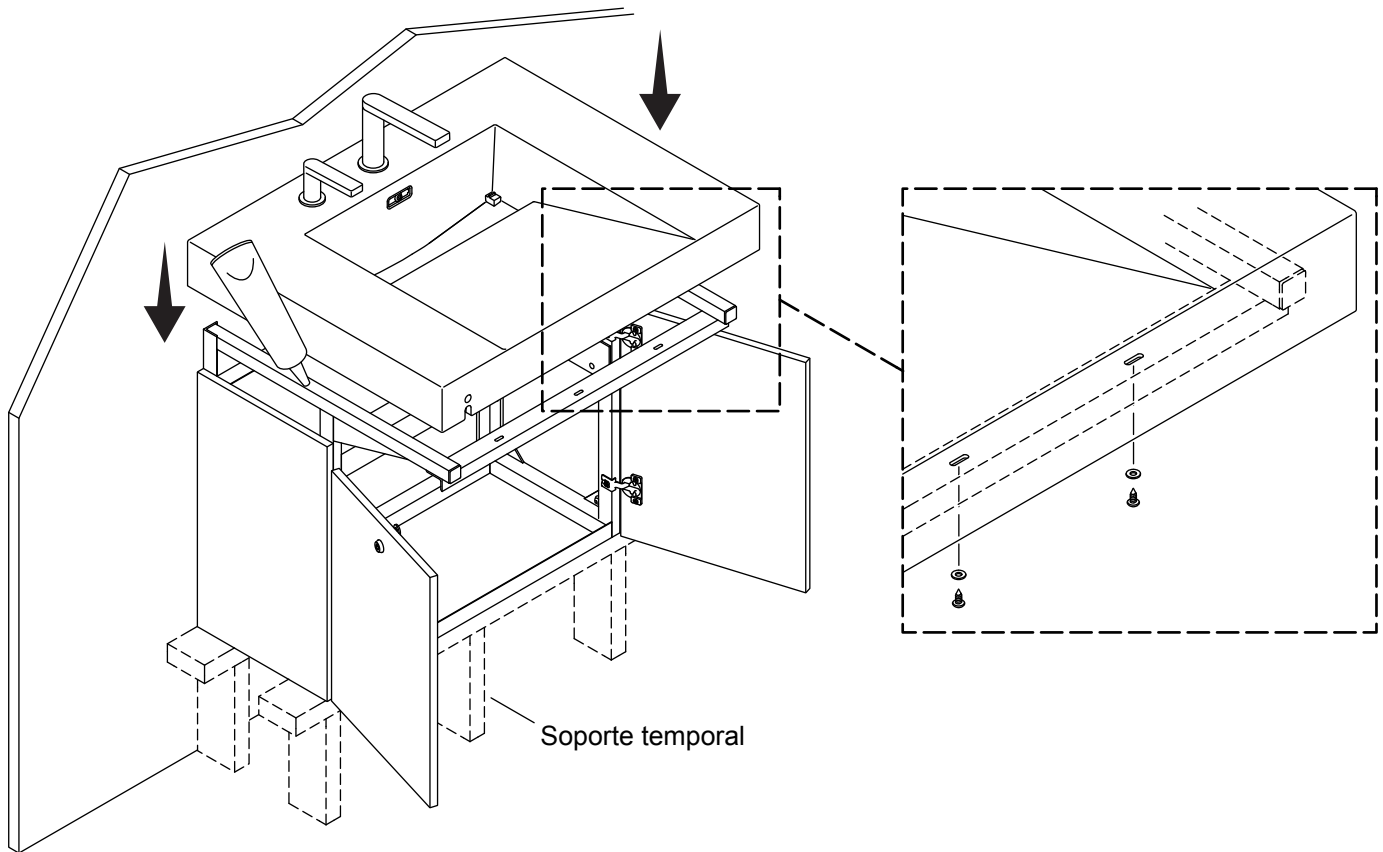
### Instale las griferías

**NOTA:** Conecte el cableado y los componentes de tubería después de que el lavabo sea instalado en el recinto.

**NOTA:** Es posible que su modelo parezca distinto al ilustrado. Se muestran modelos de griferías de montaje en cubierta.

- Ensamble las griferías y los dispensadores de jabón al sistema de lavabos. Consulte las instrucciones empacadas con los productos.
- No haga ninguna conexión de cableado o de tubería en este momento.

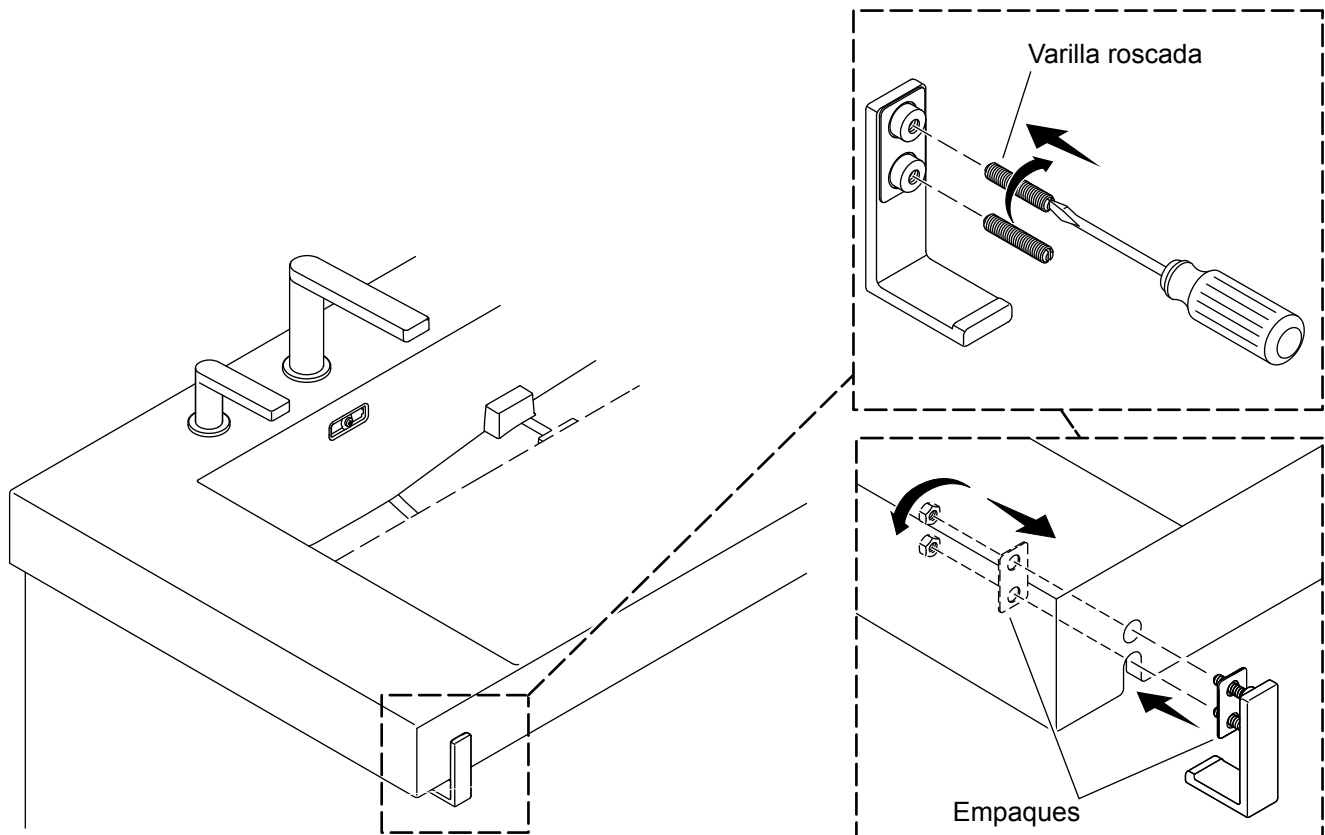
## 5. Instale la cubierta para el lavabo



**NOTA:** Para instalar griferías y dispensadores de jabón, consulte las instrucciones empacadas con los productos.

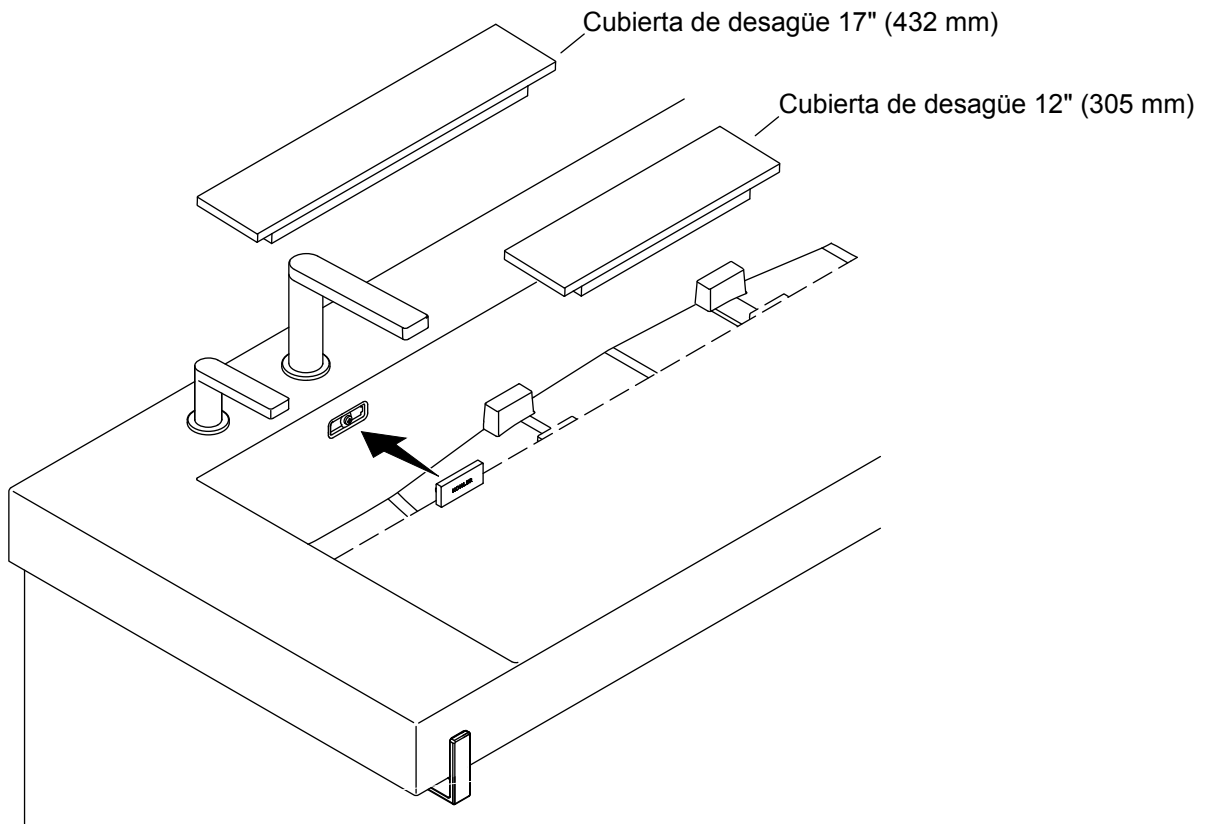
- Instale los componentes de la grifería y del dispensador de jabón dentro del recinto de acuerdo al diagrama de instalación.
- Aplique un hilo continuo de sellador de silicona en la parte superior del recinto.
- Con ayuda y con cuidado levante y coloque la cubierta para el lavabo en el recinto. Evite doblar o dañar los cables, los tubos y otros componentes bajo la cubierta para el lavabo.
- Verifique que la cubierta para el lavabo esté bien colocada en el recinto.
- Verifique que no haya cables ni tubos pellizcados.
- Fije la parte delantera de la cubierta para el lavabo al recinto con los tornillos que se incluyen.
- Conecte los componentes de la grifería y del dispensador de jabón. Consulte las instrucciones empacadas con los productos y haga las conexiones de energía para el "Suministro de salidas múltiples de CA".
- Use tuberías y conexiones de 1-1/2 pulg para completar las conexiones del desagüe. Consulte la información en el diagrama de instalación.
- Abra los suministros de agua. Revise que no haya fugas en ninguna de las conexiones.

## 6. Instale el gancho



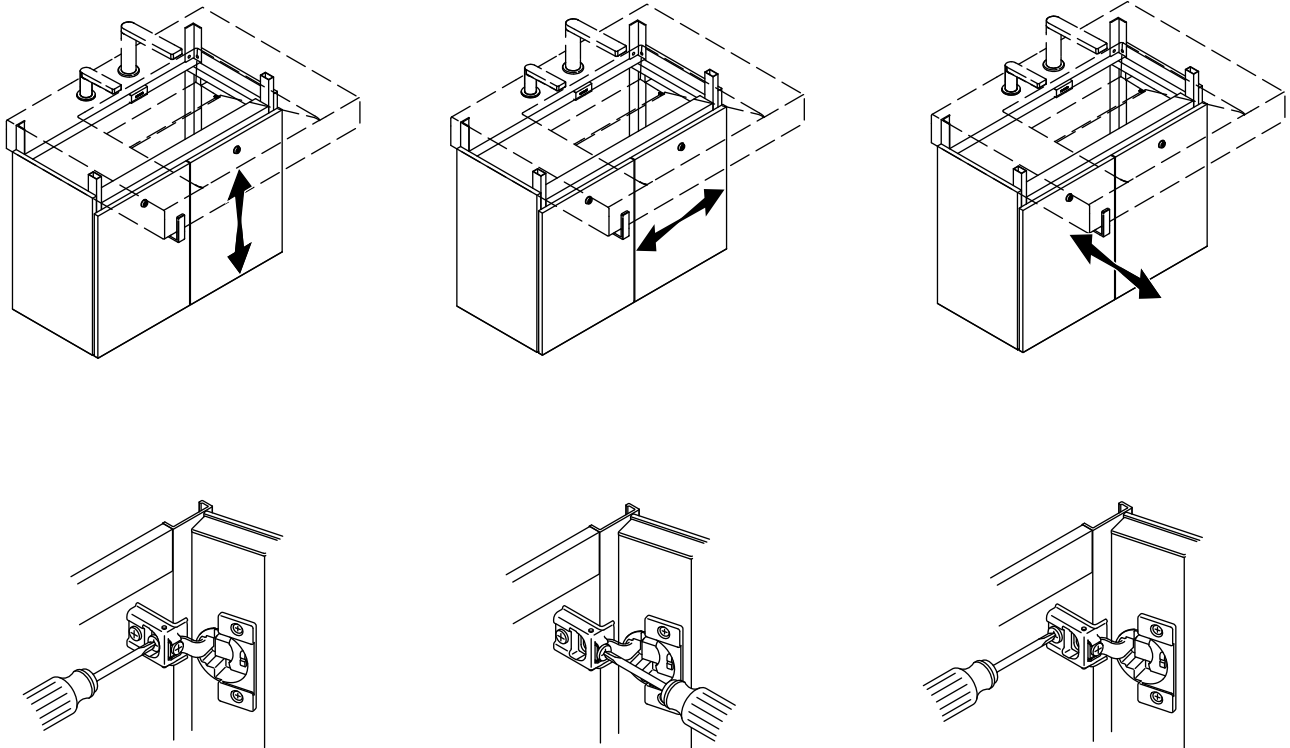
- Instale 2 varillas roscadas en el gancho.
- Ensamble el gancho, los empaques y las tuercas al frente del lavabo.
- Con una llave ajustable, apriete completamente las tuercas.

## 7. Complete la instalación



- Pruebe el funcionamiento de las griferías y de los dispensadores de jabón. Consulte las instrucciones empacadas con los productos.
- Retire y deseche la estructura provisional que soporta el recinto.
- Aplique sellador de silicona a lo largo de las uniones donde el recinto se une a la pared.
- Si corresponde:** Vuelva a instalar los paneles frontales. Fije los paneles a las ménsulas inferiores con las arandelas y los tornillos que retuvo.
- Coloque las cubiertas del desagüe centradas con la tarja o el abrevadero del lavabo. Verifique que las cubiertas descansen contra el parachoques frontal.
- En sistemas de lavabos con cubiertas de desagüe lado a lado:** Primero coloque las cubiertas de desagüe de 17" (432 mm) drain y use las cubiertas de desagüe de 12" (305 mm) para llenar los espacios entre las cubiertas de desagüe de 17" (432 mm). Con una herramienta de extracción de cubiertas del desagüe, deslice con cuidado las cubiertas del desagüe hasta que queden espacios iguales entre ellas.
- Alinee la cubierta del rebosadero sobre la abertura para el mismo, y méntala a presión. Repita con las cubiertas de rebosaderos adicionales.

## Ajuste y desinstalación de puertas



### Ajuste de puertas

- Ponga y quite los seguros de las puertas con las llaves que se incluyen.
- Ajuste las bisagras lo necesario para que las puertas funcionen bien y queden bien alineadas.
- Consulte la ilustración y fíjese dónde debe colocar el destornillador para obtener el ajuste deseado.

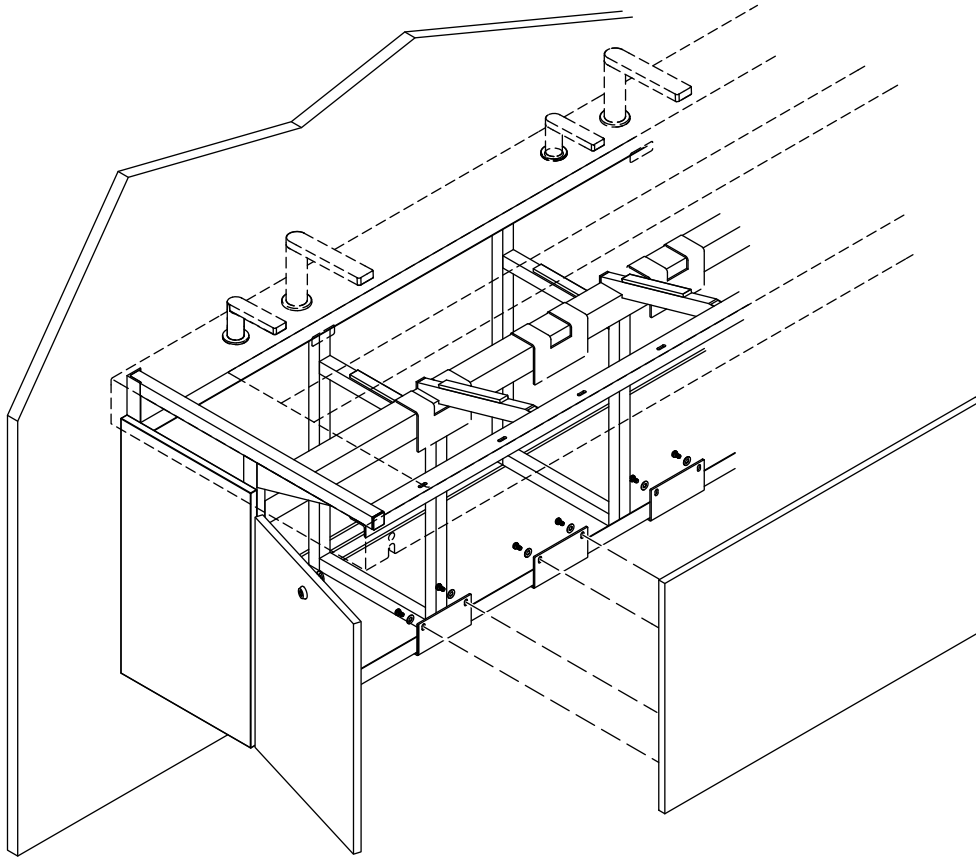
### Desinstalación de una puerta

- Saque los tornillos que sostienen la bisagra a la puerta.

## Desmontaje e instalación del panel central (si corresponde)

---

ES



**NOTA:** Los modelos de 30 pulg no incluyen un panel central.

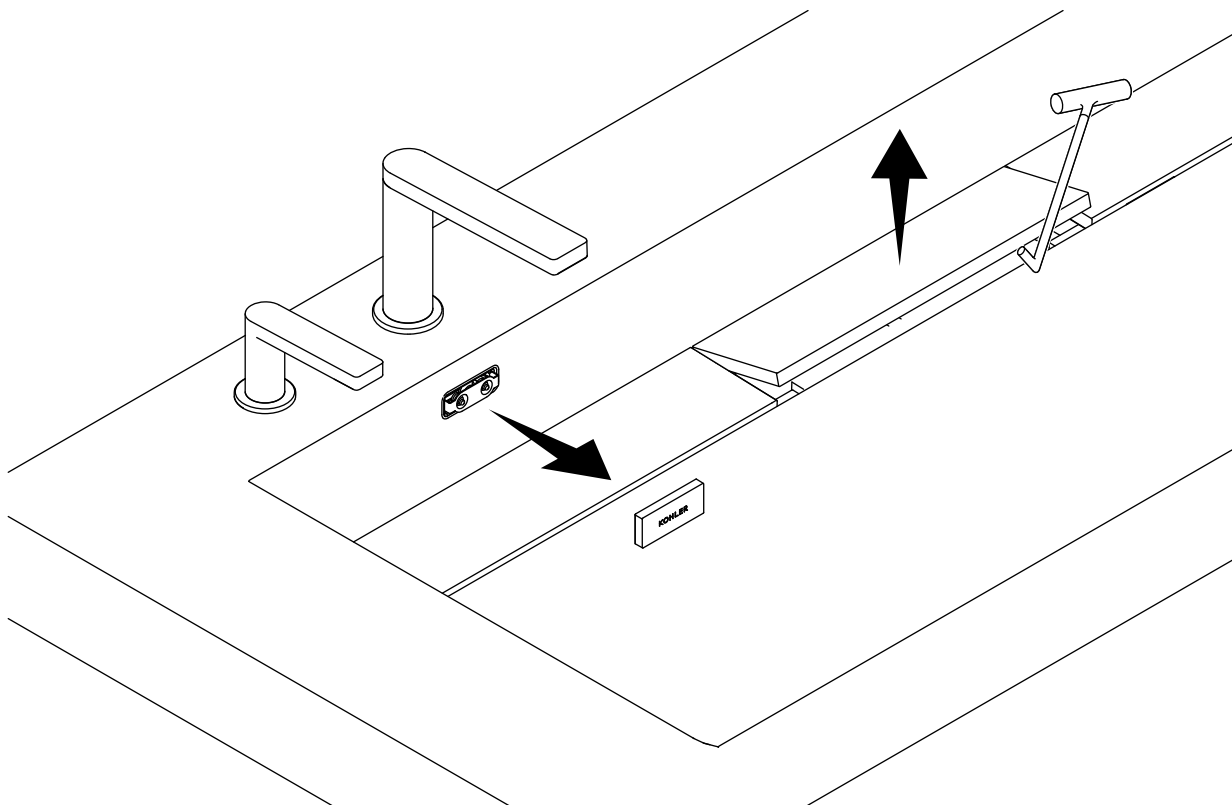
### Desmontaje del panel central

- Saque los tornillos que fijan la parte inferior del panel central al marco estructural. Guarde los tornillos.
- Levante el panel para soltar las ménsulas superiores del marco estructural.
- Jale el panel para alejarlo de la unidad, y almacénelo en un lugar seguro.

### Instalación del panel central

- Enganche las ménsulas superiores al marco estructural.
- Fije la parte inferior del panel a las ménsulas inferiores con los tornillos que retuvo.





### **Limpie el desagüe del rebosadero**

- Retire cuidadosamente la cubierta del desagüe de la abertura del rebosadero.
- Retire todos los desperdicios del tubo del rebosadero.

### **Limpie el desagüe**

- Con la herramienta de extracción de cubiertas del desagüe levante el borde de la cubierta del desagüe.
- Sujete la cubierta del desagüe para retirarla de la tarja o del abrevadero del lavabo.
- Retire todos los desperdicios del desagüe.





[kohler.com](https://www.kohler.com)

THE BOLD LOOK  
OF **KOHLER**®

©2023 Kohler Co.



1524163-2

1524163-2-B