

KOHLER[®] Faucets

Two-handle centerset lavatory faucet, less drain, 0.35 gpm
K-15240-4ATA

Features

- 0.35 gpm (1.3 lpm) maximum flow rate at 60 psi (4.14 bar)
- Vandal-resistant aerator
- 4-7/16" (112 mm) spout reach
- Red/blue indexing on handles
- KOHLER[®] ceramic disc valves exceed industry longevity standards for a lifetime of durable performance
- Plug for lift rod hole
- Less drain and lift rod

Material

- Premium metal construction for durability and reliability
- KOHLER[®] finishes resist corrosion and tarnishing

Installation

- For 4" (102 mm) centers



ADA **CSA B651** **OBC**

Codes/Standards

ASME A112.18.1/CSA B125.1
NSF/ANSI/CAN 372
All applicable US Federal and State material regulations
DOE - Energy Policy Act 1992
California Energy Commission (CEC)
ADA
ICC/ANSI A117.1
CSA B651
OBC

KOHLER[®] One-Year Limited Warranty

See website for detailed warranty information.

Available Colors/Finishes

Color tiles intended for reference only.

Color	Code	Description
	CP	Polished Chrome

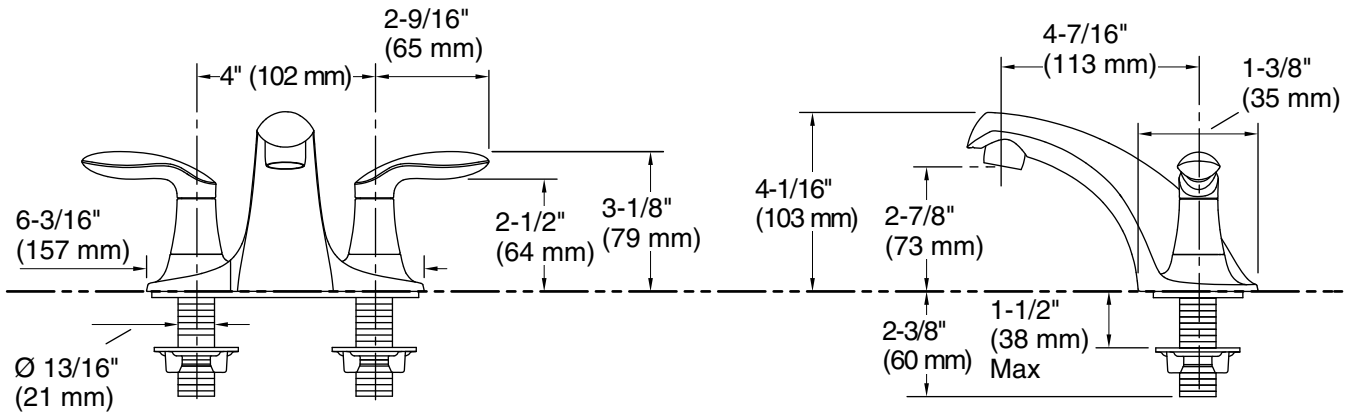
1-800-4KOHLER (1-800-456-4537)

Kohler Co. reserves the right to make revisions without notice to product specifications.

For the most current Specification Sheet, go to www.kohler.com USA or www.kohler.ca Canada

6-15-2024 00:41 - US

THE BOLD LOOK
OF **KOHLER[®]**



Technical Information

All product dimensions are nominal.

Faucet:

Flow rate: 0.35 gal/min (1.3 l/min)

Pressure: 60 psi (4.1 bar)

Drain included: No

Drain with overflow: No

Spout:

Spout reach: 4-7/16" (113 mm)

Notes

Install this product according to the installation instructions.

ADA, OBC, CSA B651 compliant when installed to the specific requirements of these regulations.