

Features

- Flexible connections for easy installation.
- Pop-up drain with lift rod and tailpiece.
- Vertical spray.
- Fixture-mount transfer valve/vacuum breaker.
- Available with plain lever handles.
- Quarter-turn washerless ceramic disc valves.

Material

- Metal construction.
- Brass valve bodies.



Codes/Standards

ASME A112.18.1/CSA B125.1
ASSE 1001

KOHLER® Faucet Lifetime Limited Warranty

See website for detailed warranty information.

Available Colors/Finishes

Color tiles intended for reference only.

| Color | Code | Description |
|-------|------|-------------|
|-------|------|-------------|



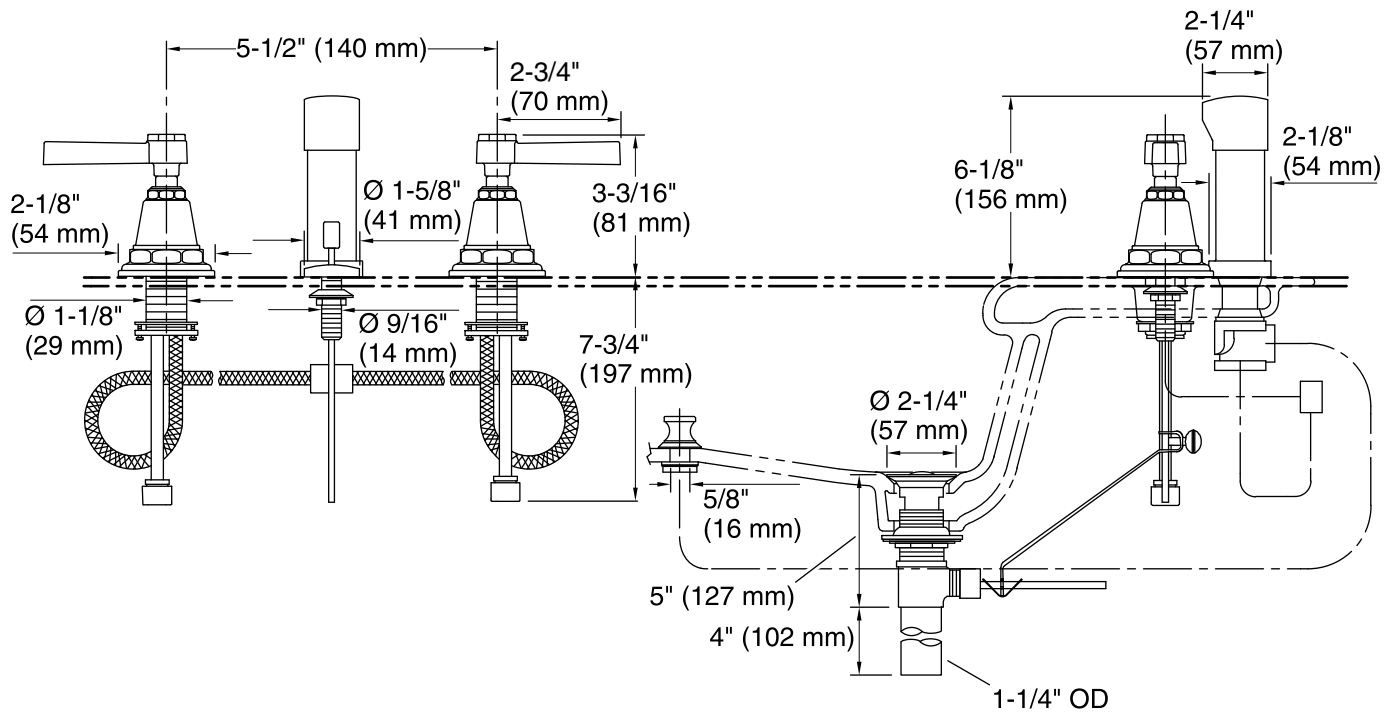
| | |
|----|-----------------|
| CP | Polished Chrome |
|----|-----------------|



| | |
|----|--------------------------|
| SN | Vibrant® Polished Nickel |
|----|--------------------------|



| | |
|----|-------------------------|
| BN | Vibrant® Brushed Nickel |
|----|-------------------------|



Technical Information

All product dimensions are nominal.

Notes

Install this product according to the installation instructions.