

Features

- Constructed of vitreous china
- 20-3/4"L x 18-1/4"W
- Wall-mount installation
- Single-hole drilling
- Includes wall hanger
- Drilled for concealed arm carrier and fixture-supported knee-control fitting

Recommended Products/Accessories

K-1808-P Wall-Mount Sink Brackets
K-8998 P-Trap

Included Components

Additional Components:
Hanger(s) (Qty 2)



ADA CSA B651

Codes/Standards

ASME A112.19.2/CSA B45.1
All applicable US Federal and State material regulations
ADA
ICC/ANSI A117.1
CSA B651

KOHLER® One-Year Limited Warranty

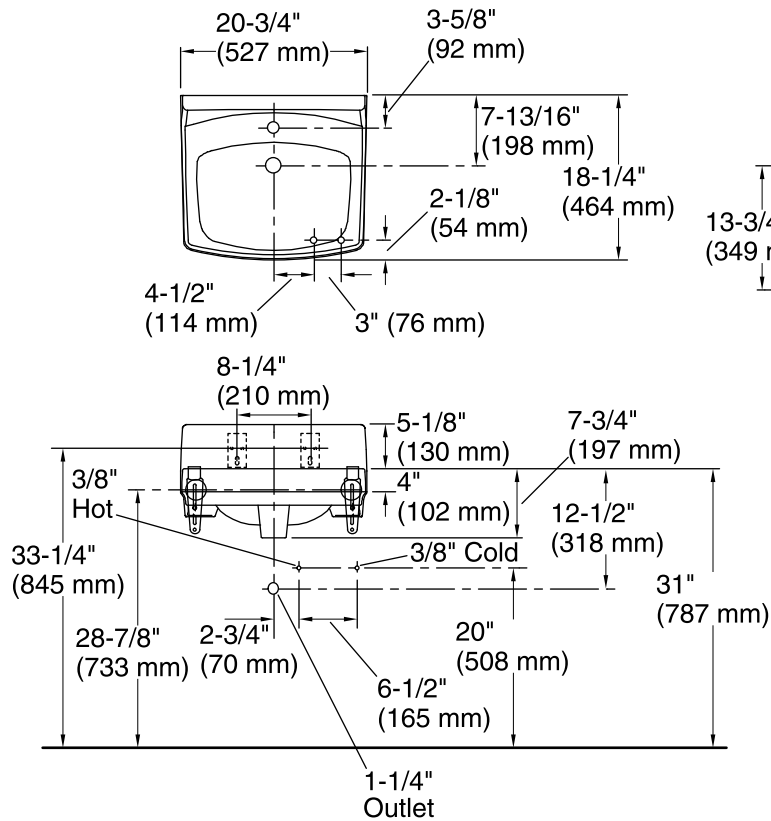
See website for detailed warranty information.

Available Colors/Finishes

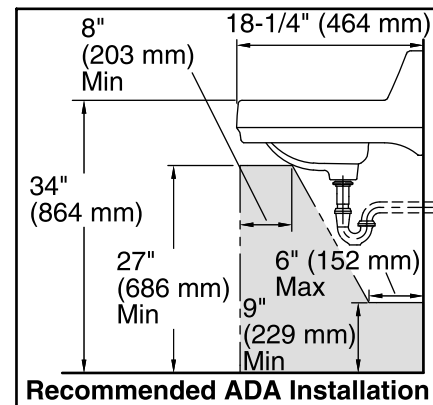
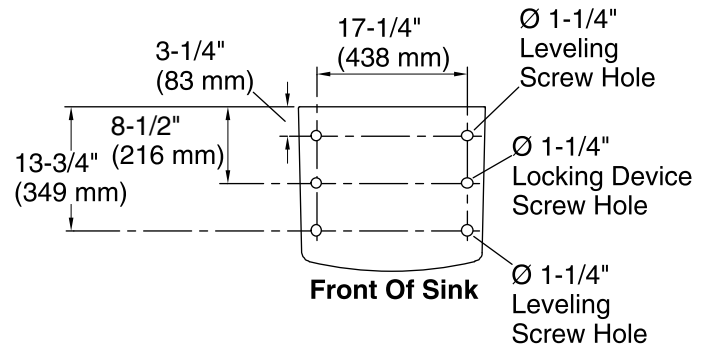
Color tiles intended for reference only.

| Color | Code | Description |
|-------|------|-------------|
|-------|------|-------------|

| | | |
|--|---|-------|
|  | 0 | White |
|--|---|-------|



Concealed Arm Hole Locations



Technical Information

All product dimensions are nominal.

- Bowl configuration: Single
- Installation: Wall-mount
- Bowl area (Only): Length: 15" (381 mm)
Width: 10" (254 mm)
Bowl depth: 7-3/4" (197 mm)
Water depth: 3-1/4" (83 mm)
- Number of deck holes: 1
- Faucet hole(s): 1-3/8" (35 mm)
- Drain hole: 1-3/4" (44 mm)

Notes

Install this product according to the installation instructions.

ADA, CSA B651 compliant when installed to the specific requirements of these regulations.