



### Features

- 72"L x 36"W x 20"H
- Integral apron for easy alcove installation and pump access
- Six adjustable ProFlex® whirlpool jets for maximum bather comfort
- Drop-in or three-wall alcove installation
- Innovative technology enables this pump to provide a strong, steady level of hydro-massage
- Constructed of acrylic
- Includes integral flange to simplify installation and prevent the possibility of water damage behind the wall
- Custom pump locations expand installation and pump access options

### Hydrotherapy

- Whirlpool

### Additional Hydrotherapy Options

- Soaking Bath - 1259-LA
- Soaking Bath + Bask heated surface - 1259-LAW
- BubbleMassage air bath - 1257-GLA
- VibrAcoustic - 1257-VBLA
- VibrAcoustic + Bask heated surface - 1257-VBLAW
- Whirlpool - 1257-LA
- Whirlpool + heater - 1257-HL
- Whirlpool + Bask heated surface - 1257-LAW

### Recommended Products/Accessories

- K-1491 Bath/Whirlpool Pillow
- K-7166-AF Bath Drain
- K-24916 Wireless Music Kit



### Codes/Standards

- ASME A112.19.7/CSA B45.10
- CSA B45.5/IAPMO Z124
- ASTM E162
- ASTM E662
- UL 1795
- Greenguard UL 2818 - Gold






**KOHLER® Plastic Baths and Receptors  
Lifetime Limited Warranty  
KOHLER® Hydrotherapy Components  
Five-Year Limited Warranty**

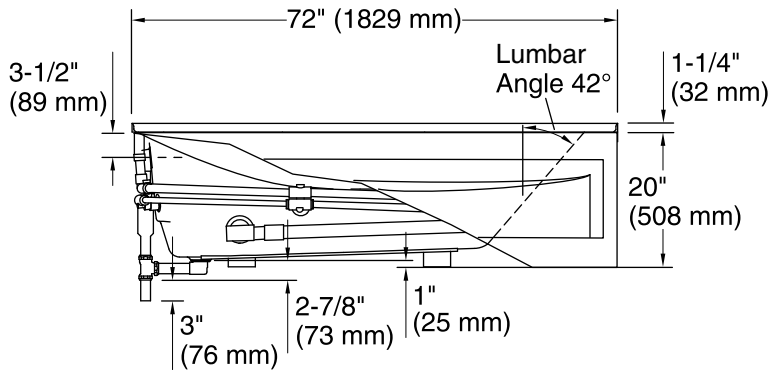
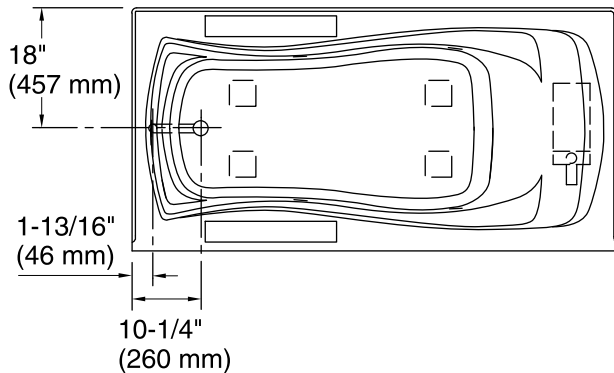
See website for detailed warranty information.

### Available Colors/Finishes

*Color tiles intended for reference only.*

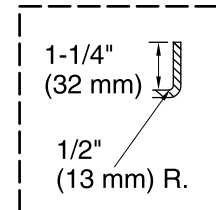
#### Color Code Description

	0	White
	96	Biscuit
	47	Almond
	NY	Dune
	G9	Sandbar

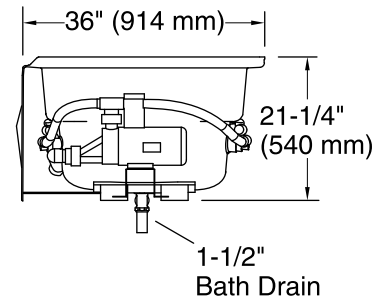


No change in measurements if connected with drain illustrated. (K-11677)

 Recommended Faucet Location



**Integral Flange Detail**



### Required Electrical Service

One dedicated circuit required, protected with Class A Ground-Fault Circuit-Interrupter (GFCI). Outside North America, this device may be known as a Residual Current Device (RCD).

Pump: 120 V, 15 A, 60 Hz

### Technical Information

All product dimensions are nominal.

Installation: Three-wall alcove  
 Drain location: Left  
 Basin area, bottom: 50" x 24" (1270 mm x 610 mm)  
 Basin area, top: 65" x 27" (1651 mm x 686 mm)  
 Weight: 110 lbs (49.9 kg)  
 Minimum floor load: 41 lbs/ft<sup>2</sup> (200.2 kg/m<sup>2</sup>)  
 Water depth: 14" (356 mm)  
 Water capacity: 72 gal (272.5 L)  
 Electrical component Pump: 120 V, 7.5 A, 60 Hz rating:  
 Pump speed: Single  
 Minimum flat for door: 2-1/8" (54 mm)

### Notes

Measure your actual product for rough-in details. Install this product according to the installation instructions.

The hot water supply should be 70% of the capacity of the bath or greater. Installations will vary.

Provide one grounded electrical outlet within 24" (610 mm) of each component.

If installing a rim-mount faucet, make sure there is no interference above or below the deck before drilling any holes.