

### Features

- 120 airjets release thousands of heated bubbles that surround and support the body in a warm massage.
- Variable-speed blower lets you adjust massage intensity to 18 levels.
- Heated BubbleMassage™ includes 60-minute automatic shutoff timer.
- Electronic keypad control.
- Hourglass shape adds style and elegance to your bathroom.
- Bottom surface manufactured with textured appearance.
- Automatic and manual purge cycles remove residual water from air channels after use to keep the system clean.

### Material

- Acrylic.

### Technology

- Heated BubbleMassage™ technology warms and humidifies air before it enters the bath.

### Installation

- Reversible drain.

### Recommended Products/Accessories

- K-1283 Removable Apron
- K-1446 Remote Installation Kit
- K-1491 Bath/Whirlpool Pillow
- K-1601 Bath/Whirlpool Footstop
- K-24916 Wireless Music Kit
- K-23726 Drain treatment
- K-23732 Tub & shower cleaner
- K-37380 30" Rough-in Cable Bath Drain
- K-37383 Rough-in cable bath drain, PVC, 30" cable with tubing
- K-7265 Brass toe tap bath drain
- K-37386 rough-in cable drain, PVC, 30" cable



### Codes/Standards

ASME A112.19.7/CSA B45.10  
CSA B45.5/IAPMO Z124  
ASTM E162  
ASTM E662  
UL 1795




**KOHLER® Hydrotherapy Components  
Five-Year Limited Warranty  
KOHLER® Plastic Baths and Receptors  
Lifetime Limited Warranty**

See website for detailed warranty information.

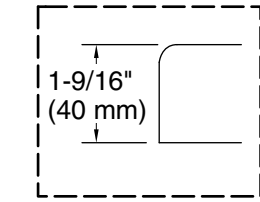
### Available Colors/Finishes

*Color tiles intended for reference only.*

Color	Code	Description
-------	------	-------------

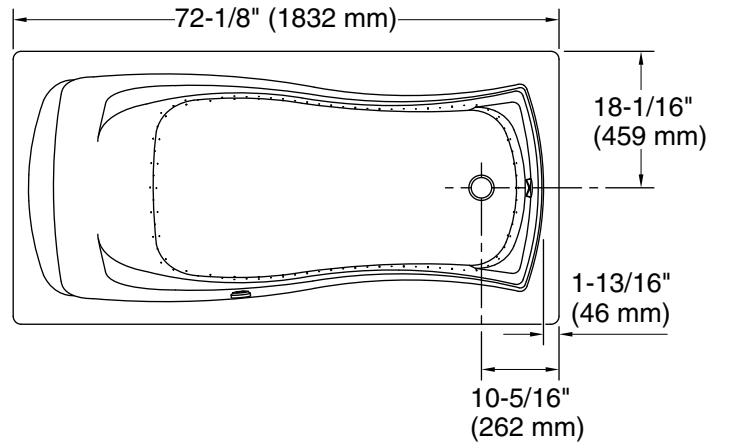
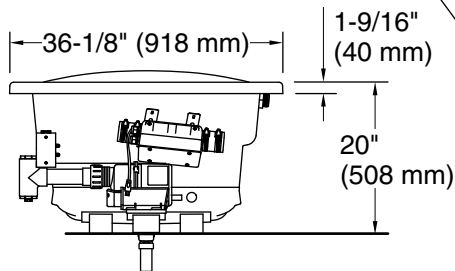
	0	White
	96	Biscuit
	NY	Dune

No change in measurements if connected with drain illustrated. (K-7272)

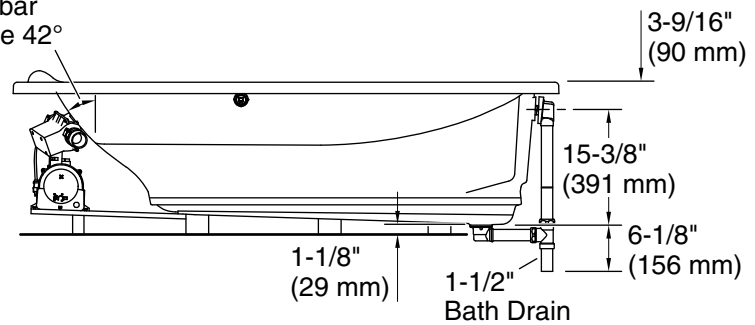


**Drop-in Rim Detail**

Blower Motor Access  
20" (508 mm) W x 15" (381 mm) H Min



Lumbar  
Angle 42°



### Required Electrical Service

Two dedicated circuits required, protected with Class A Ground-Fault Circuit-Interrupter (GFCI). Outside North America, this device may be known as a Residual Current Device (RCD).

Blower: 120 V, 15 A, 60 Hz  
Air bath: 120 V, 15 A, 60 Hz

### Technical Information

All product dimensions are nominal.

Installation: Drop-in  
Drain location: End  
Basin area, bottom: 47-7/16" x 20-5/8" (1205 mm x 525 mm)  
Basin area, top: 64-15/16" x 25-1/16" (1649 mm x 636 mm)  
Weight: 108 lbs (49 kg)  
Minimum floor load: 41 lbs/ft<sup>2</sup> (200.2 kg/m<sup>2</sup>)  
Water depth: 13-3/8" (340 mm)  
Water capacity: 72 gal (272.5 L)  
Cutout: Drop-in, 70" x 34" (1778 mm x 864 mm)  
Electrical component rating: Blower: 120 V, 10 A, 60 Hz  
Air bath: 120 V, 5 A, 60 Hz

### Notes

Measure your actual product for rough-in details. Install this product according to the installation instructions.

The hot water supply should be 70% of the capacity of the bath or greater. Installations will vary.

Remote blower installation kit K-1446 is available for relocating the blower. Provide access for servicing the blower.

Do not relocate or alter the PVC tee or coiled flexible tubing connected to the blower. Follow the blower relocation instructions exactly.