



Features

- 60"L x 36"W x 20"H
- A builder favorite designed for quick and easy installation
- Three-wall alcove installation
- Designed for one-person bathing
- Constructed of acrylic
- Includes integral apron and flange to simplify installation
- Textured bottom surface

Additional Hydrotherapy Options

- Soaking Bath - K-1242-LA
- Soaking Bath + Bask heated surface - K-1242-LAW
- BubbleMassage air bath - K-1239-GLA
- BubbleMassage air bath + Bask heated surface - K-1239-GLAW
- VibrAcoustic - K-1239-VBLA
- VibrAcoustic + Bask heated surface - K-1239-VBLAW
- Whirlpool - K-1239-LA
- Whirlpool + heater - K-1239-HL
- Whirlpool + Bask heated surface - K-1239-LAW

Recommended Products/Accessories

- K-7161-AF Bath Drain
- K-37380 30" Rough-in Cable Bath Drain
- K-37383 30" Rough-in Cable Bath Drain
- K-37386 rough-in cable drain, PVC, 30" cable



Codes/Standards






CSA B45.5/IAPMO Z124
ASTM E162
ASTM E662
Greenguard UL 2818 - Gold

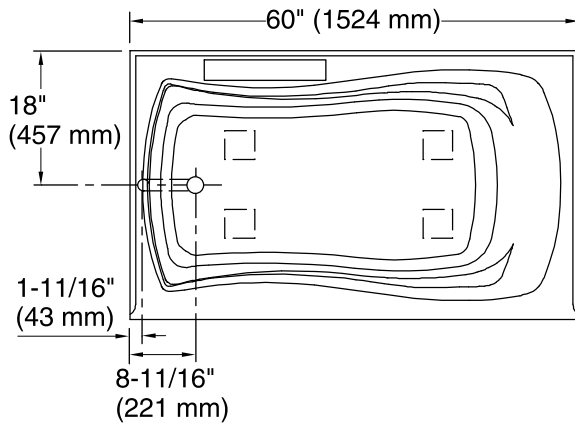
KOHLER® Plastic Baths and Receptors Lifetime Limited Warranty

See website for detailed warranty information.

Available Colors/Finishes

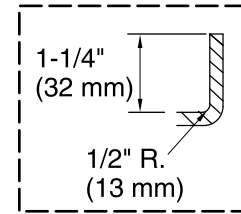
Color tiles intended for reference only.

| Color | Code | Description |
|--|------|-------------|
|  | 0 | White |
|  | 96 | Biscuit |
|  | 47 | Almond |
|  | NY | Dune |
|  | G9 | Sandbar |

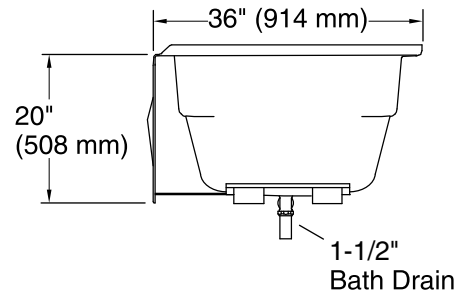
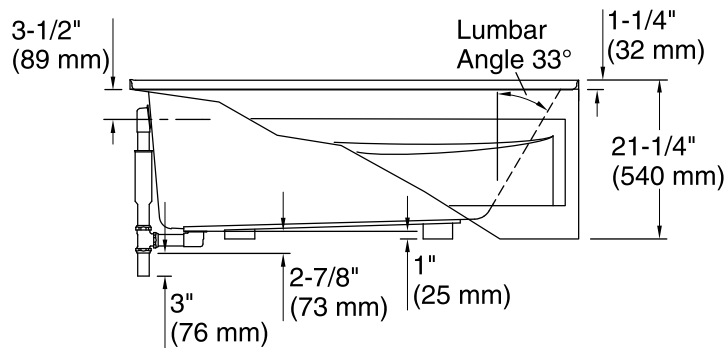


No changes in measurements if connected with drain illustrated. (K-7161-AF)

 Recommended Faucet Location



Flange Detail



Technical Information

All product dimensions are nominal.

| | |
|------------------------|---|
| Installation: | Three-wall alcove |
| Drain location: | Left |
| Basin area, bottom: | 46" x 24" (1168 mm x 610 mm) |
| Basin area, top: | 54" x 27" (1372 mm x 686 mm) |
| Weight: | 62 lbs (28.1 kg) |
| Minimum floor load: | 41 lbs/ft ² (200.2 kg/m ²) |
| Water depth: | 14" (356 mm) |
| Water capacity: | 63 gal (238.5 L) |
| Minimum flat for door: | 2" (50 mm) |

Notes

Measure your actual product for rough-in details. Install this product according to the installation instructions.

The hot water supply should be 70% of the capacity of the bath or greater. Installations will vary.

If installing a rim-mount faucet, make sure there is no interference above or below the deck before drilling any holes.