



Features

- 66"L x 35-7/8"W x 20"H
- Removable apron for front pump access option
- Five adjustable ProFlex® whirlpool jets for maximum bather comfort
- Three-wall alcove installation
- Innovative technology enables this pump to provide a strong, steady level of hydro-massage
- Constructed of acrylic
- Includes integral flange to simplify installation and prevent the possibility of water damage behind the wall
- Textured bottom surface

Hydrotherapy

- Whirlpool

Additional Hydrotherapy Options

- Soaking Bath - 1229-L
- Soaking Bath + Bask heated surface - 1229-LW
- BubbleMassage air bath - 1224-GLF
- VibrAcoustic - 1224-VBL
- VibrAcoustic + Bask heated surface - 1224-VBLW
- Whirlpool - 1224-L
- Whirlpool + heater - 1224-LH
- Whirlpool + Bask heated surface - 1224-LW

Recommended Products/Accessories

- K-1234 Removable Apron
- K-7161-AF Bath Drain
- K-24916 Wireless Music Kit
- K-1601 Bath/Whirlpool Footstop
- K-7213 27" Cable Bath Drain
- K-7214 27" Cable Bath Drain
- K-37380 30" Rough-in Cable Bath Drain
- K-37383 30" Rough-in Cable Bath Drain
- K-7166-AF Bath Drain



Codes/Standards

- ASME A112.19.7/CSA B45.10
- CSA B45.5/IAPMO Z124
- ASTM E162
- ASTM E662
- UL 1795
- Greenguard UL 2818 - Gold

**KOHLER® Plastic Baths and Receptors
Lifetime Limited Warranty
KOHLER® Hydrotherapy Components
Five-Year Limited Warranty**

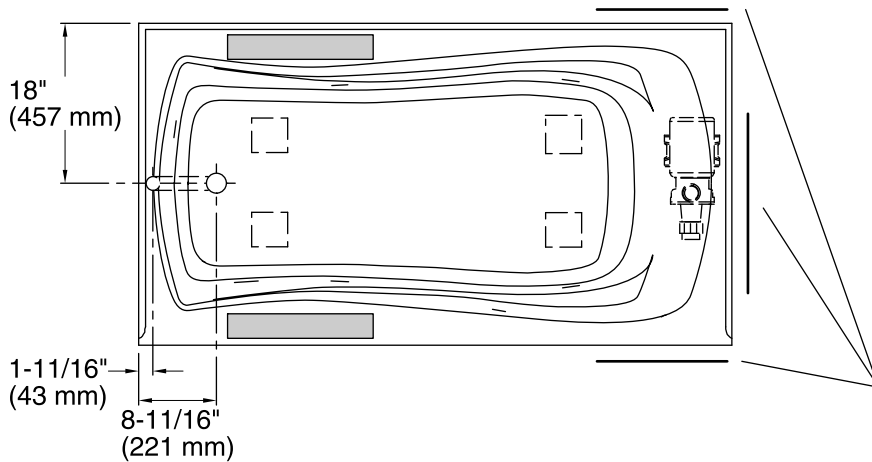
See website for detailed warranty information.

Available Colors/Finishes

Color tiles intended for reference only.

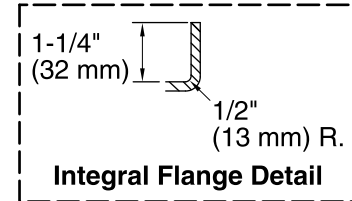
Color Code Description

Color	Code	Description
	0	White
	96	Biscuit
	47	Almond
	NY	Dune
	G9	Sandbar

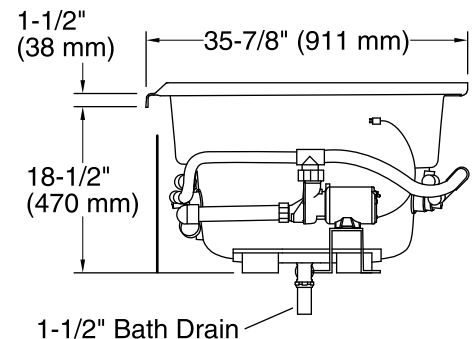
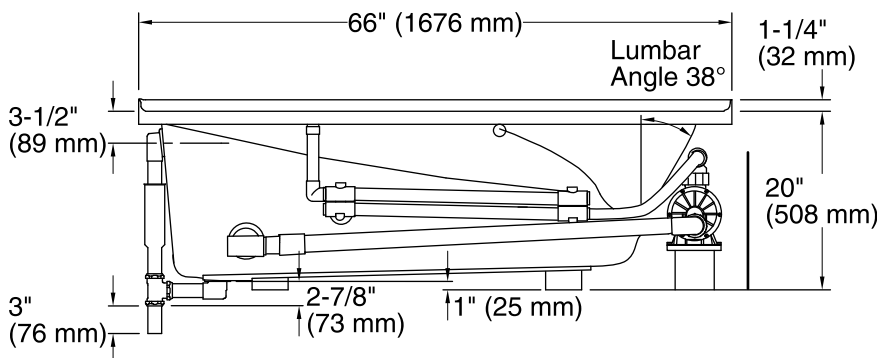


No change in measurements if connected with drain illustrated. (K-7161-AF)

Recommended Faucet Area



Pump/Control Access
(If Apron Is Not Used)
20" (508 mm) W x 15" (381 mm) H



Required Electrical Service

One dedicated circuit required, protected with Class A Ground-Fault Circuit-Interrupter (GFCI). Outside North America, this device may be known as a Residual Current Device (RCD).

Pump: 120 V, 15 A, 60 Hz

Technical Information

All product dimensions are nominal.

Installation: Three-wall alcove
Drain location: Left
Basin area, bottom: 48" x 24" (1219 mm x 610 mm)
Basin area, top: 59" x 30" (1499 mm x 762 mm)
Weight: 110 lbs (49.9 kg)
Minimum floor load: 48 lbs/ft² (234.4 kg/m²)
Water depth: 14" (356 mm)
Water capacity: 67 gal (253.6 L)
Electrical component rating: Pump: 120 V, 7.5 A, 60 Hz
Pump speed: Single
Minimum flat for door: 1-15/16" (49 mm)

Notes

Measure your actual product for rough-in details. Install this product according to the installation instructions.

The hot water supply should be 70% of the capacity of the bath or greater. Installations will vary.

Provide one grounded electrical outlet within 24" (610 mm) of each component.

The apron (if used) must be installed before the finished floor and wall materials are installed.