



Features

- 11 effervescence ports deliver gentle, caressing bubbles.
- Variable-speed pump.
- Built-in heater.
- Remote control.
- Overflow channel for deep soak and unique infinity pool effect.

Material

- Acrylic

Hydrotherapy

- Effervescence

Installation

- Drop-in

Required Products/Accessories

K-7193 Bath Drain

Recommended Products/Accessories

K-1601 Bath/Whirlpool Footstop

K-923 Wall- Or -Ceiling-Mount Bath Filler

K-18486-4 Roman Bath Filler



Codes/Standards

ASME A112.19.7/CSA B45.10

CSA B45.5/IAPMO Z124

ASTM E162

ASTM E662

UL 1795

CSA C22.2 No. 218.2

Greenguard UL 2818 - Gold

KOHLER® Plastic Baths and Receptors Lifetime Limited Warranty



KOHLER® Hydrotherapy Components Five-Year Limited Warranty

See website for detailed warranty information.

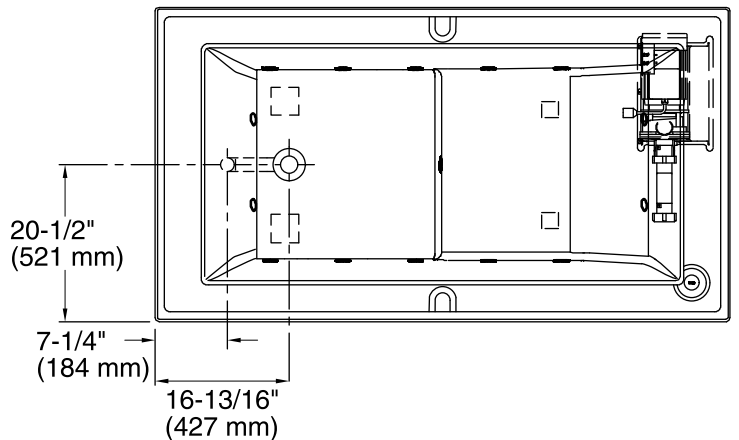
Available Colors/Finishes

Color tiles intended for reference only.

Color Code Description

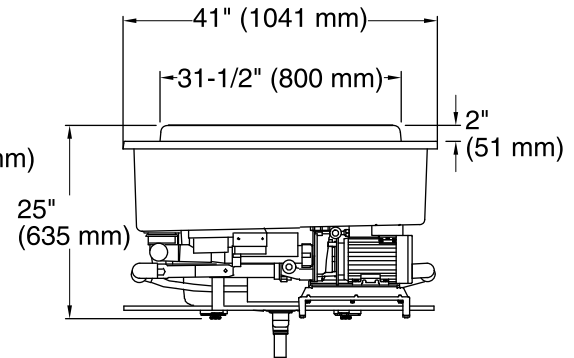
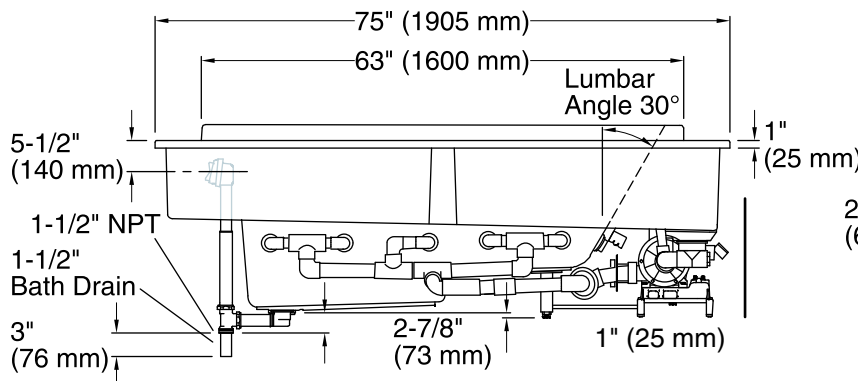
	0	White
	96	Biscuit

Overflowing Effervescence Bath K-1189-RE



No change in measurements if connected with drain illustrated. (K-7193)

Pump/Control Access
15" (381 mm) H x 40" (1016 mm) W Min



Required Electrical Service

Two dedicated circuits required, protected with Class A Ground-Fault Circuit-Interrupter (GFCI). Outside North America, this device may be known as a Residual Current Device (RCD).

Pump: 240 V, 20 A, 50/60 Hz
Heater: 240 V, 20 A, 50/60 Hz

Technical Information

All product dimensions are nominal.

Installation: Drop-in
Drain location: Left
Basin area, bottom: 45" x 25-1/2" (1143 mm x 648 mm)
Basin area, top: 61-1/2" x 30-1/4" (1562 mm x 768 mm)
Weight: 275 lbs (124.7 kg)
Minimum floor load: 65 lbs/ft² (317.4 kg/m²)
Water depth: 23-1/2" (597 mm)
Water capacity: 142 gal (537.5 L)
Cutout: Drop-in, 73-1/2" x 39-1/2" (1867 mm x 1003 mm)
Electrical component rating: Pump: 240 V, 17 A, 50/60 Hz
Heater: 240 V, 17 A, 50/60 Hz, 4000 W
Pump speed: Variable

Notes

Measure your actual product for rough-in details. Install this product according to the installation instructions.

The hot water supply should be 70% of the capacity of the bath or greater. Installations will vary.

Consult local and national codes for minimum air gap requirements when installing a spout on the faucet deck.

Unit must be filled through the bathing well.