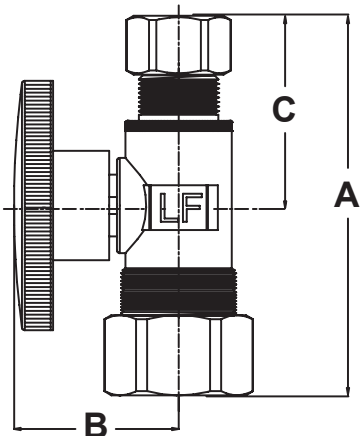




**WATER SUPPLY QUARTER TURN BRASS BALL VALVE,  
COMPRESSION X COMPRESSION STRAIGHT STYLE  
PLUMBING PRODUCT SPECIFICATION**



**Handle style**

INSTALLATION MEASUREMENTS					
PART NO.	INLET	OUTLET	A	B	C
2041PCLF	5/8 OD Coarse Thread	3/8 OD Comp	2 3/8	1	1 1/4
2042PCLF	5/8 OD Coarse Thread	7/16-1/2 OD Comp	2 3/8	1	1 1/4
2068PCLF	5/8 OD 1/2 Nom Copper	3/8 OD Comp	2 5/16	1	1 3/16
2069PCLF	5/8 OD 1/2 Nom Copper	1/2 OD Comp	2 5/16	1	1 3/16
2070PCLF	5/8 OD 1/2 Nom Copper	7/16-1/2 OD Slip Jt	2 3/8	1	1 1/4
2071PCLF	3/8 OD Comp	3/8 OD Comp	2 1/4	1	1
2102PCLF	1/2 OD 3/8 Nom Copper	3/8 OD Comp	2 1/2	1	1 3/16

**DESCRIPTION**

Water supply stop valve with quarter turn brass ball. Used for faucet, water cooler, refrigerator, dishwasher, and instantaneous hot water dispenser. Constructed of high copper content brass body, brass stem, crack resistant brass nuts, brass ferrule, handle or loose key for public access fixtures.

**INCLUDES:**

- Heavy duty chromium finish
- Hi-tech teflon seats prevent seizing
- Double "O" ring seal on stem connection with brass ball valve
- Factory testing to ensure leak free performance

**INDUSTRY APPROVALS**

- UPC/IAPMO
- ANSI/NSF 61 Lead Free
- Mass Code

Listing of parts approved for specific codes available. See Keeney contact information below.

SPECIFIER APPROVAL	
Job Name _____	Date _____
Model _____	Qty _____
Wholesaler _____	
Contractor _____	
Architect _____	

**FOR MORE INFORMATION CALL 1-800-243-0526  
OR E-MAIL NCS@UPT.COM**

THE KEENEY MANUFACTURING COMPANY

[www.keeneymfg.com](http://www.keeneymfg.com)

**PART # SUFFIX DESIGNATIONS**

PC - Polished finish      LF - Lead free

*Keeney Representative  
Stamp or Label Here*