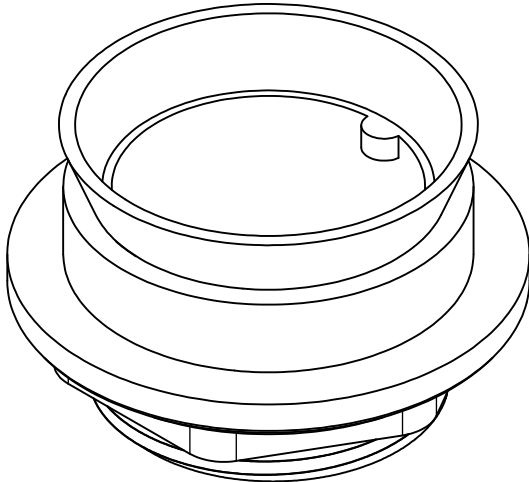
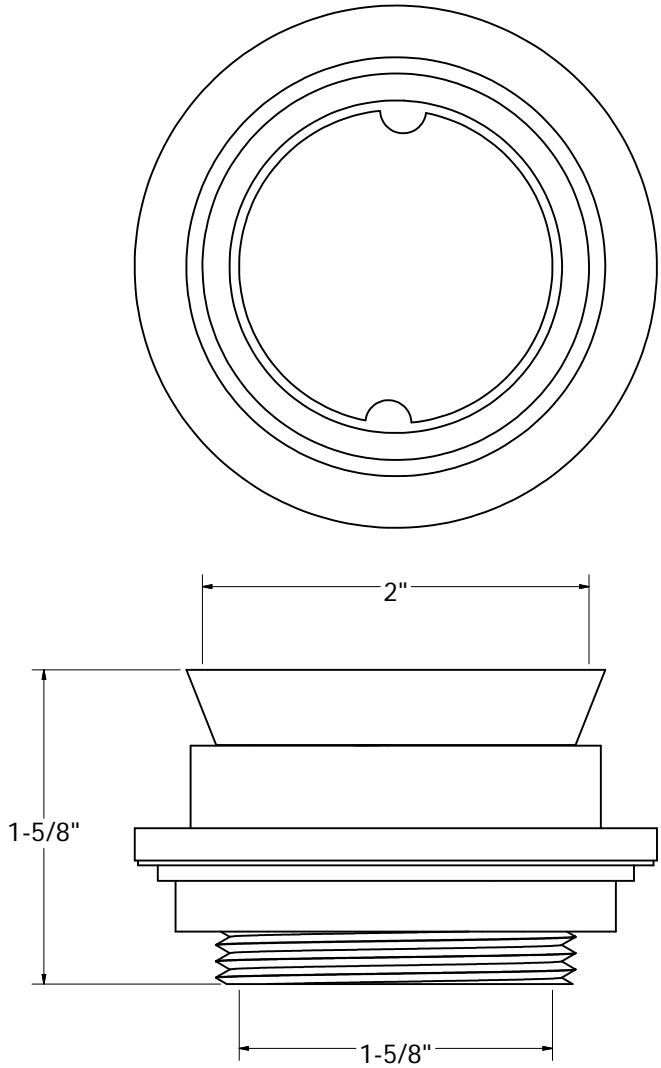


URINAL SPUDS



PHONE NUMBER
1-800-355-6637
 FAX NUMBER
1-800-462-6991
 SCALE 2 : 1 DATE 5-09-13
 SHEET
1 OF 1
 DRAWN BY
ASHLEY KRALOVEC

PART NO.	C27125	C27150	C27200
DESCRIPTION	1-1/4"	1-1/2"	2"
STN/MSTR	25/100	25/100	25/75