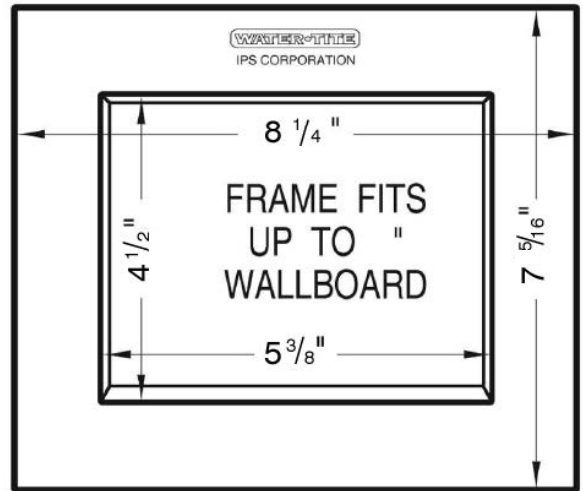
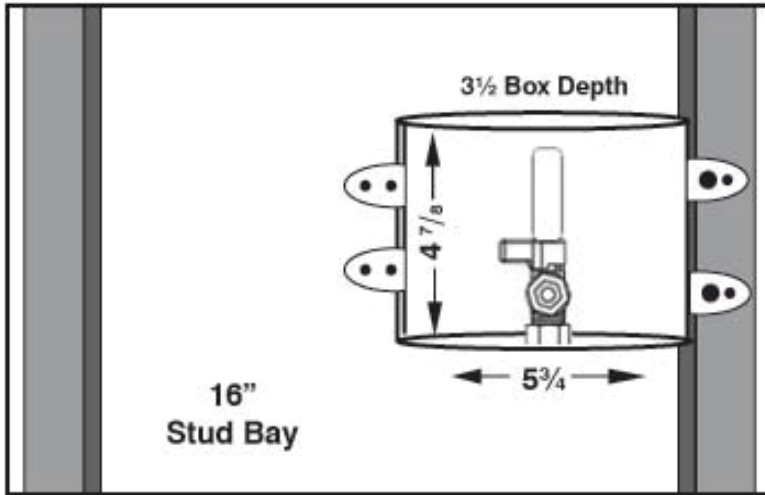


SPECIFICATION SUBMITTAL SHEET



PLASTIC ICE MAKER OUTLET BOXES with Lead Free Quarter Turn Arrester Valve



Specifications:

Furnish and install ice maker outlet box with integral lead free hammer arrester quarter turn valve. Unit shall be Water-Tite product code as manufactured by IPS Corporation. Valves comply with ASME.A112.18.1. Hammer arresters comply with ASSE 1010.

Item #	Product Description	Model #	Quantity
87978	Brass Lead Free Qtr Turn Valve* Installed - 1/2" Sweat Conx.	AB9700HA	10
87982	Brass Lead Free Qtr Turn Valve* Installed - 1/2" CPVC Conx.	AB9701HA	10
87980	Brass Lead Free Qtr Turn Valve* Installed - 1/2" Pex.	AB9702HA	10
87984	Brass Lead Free Qtr Turn Valve* w/Arrester Installed - 1/2" Wirsbo®	AB9711HA	10
Contractor Pack			
87979	Brass Lead Free Qtr Turn Valve* w/Arrester Installed - 1/2" Sweat Conx.	AB9700HACP	20
87983	Brass Lead Free Qtr Turn Valve* w/Arrester Installed - 1/2" CPVC Conx.	AB9701HACP	20
87981	Brass Lead Free Qtr Turn Valve* w/Arrester Installed - 1/2" PEX	AB9702HACP	20
87985	Brass Lead Free Qtr Turn Valve* w/Arrester Installed - 1/2" Wirsbo®	AB9711HACP	20

