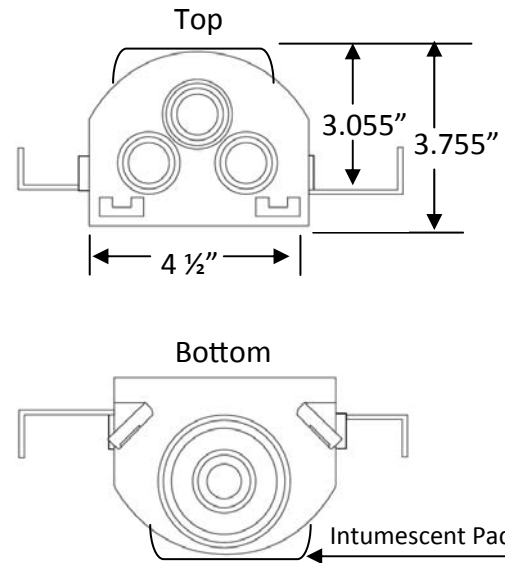
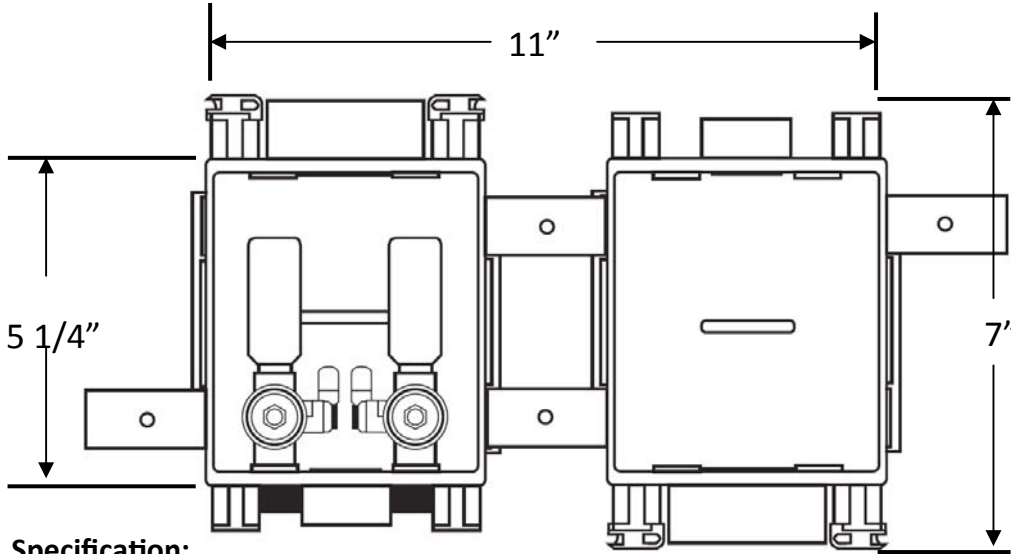




“FR” MultiBox™, Two-Box Washing Machine Outlet Box System with Quarter Turn Arrester Valves



Specification:

Furnish and install fire-rated MultiBox Two-Box Washing Machine Outlet Box System. Boxes may be inter-connected or installed separately. Valve box includes DWV drain to capture hose leaks, while the drain box contains 2" drain with integrated knock-out for DWV testing. Unit shall be Water-Tite product code checked below, as manufactured by IPS Corporation.

Box/Frame Material:

PVC & Intumescent Pad attached

Valves:

Qtr. Turn Arrester Valves with Sweat, CPVC, PEX or Wirsbo connection as checked below. Valves comply with ASME A112.18.1/CSA B125.1-05. Arresters complies with ASSE 1010.

Available Accessories:

- Water Softener Adapter
- Condensate Adapter
- 3 Universal Faceplates: Open, Solid and Louvered
- Stabilizer Bar

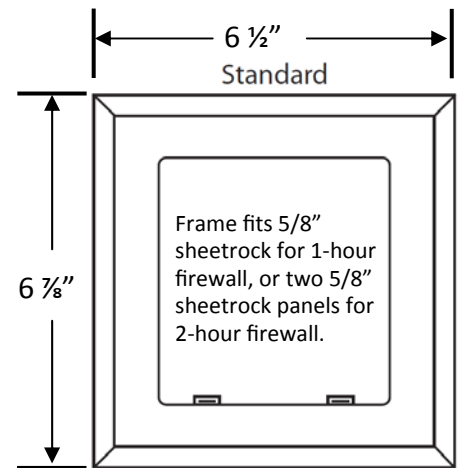
Certifications:



Boxes have been certified with the following ratings:

ASTM E814, 1 Hr (F), 41 Min (T) and 2 Hr (F), 101 Min (T)

CAN/ULC-S115-1 Hr (F/FH), 41 Min (FT/FTH) and 2 Hr (F/FH), 101 Min (FT/FTH)



✓	Product Code #	Model #	Product Description	Units/Case
	83060	MBFR1200HA	FR Two Box WMOB System, Qtr-turn Arrester Valves, 1/2" Sweat Connection	10
	83061	MBFR1201HA	FR Two Box WMOB System, Qtr-turn Arrester Valves, 1/2" CPVC Connection	10
	83062	MBFR1202HA	FR Two Box WMOB System, Qtr-turn Arrester Valves, 1/2" PEX Connection	10
	83063	MBFR1211HA	FR Two Box WMOB System, Qtr-turn Arrester Valves, 1/2" Wirsbo Connection	10
Contractor Packs				
	83064	MBFR1200HACP	FR Two Box WMOB System, Qtr-turn Arrester Valves, 1/2" Sweat Connection	10
	83065	MBFR1201HACP	FR Two Box WMOB System, Qtr-turn Arrester Valves, 1/2" CPVC Connection	10
	83066	MBFR1202HACP	FR Two Box WMOB System, Qtr-turn Arrester Valves, 1/2" PEX Connection	10
	83067	MBFR1211HACP	FR Two Box WMOB System, Qtr-turn Arrester Valves, 1/2" Wirsbo Connection	10

