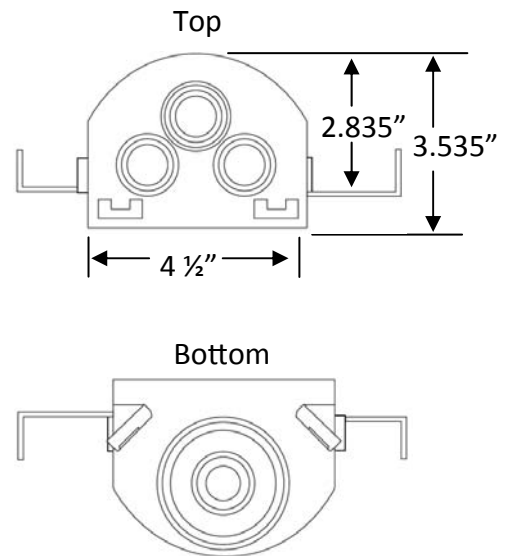
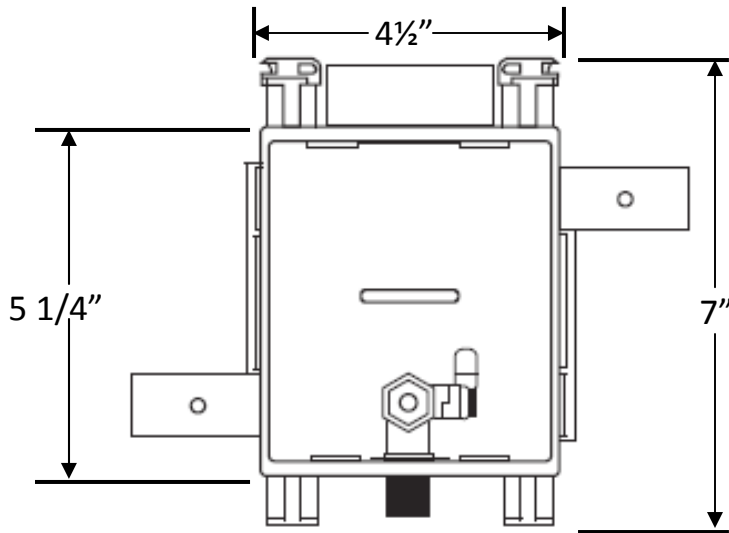




MultiBox™, Ice Maker Outlet Box System with Quarter Turn Valve



Specification:

Furnish and install MultiBox Ice Maker Outlet Box. Unit shall be Water-Tite product code checked below, as manufactured by IPS Corporation.

Box/Frame Material:

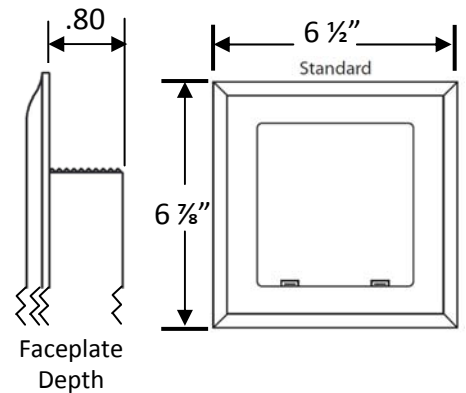
PVC

Valve:

Lead free Qtr. Turn Valve with Sweat, CPVC, PEX or Wirsbo connection as checked below. Valve complies with ASME A112.18.1/CSA B125.1-05, NSF61-NSF/ANSI 372, and meets California No Lead Plumbing Law.

Available Accessories:

3 Universal Faceplates: Open, Solid and Louvered
Stabilizer Bar



Certifications:



✓	Product Code #	Model #	Product Description	Units/Case
	82922	AB1200	IMOB, Qtr-turn Valve, 1/2" Sweat Connection	10
	82923	AB1201	IMOB, Qtr-turn Valve, 1/2" CPVC Connection	10
	82924	AB1202	IMOB, Qtr-turn Valve, 1/2" PEX Connection	10
	82925	AB1211	IMOB, Qtr-turn Valve, 1/2" Wirsbo Connection	10
Contractor Packs				
	82926	AB1200CP	IMOB, Qtr-turn Valve, 1/2" Sweat Connection, CP	10
	82927	AB1201CP	IMOB, Qtr-turn Valve, 1/2" CPVC Connection, CP	10
	82928	AB1202CP	IMOB, Qtr-turn Valve, 1/2" PEX Connection, CP	10
	82929	AB1211CP	IMOB, Qtr-turn Valve, 1/2" Wirsbo Connection, CP	10

