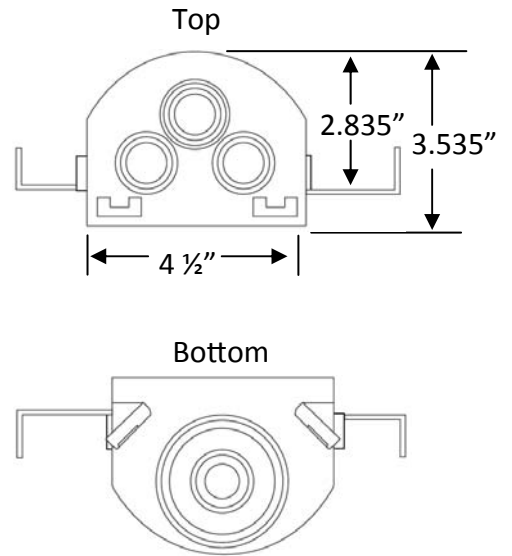
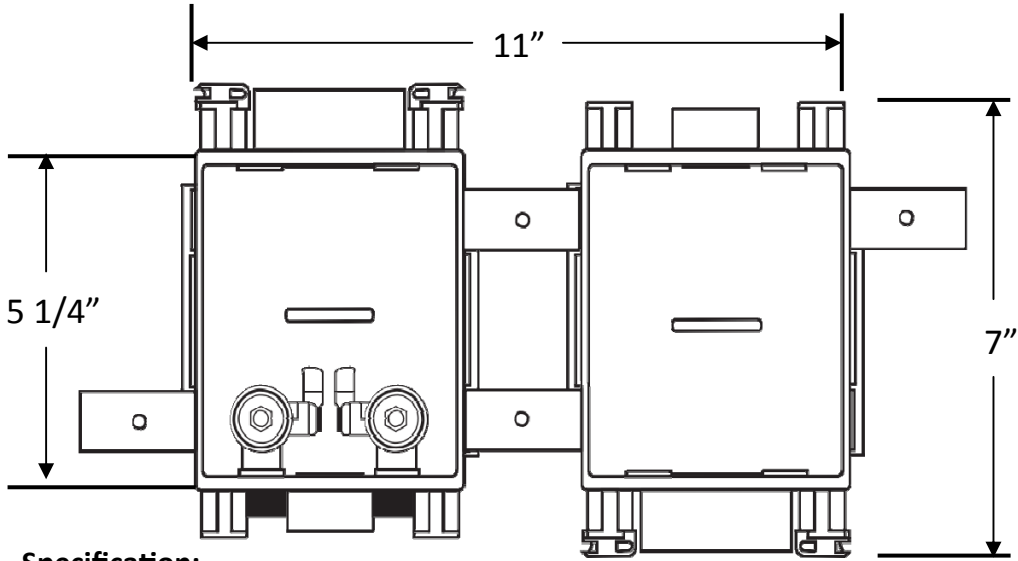




MultiBox™, Washing Machine Outlet Box & Aux. Drain Box System with Quarter Turn Valves



Specification:

Furnish and install MultiBox Washing Machine Outlet Box and Auxiliary Drain Box System. Boxes may be inter-connected or installed separately. Valve box includes DWV drain to capture hose leaks, while the drain box contains 2" drain with integrated knock-out for DWV testing. Unit shall be Water-Tite product code checked below, as manufactured by IPS Corporation.

Box/Frame Material:

PVC

Valves:

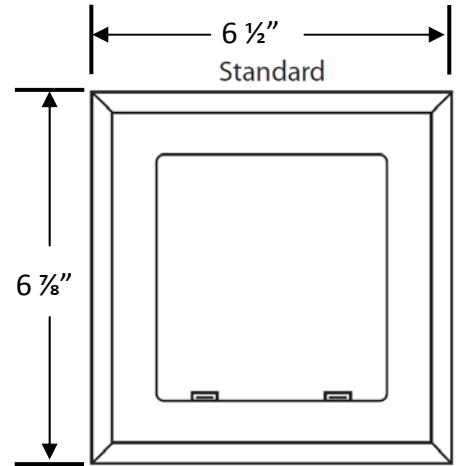
Qtr. Turn Valves with Sweat, CPVC, PEX or Wirsbo connection as checked below. Valves comply with ASME A112.18.1/CSA B125.1-05

Available Accessories:

- Water Softener Adapter
- Condensate Adapter
- 3 Universal Faceplates: Open, Solid and Louvered
- Stabilizer Bar

Certifications:

Box
 Valves



✓	Product Code #	Model #	Product Description	Units/Case
	82906	MB1200	Two Box WMOB System, Qtr-turn Valves, 1/2" Sweat Connection	10
	82907	MB1201	Two Box WMOB System, Qtr-turn Valves, 1/2" CPVC Connection	10
	82908	MB1202	Two Box WMOB System, Qtr-turn Valves, 1/2" PEX Connection	10
	82909	MB1211	Two Box WMOB System, Qtr-turn Valves, 1/2" Wirsbo Connection	10
Contractor Packs				
	82910	MB1200CP	Two Box WMOB System, Qtr-turn Valves, 1/2" Sweat Connection	10
	82911	MB1201CP	Two Box WMOB System, Qtr-turn Valves, 1/2" CPVC Connection	10
	82912	MB1202CP	Two Box WMOB System, Qtr-turn Valves, 1/2" PEX Connection	10
	82913	MB1211CP	Two Box WMOB System, Qtr-turn Valves, 1/2" Wirsbo Connection	10

