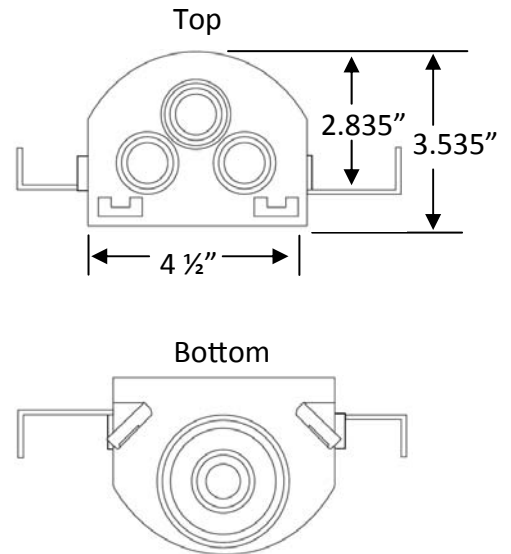
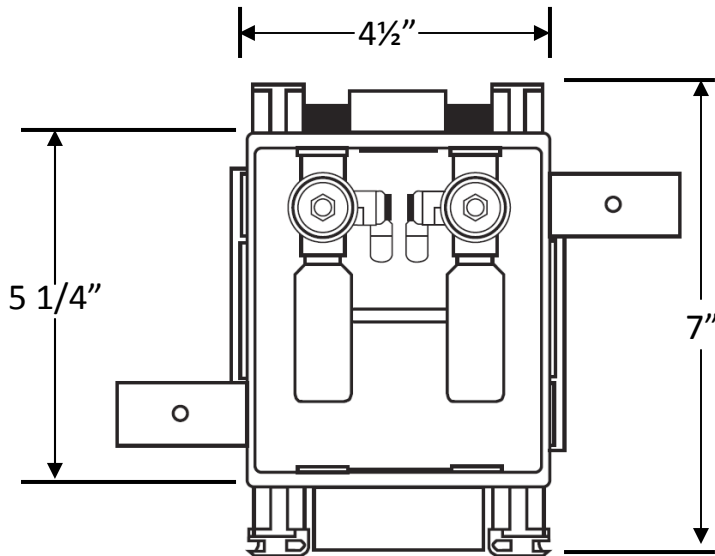




MultiBox™, Washing Machine Outlet Box System with Quarter Turn Valves and Hammer Arresters



Specification:

Furnish and install single MultiBox Washing Machine Outlet Box. Unit shall be Water-Tite product code checked below, as manufactured by IPS Corporation.

Box/Frame Material:

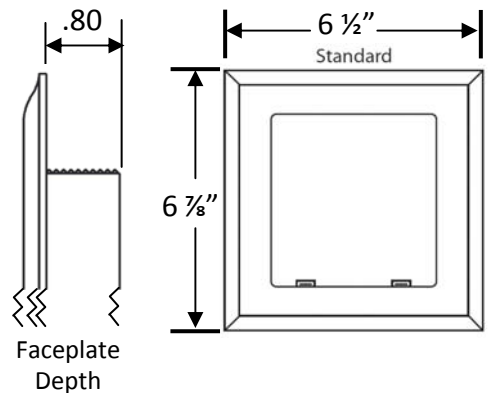
PVC

Valves:

Qtr. Turn Arrester Valves with Sweat, CPVC, PEX or Wirsbo connection as checked below. Valves comply with ASME A112.18.1/CSA B125.1-05. Arresters comply with ASSE 1010.

Available Accessories:

3 Universal Faceplates: Open, Solid and Louvered
Stabilizer Bar



Certifications:



✓	Product Code #	Model #	Product Description	Units/Case
	82898	MBS1200HA	WMOB, Qtr-turn Arrester Valves, 1/2" Sweat Connection	10
	82899	MBS1201HA	WMOB, Qtr-turn Arrester Valves, 1/2" CPVC Connection	10
	82900	MBS1202HA	WMOB, Qtr-turn Arrester Valves, 1/2" PEX Connection	10
	82901	MBS1211HA	WMOB, Qtr-turn Arrester Valves, 1/2" Wirsbo Connection	10
Contractor Packs				
	82902	MBS1200HACP	WMOB, Qtr-turn Arrester Valves, 1/2" Sweat Connection, CP	10
	82903	MBS1201HACP	WMOB, Qtr-turn Arrester Valves, 1/2" CPVC Connection, CP	10
	82904	MBS1202HACP	WMOB, Qtr-turn Arrester Valves, 1/2" PEX Connection, CP	10
	82905	MBS1211HACP	WMOB, Qtr-turn Arrester Valves, 1/2" Wirsbo Connection, CP	10

