

SPECIFICATION SUBMITTAL SHEET



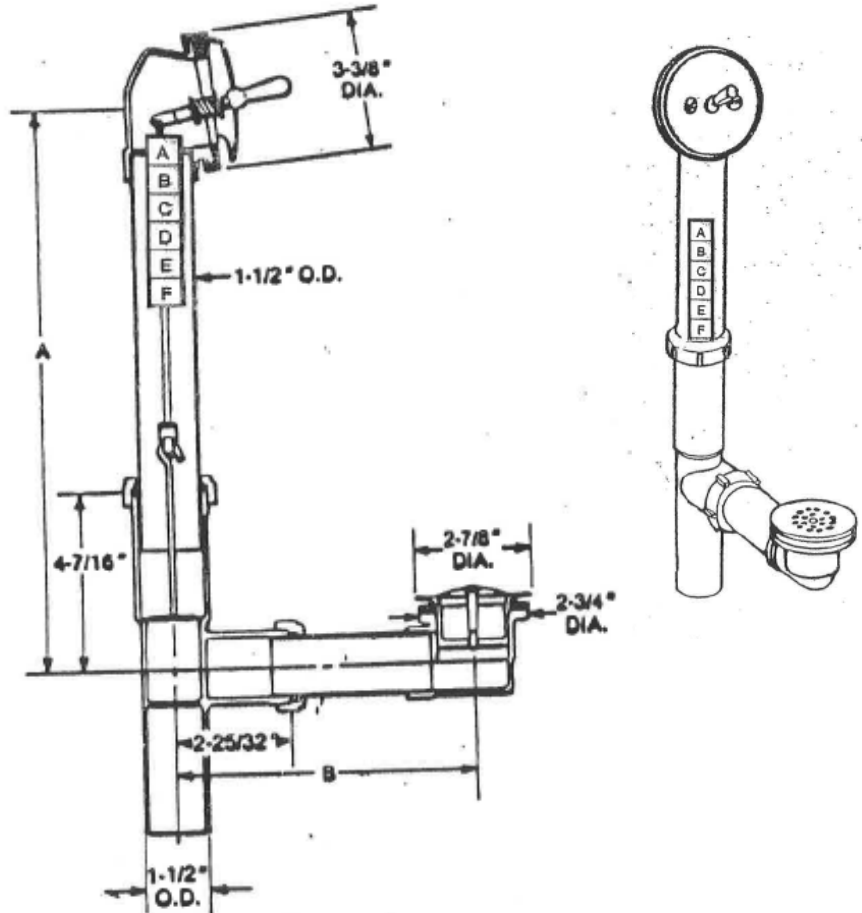
Tubular Plastic Waste & Overflow: Simple as ABC Trip

Job Name: _____
 Job Location: _____
 Engineer: _____
 Approval: _____

Contractor: _____
 Approval: _____
 Contractor's PO#: _____
 Representative: _____

Specifications

- Schedule 40 Plastic Tubular
- Full Kit
- Simple as ABC adjustable trip lever
- Adjust the pipe to the desired ABC marking on pipe and adjust trip lever to matching letter
- Available in ABS and PVC



✓	Product Code	Finish	Model
ABS			
	61199	Chrome	ABA14809
	61995	Satin Nickel	ABA1489SN
	61996	Venetian Bronze	ABA1489VB
	61202	Oil Rubbed Bronze	ABA1489ORB
PVC			
	61013	Chrome	ABA14859
	61206	Satin Nickel	ABA14899SN
	60705	Venetian Bronze	ABA14899VB
	60706	Oil Rubbed Bronze	ABA14899ORB

