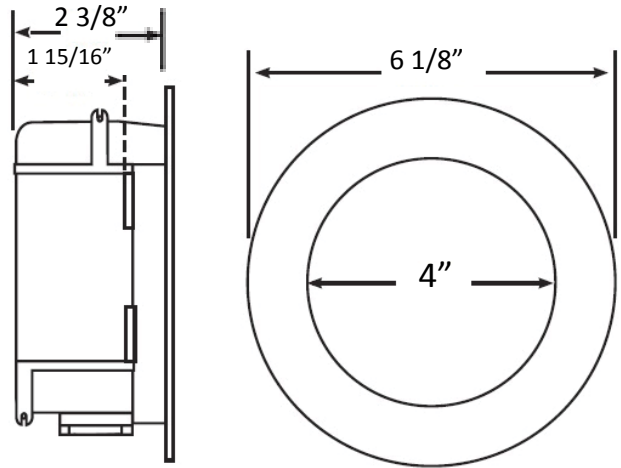
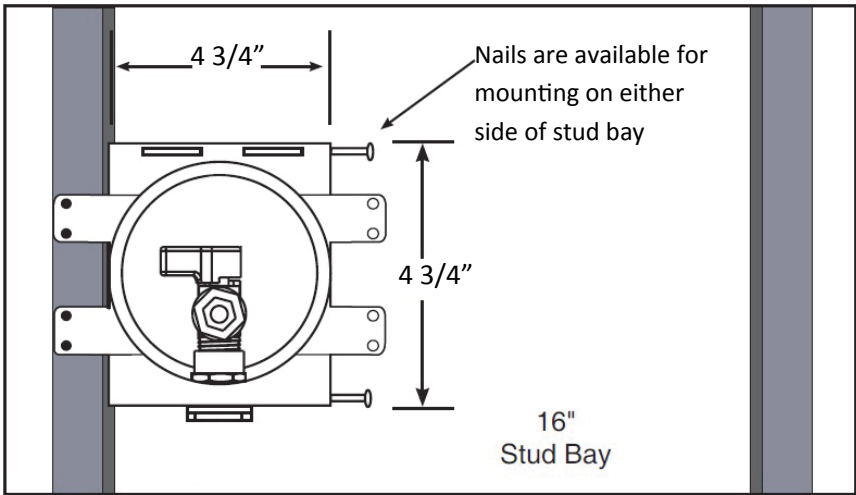




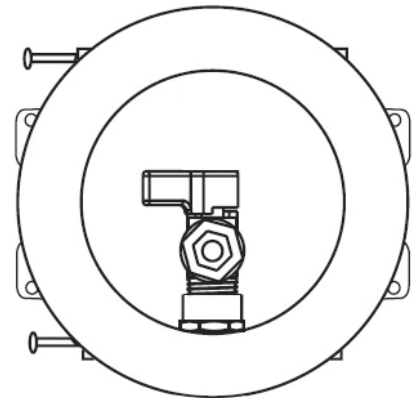
ROUND MINI ICE MAKER OUTLET BOXES
with Preloaded Mounting Nails and Lead Free Valve



Specifications:

Furnish and install miniature round ice maker outlet box with preloaded mounting nails and lead free qtr. turn valve. Unit shall be Water-Tite product code checked below, manufactured by IPS Corporation.

*Note: Valve is for illustration purposes only.
Specific valve may vary.*



✓	Product Code #	Product Description	Model #	Units/Case
	87989	1/2" Sweat Conx.	AB9200	10
	87991	1/2" PEX Conx.	AB9202	10
	87993	1/2" CPVC Conx.	AB9201	10
	87995	1/2" Wirsbo® Conx.	AB9211	10
	88399	1/2" Viega Conx.	AB9222	10
	88382	3/8" PEX Conx.	AB9238	10
Contractor Packs				
	87990	1/2" Sweat Conx.	AB9200CP	20
	87992	1/2" PEX Conx.	AB9202CP	20
	87994	1/2" CPVC Conx.	AB9201CP	20
	87996	1/2" Wirsbo® Conx.	AB9211CP	20
	88383	3/8" PEX Conx.	AB9238CP	20

